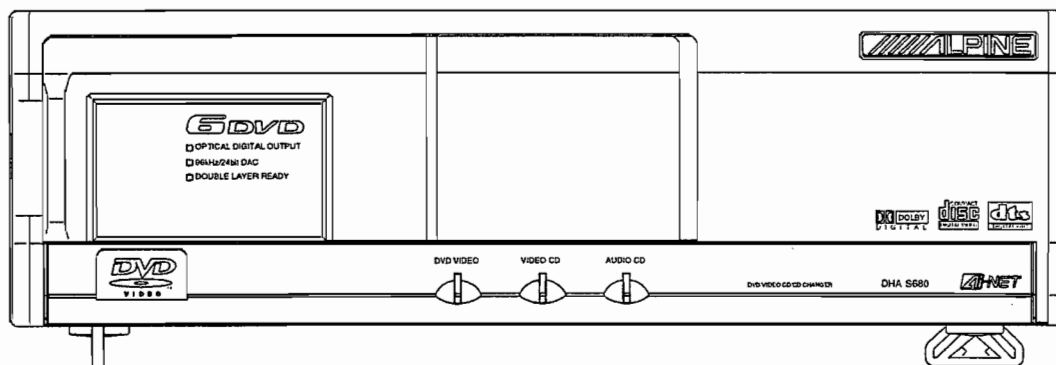


# ALPINE SERVICE MANUAL

## DVD/VIDEO CD/CD Changer



(DHA-S680)



# DHA-S680/DHA-S680P

## <Cautions for Safe Repair Work>



The following cautions will prevent accidents in the workplace and will ensure safe products

- The symbols indicate caution is needed to prevent injuries and damage to property



The symbols and their meanings follow

	<b>Warning</b>	If you ignore this symbol and handle the product incorrectly or unsafely, serious injury or death may result
	<b>Caution</b>	If you ignore this symbol and handle the product incorrectly or unsafely, injury or only material damage may result



- The following symbols indicate two levels of cautions.



	When you see this symbol, you have to be very careful
	When you see this symbol, you have to follow the instructions there



### **Warning**



	<b>Do not look squarely into the laser light coming from the pickup.</b> You may lose your sight.		<b>Fuse Caution</b> Always use a designated fuse Use of an incorrect fuse may result in a fire.
--	--	--	---


### **Caution**

	<b>Do not allow wiring to be caught in the screw/chassis</b> If wiring is caught in the screw/chassis, it may cause a short circuit, resulting in a fire		<b>Battery Caution</b> Use the designated battery Confirm the correct polarity and seat of the battery An incorrect battery or an improperly connected or seated battery may result in a fire.
---	---	---	---

	<b>High Temperature Caution</b> Touching the heat sink may cause severe burns		<b>Designated Parts Caution</b> Look up the part list and ensure that only designated parts are used to prevent problems or accidents.
---	--	---	---

	<b>Reverse Power Supply Connections or Misconnections Caution</b> Reverse power supply connections or misconnections may cause ignition problems and smoke may result.		<b>Wiring Caution</b> Ensure that the wiring is correct when rewiring to prevent problems with ignition/breakdown
---	---	---	--

	<b>Soldering Caution</b> Hot solder from solder splash may cause severe burns.		<b>Wear Gloves</b> Wear gloves to prevent electrical shocks or injury from the end face of the metal.
---	---	---	--



	<b>For the FDA laser standard, the following CAUTION label is stuck on each product</b> Please be careful for repair	<b>CAUTION-Laser radiation when open, DO NOT STARE INTO</b>
---	---	---

## <修理作業安全上の注意>



作業時の事故防止及び製品の安全確保のために、必ずお守りいただくことを説明致します。

●あなたや他の人々への危害や財産への損害を未然に防ぐために、絵表示をしています。



その表示と意味は次のようになっています。

 <b>警告</b>	この表示を無視して、誤った取り扱いをすると、人が死亡または重傷を負う可能性が想定される内容を示しています。
 <b>注意</b>	この表示を無視して、誤った取り扱いをすると、人が傷害を負う危険が想定される内容及び物的損害のみの発生が想定される内容を示しています。









●内容の種類により、次の表示で区分し、説明しています。

 この表示は、気を付けていただく内容です。
 この表示は、必ず実行していただく内容です。

### 警告

 ピックアップのレーザー光を直視しない。 レーザー光を直視すると、失明する恐れがあります。	 定められたヒューズを使用する。 火災や故障の原因となるので、必ず指定されたヒューズを使用する。
---	--

### 注意

 配線は挟み込まない。 ねじやシャーシに挟み込むとショートし、火災の原因になることがあります。	 電池は正しく使う。 指定の電池を使用して下さい。 極性を確認して入れる。間違って入れると故障や火災の原因になることがあります。
 高温注意。 ヒートシンクに触るとやけどの原因になることがあります。	 部品は指定のものを使用する。 部品表に記載してある部品を使用する。 故障の原因になることがあります。
 電源の逆/誤接続をしない。 発煙・発火や故障の原因になります。	 配線はもとどおりにする。 違った引回しにより、故障・発火などの原因になります。
 半田付け時に注意。 半田付けする時には、飛び散りによりやけどなどの原因になることがあります。	 修理時には手袋を着用する。 金属端面によるけがや、感電を防止するため必ず手袋を着用してください。

## Contents

Packing Assembly Parts List	5
Packing Method View	5
System Connections (North American Model Only)	6~14
(General Foreign Model Only)	15~23
(Japanese Model Only)	24~32
Specifications	33, 34
Extension Cable	35
Block Diagram	36
Parts Layout on P W Boards and Wiring Diagram	37~44
Schematic Diagram	45~66
Terminal Voltage of IC/TR	67~81
Description of IC Terminal	82~94
Electrical Parts List	95~106
Exploded View (Cabinet)	107, 108
Cabinet Assembly Parts List	109
DVD Changer Mechanism Assembly Parts List	110
Exploded View (DVD Changer Mechanism) (DT66V010)	111, 112

NOTE Due to continuing product improvement, specifications and designs are subject to change without notice

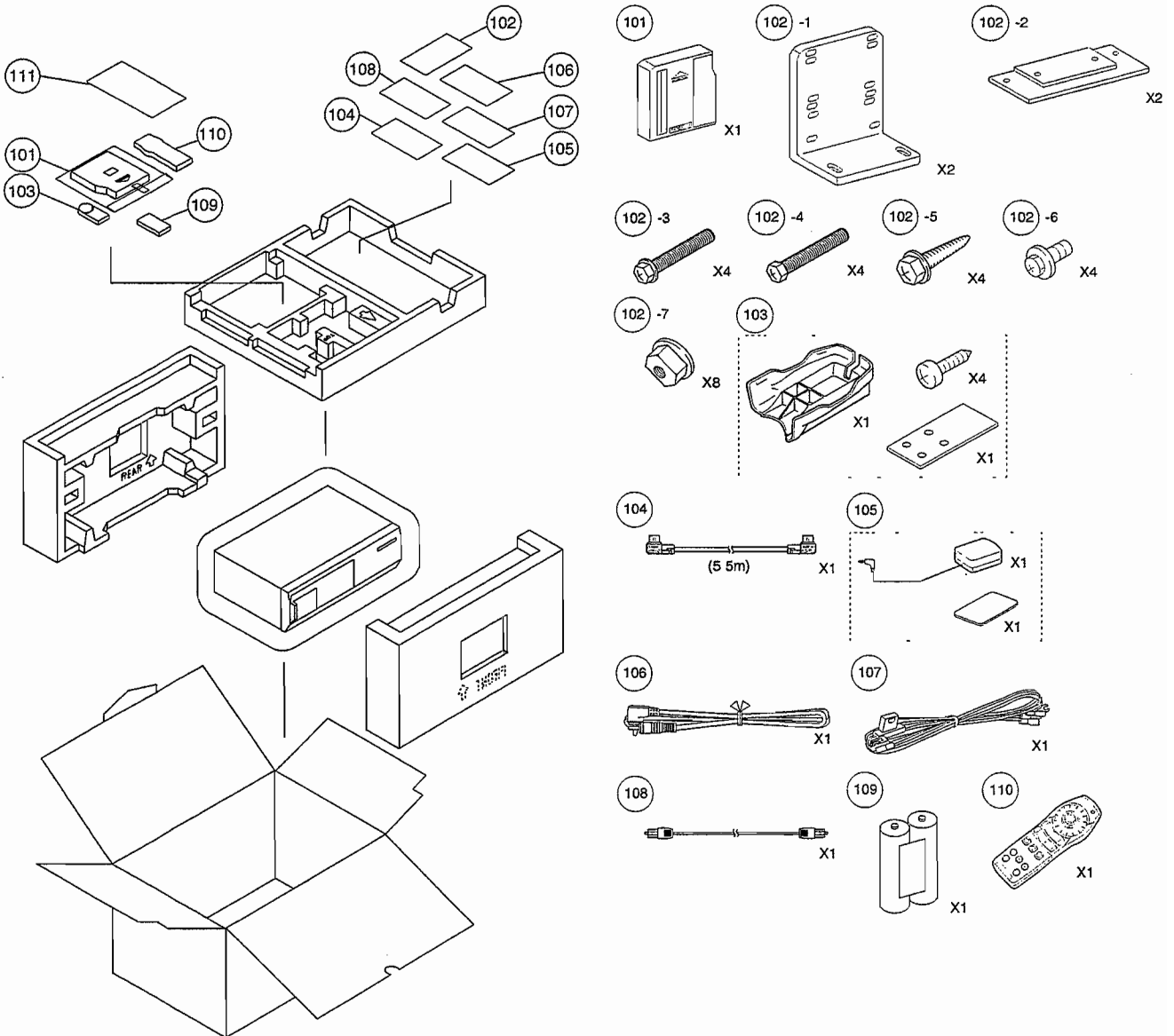
● 規格および外観は、改良の為、予告なく変更することがあります。

# Packing Assembly Parts List

Symbol No.	Part No	Description	Symbol No.	Part No	Description
101	01D61566W09	ASSY,MAGAZINE	105	01T15694Y04	ASSY,REMO L-JACK
102-1	07B71141W01	BKT,SIDE	106	01T45597Y01	ASSY,WIRE VIDEO(P-L)
102-2	07B60218W01	BKT,MTG BASE	107	01T25635Y03	ASSY,WIRE POWER(680)
102-3	03B90962F03	BOLT,HEX M6X50	108	01T45196W02	ASSY,CABLE OPT 5000
102-4	03B40155F10	SCR,MACH M6X25	109	60T55629W01	BAT,MGN R6P(NB)SUM-3
102-5	03S63857F05	SCR,TPG M5X15	110	01T25013Y08	UNIT,REMOCON RUE4168
102-6	03D40121T11	SCR,MCH(W/W)M4X8	○ 111	68P41262Y36	O/M AOAM
102-7	02B47353F06	NUT,HEX(FLANGE) M6	● 111	68P41262Y63	O/M AOEU
103	15T25003Y02	HOLDER,REMOCON DVD2	△ 111	68P41262Y64	O/M AOJ
104	01T45598Y01	ASSY,DIN AI(5 5/L-L)			

NOTE ○ For North American Model Only, ● For General Foreign Model Only,  
 △ For Japanese Model Only, Others Common

## Packing Method View

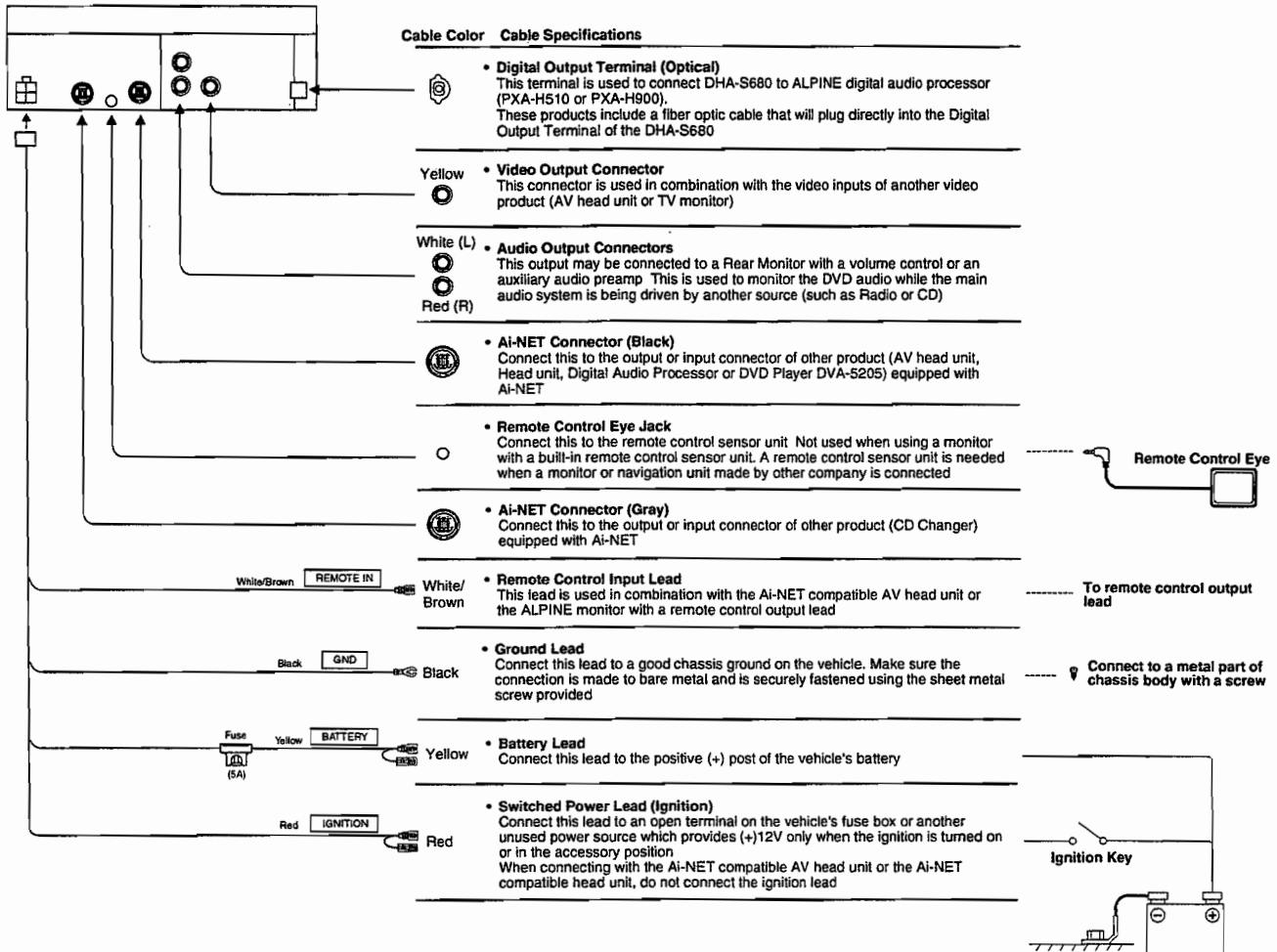


# DHA-S680/DHA-S680P

## System Connections

(North American Model Only)

### Connections

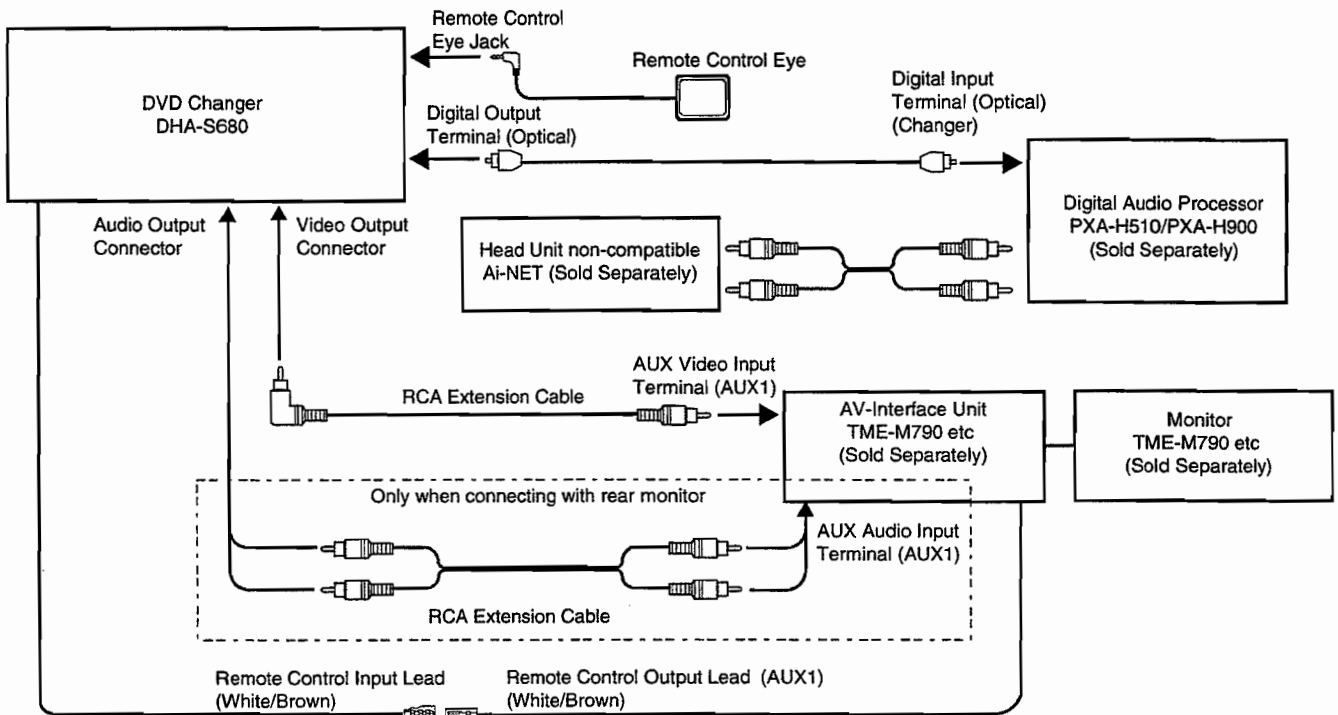


#### NOTES

- Connect properly.
- Never connect to parts other than the ones indicated in these operating instructions
- Also refer to the operating instructions of the other products in the system

## DHA-S680/DHA-S680P

### • Connecting an non Ai-NET compatible Head Unit, Digital Audio Processor (PXA-H510/PXA-H900) and TV Monitor



#### Setting of DHA-S680

The DHA-S680's system settings must be made after connections are completed

Setting Item	Setting
Ai-NET setting	CD-CHG
H.U.CONTROL setting \	OFF

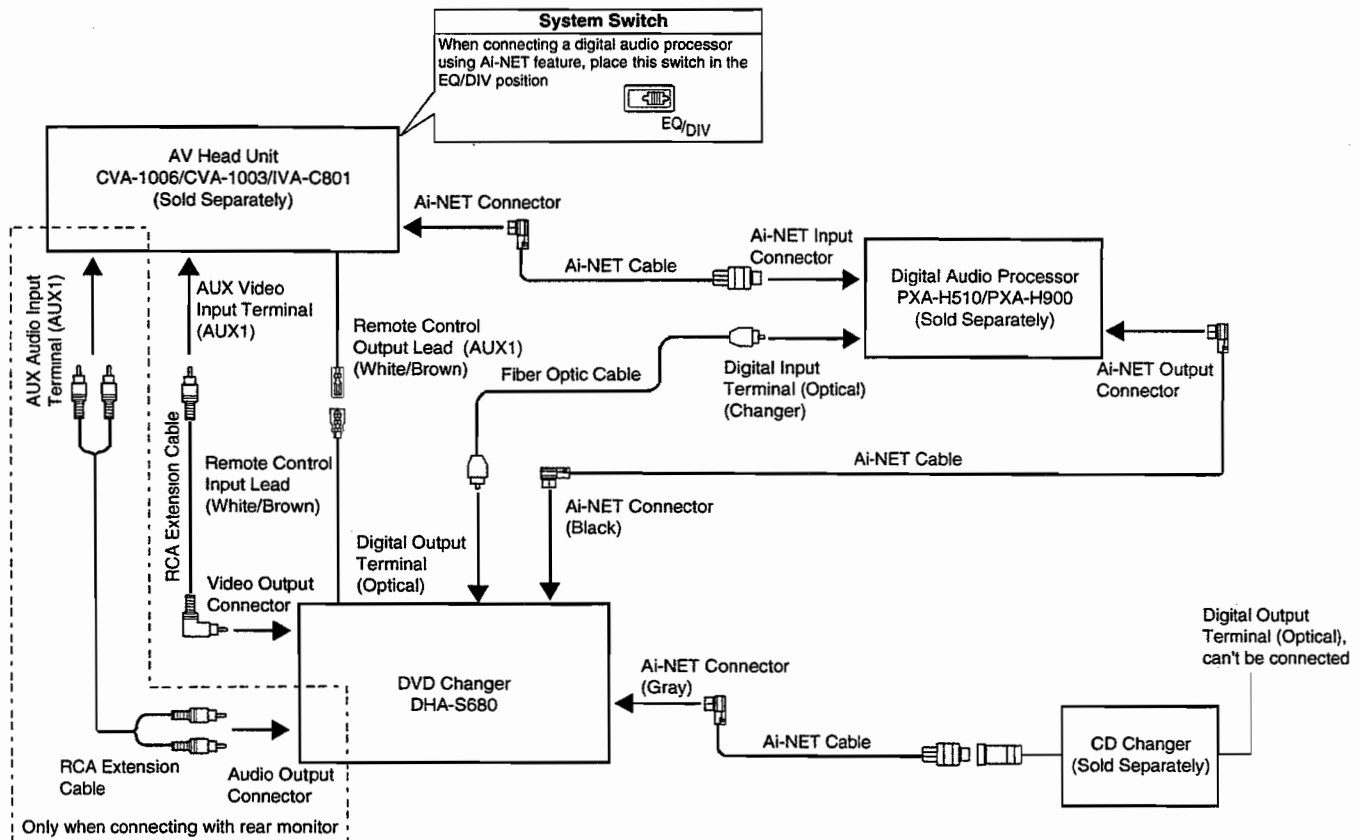
Before fixing the unit in place, refer to page 48 to change the system setting

#### NOTES

- When using in a system with a head unit that is not Ai-NET compatible and a digital audio processor, only connect the DHA-S680 and digital audio processor using an optical fiber cable. Do not connect an Ai-NET output cable, or it will not be possible to control the digital audio processor from the DHA-S680
- When connecting only to a digital audio processor (not to a head unit that is not Ai-NET compatible), it is possible to use both an optical fiber cable and an Ai-NET output cable. In this case the digital audio processor can be controlled from the DHA-S680
- When connecting another brand of TV monitor, there is no need to connect the remote control input cord (white/brown). Use the remote control sensor unit included with the DHA-S680
- Be sure to connect the switched Power Lead (Ignition)
- Also refer to the operating instructions of the other products in the system

## DHA-S680/DHA-S680P

- Connecting an Ai-NET compatible AV Head Unit (AV Head Units available after January 2001: CVA-1006/CVA-1003/IVA-C801 etc.), and Digital Audio Processor (PXA-H510/PXA-H900)



### Setting of DHA-S680

The DHA-S680's system settings must be made after connections are completed

Setting Item	Setting
Ai-NET setting	DVD-CHG
H U CONTROL setting	ON

Before fixing the unit in place, refer to page 48 to change the system setting

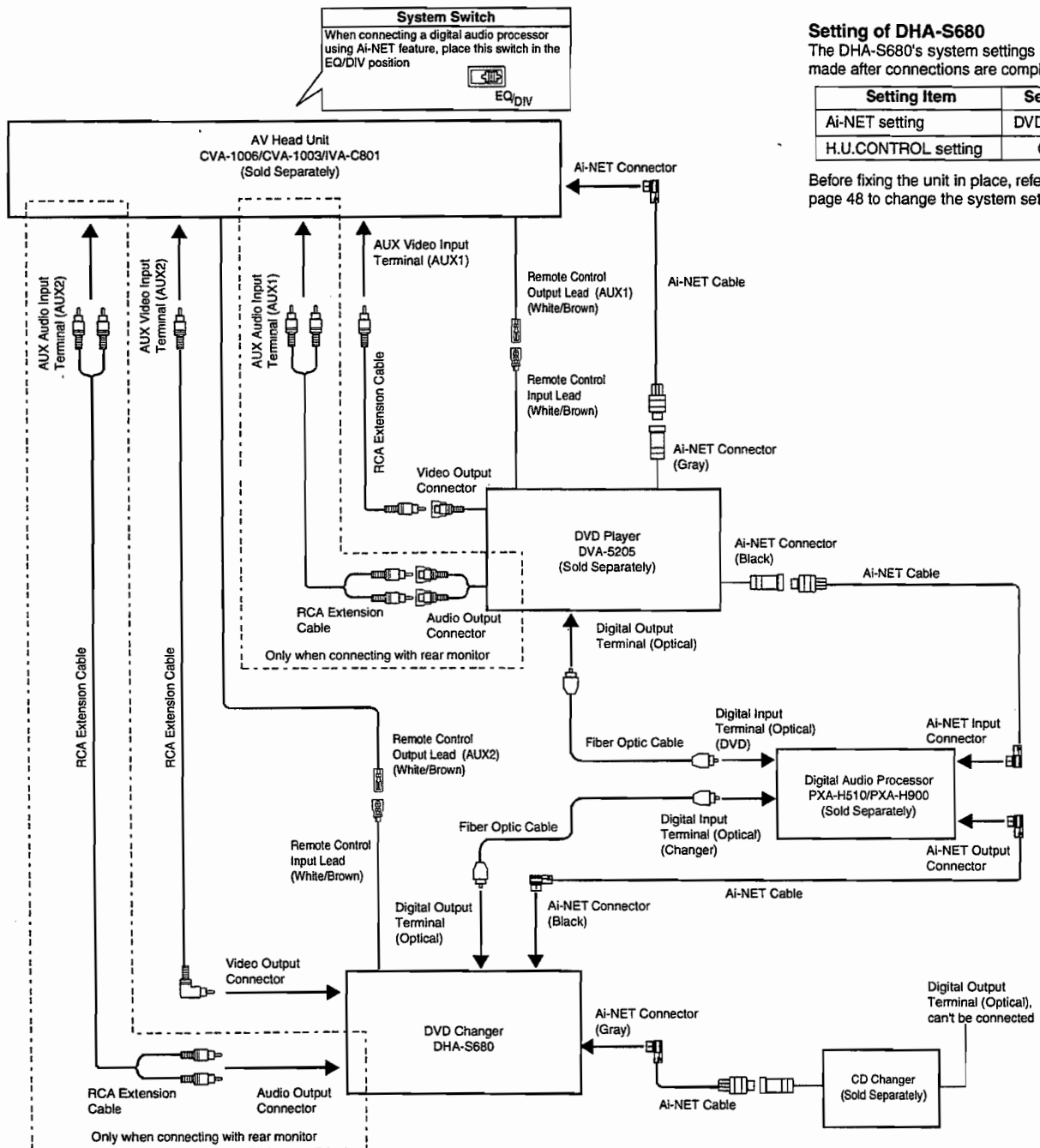
### NOTES

- Be sure to switch the head unit's system switch before turning the power on
- Be sure to connect the DHA-S680's video output/audio output (when using a rear monitor) to the AUX1 of AV head unit
- The switched Power Lead (Ignition) connection is not needed
- Also refer to the operating instructions of the other products in the system
- To connect a rear monitor, connect to the front monitor's RCA output (TV Tuner Box)
- When a CD changer is connected to the DHA-S680, inserting a magazine into the DHA-S680 while the CD changer is playing will result in the sound of the CD changer being muted because of the DHA-S680 disc check being performed
- When connecting the optical digital output to a digital audio processor, be sure to make connection to the CHANGER connectors of the digital audio processor optical digital input connectors This arrangement allows you to enjoy Dolby Digital 5.1 Channel Surround and other effects even when connection is made to the CHANGER connectors
- When combining the DHA-S680 and the CD changer (CHA-S624), the optical digital output of the CHA-S624 cannot be used



## DHA-S680/DHA-S680P

- **Connecting an Ai-NET compatible AV Head Unit (AV Head Units available after January 2001: CVA-1006/CVA-1003/IVA-C801 etc.), DVD Player (DVA-5205) and Digital Audio Processor (PXA-H510/PXA-H900)**

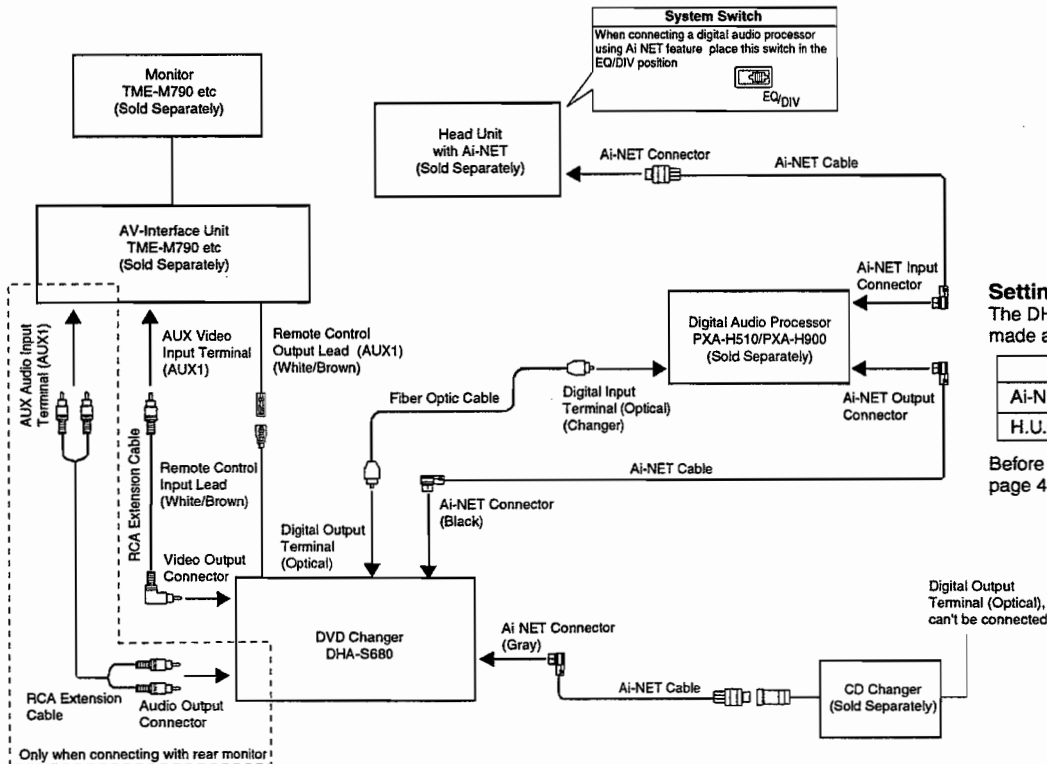


### NOTES

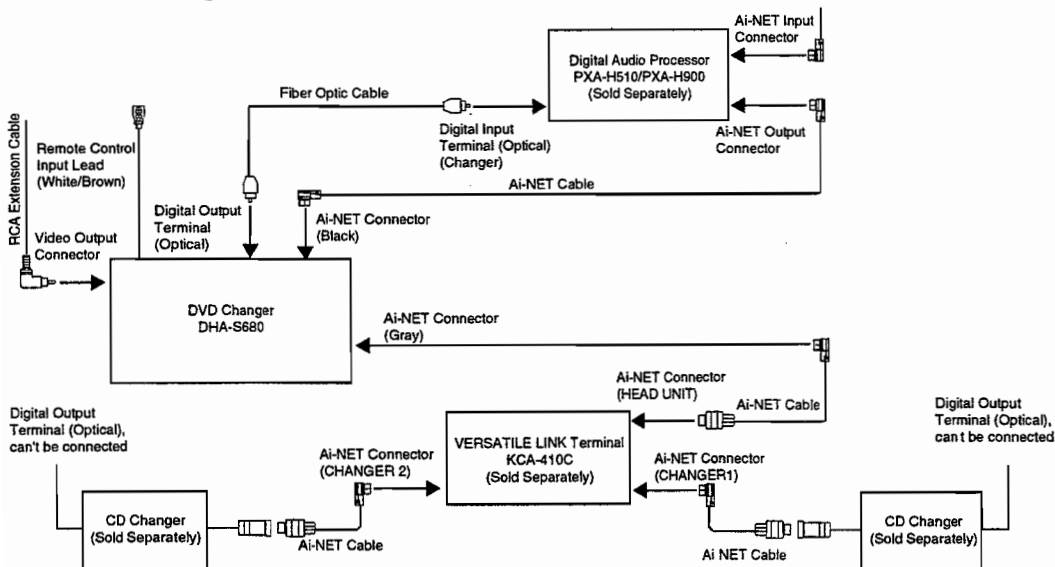
- Be sure to switch the head unit's system switch before turning the power on
- When connecting the DVD player (DVA-5205), be sure to connect the DVA-5205's video output/audio output (when using a rear monitor) to the AV head unit's AUX1. Connect the DHA-S680's video output to the AUX2
- The switched Power Lead (Ignition) connection is not needed
- Also refer to the operating instructions of the other products in the system
- To connect a rear monitor, connect to the front monitor's RCA output (TV Tuner Box)
- When a CD changer is connected to the DHA-S680, inserting a magazine into the DHA-S680 while the CD changer is playing will result in the sound of the CD changer being muted because of the DHA-S680 disc check being performed
- When connecting the optical digital output to a digital audio processor, be sure to make connection to the CHANGER connectors of the digital audio processor optical digital input connectors. This arrangement allows you to enjoy Dolby Digital 5.1 Channel Surround and other effects even when connection is made to the CHANGER connectors
- When combining the DHA-S680 and the CD changer (CHA-S624), the optical digital output of the CHA-S624 cannot be used

## DHA-S680/DHA-S680P

- Connecting an Ai-NET compatible Head Unit (Head Unit available after January 2001: CDA-7990/CDA-7977/CDA-7878 etc.), Digital Audio Processor (PXA-H510/PXA-H900) and TV Monitor



- Connecting more than 2 CD Changers using the Versatile Link Terminal KCA-410C

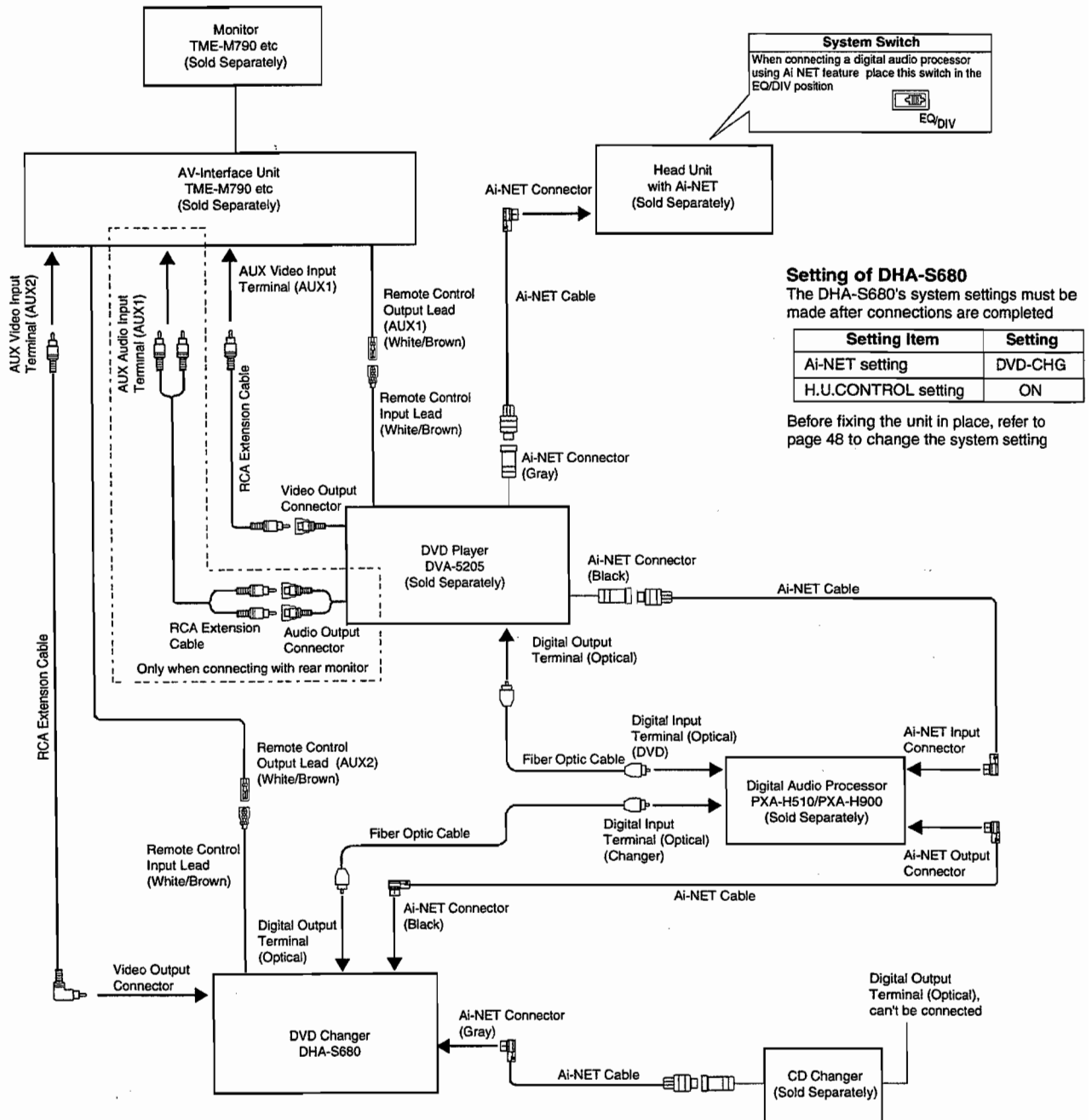


### NOTES

- Be sure to switch the head unit's system switch before turning the power on
- The switched Power Lead (Ignition) connection is not needed
- Also refer to the operating instructions of the other products in the system
- To connect a rear monitor, connect to the front monitor's RCA output (TV Tuner Box)
- When a CD changer is connected to the DHA-S680, inserting a magazine into the DHA-S680 while the CD changer is playing will result in the sound of the CD changer being muted because of the DHA-S680 disc check being performed
- When connecting the optical digital output to a digital audio processor, be sure to make connection to the CHANGER connectors of the digital audio processor optical digital input connectors. This arrangement allows you to enjoy Dolby Digital 5.1 Channel Surround and other effects even when connection is made to the CHANGER connectors
- When combining the DHA-S680 and the CD changer (CHA-S624), the optical digital output of the CHA-S624 cannot be used

## DHA-S680/DHA-S680P

- Connecting an Ai-NET compatible Head Unit (Head Unit available after January 2001: CDA-7990/CDA-7977/CDA-7878 etc.), DVD Player (DVA-5205), Digital Audio Processor (PXA-H510/PXA-H900) and TV Monitor

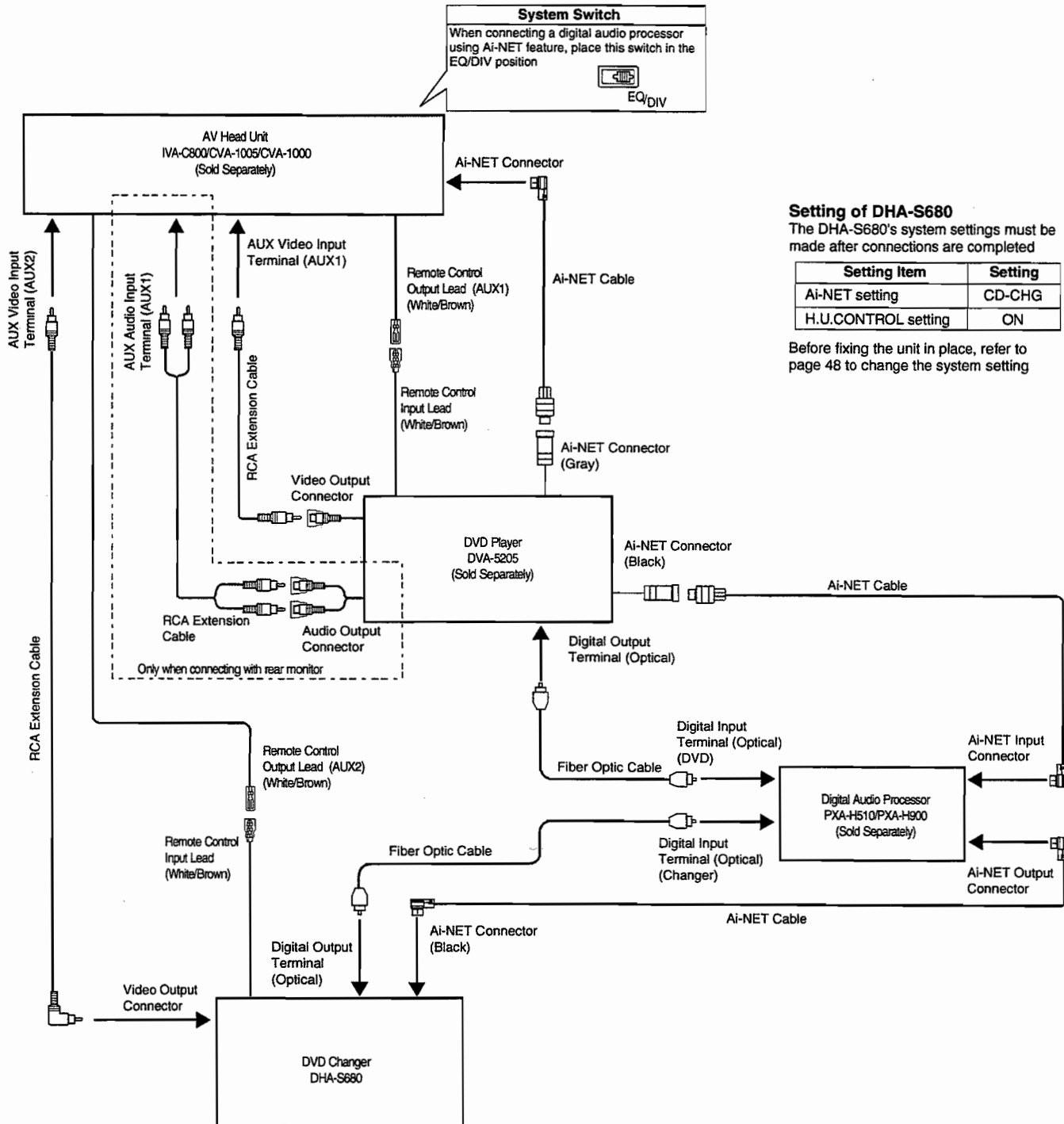


### NOTES

- Be sure to switch the head unit's system switch before turning the power on
- When connecting the DVD player (DVA-5205), be sure to connect the DVA-5205's video output/audio output (when using a rear monitor) to the AV head unit's AUX1. Connect the DHA-S680's video output to the AUX2
- The switched Power Lead (Ignition) connection is not needed
- Also refer to the operating instructions of the other products in the system
- To connect a rear monitor, connect to the front monitor's RCA output (TV Tuner Box)
- When a CD changer is connected to the DHA-S680, inserting a magazine into the DHA-S680 while the CD changer is playing will result in the sound of the CD changer being muted because of the DHA-S680 disc check being performed
- When connecting the optical digital output to a digital audio processor, be sure to make connection to the CHANGER connectors of the digital audio processor optical digital input connectors. This arrangement allows you to enjoy Dolby Digital 5.1 Channel Surround and other effects even when connection is made to the CHANGER connectors
- When combining the DHA-S680 and the CD changer (CHA-S624), the optical digital output of the CHA-S624 cannot be used

## DHA-S680/DHA-S680P

- Connecting an Ai-NET compatible AV Head Unit (IVA-C800/CVA-1005/CVA-1000), DVD Player (DVA-5205) and Digital Audio Processor (PXA-H510/PXA-H900)



### NOTES

- Be sure to switch the head unit's system switch before turning the power on
- The switched Power Lead (Ignition) connection is not needed
- Also refer to the operating instructions of the other products in the system
- To connect a rear monitor, connect to the front monitor's RCA output (TV Tuner Box)
- When connecting the optical digital output to a digital audio processor, be sure to make connection to the CHANGER connectors of the digital audio processor optical digital input connectors. This arrangement allows you to enjoy Dolby Digital 5.1 Channel Surround and other effects even when connection is made to the CHANGER connectors
- Even when the DHA-S680 Ai-NET settings are set to CD-CHG, making connection of the optical digital output to the digital audio processor allows you to enjoy Dolby Digital 5.1 Channel Surround and other effects
- The Versatile Link Terminal (KCA-410C) cannot be connected

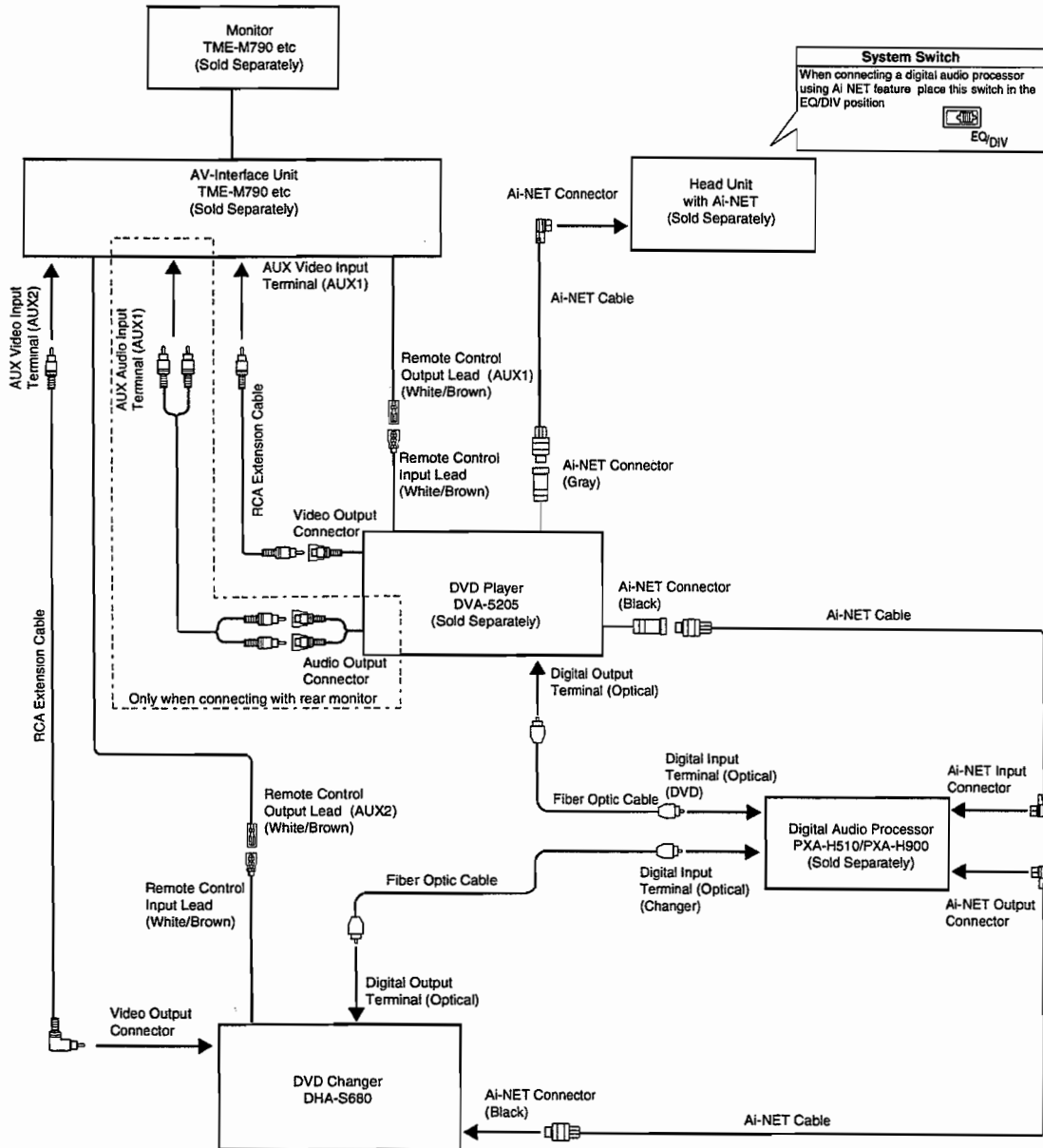
# • Precautions when Connecting and Using the DHA-S680 with the Versatile Link Terminal (KCA-410C)

When connecting the DHA-S680 with the Versatile Link Terminal (KCA-410C), change the system settings of the DHA-S680 according to the following procedure before connecting the KCA-410C

## 1 Make the connections for making the DHA-S680 system settings

**NOTE**

After connecting the DHA-S680 to the KCA-410C, DHA-S680 system setting changes will not be possible.



## 2 Refer to "Changing the System Settings" (page 48) to change the system

- Ai-NET setting CD-CHG
- H U CONTROL ON

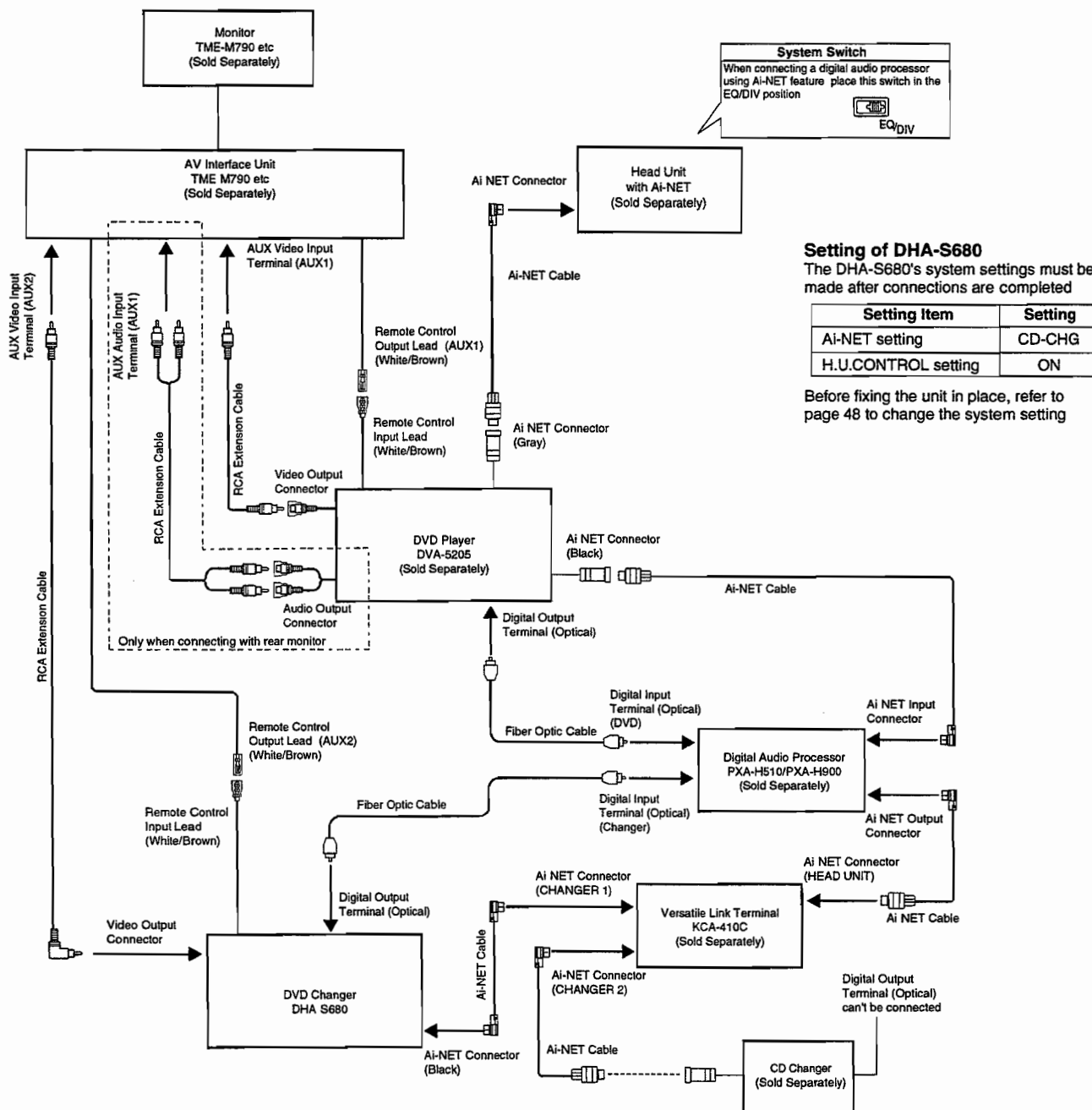
## 3 Once the system settings have been changed and the operation check completed remove the battery, refer to Page 57, and connect the Versatile Link Terminal (KCA-410C)

**NOTES**

- When using the Versatile Link Terminal (KCA-410C) and connecting the DHA-S680, connect the DHA-S680 Ai-NET cable to the CHANGER1 connector of the KCA-410C
- When combining the DHA-S680 and the CD changer (CHA-S624), the optical digital output of the CHA-S624 cannot be used

## DHA-S680/DHA-S680P

- Connecting an Ai-NET compatible Head Unit (Head Units available after January 2001, except CDA-7990), DVD Player (DVA-5205), Digital Audio Processor (PXA-H510/PXA-H900) and TV Monitor

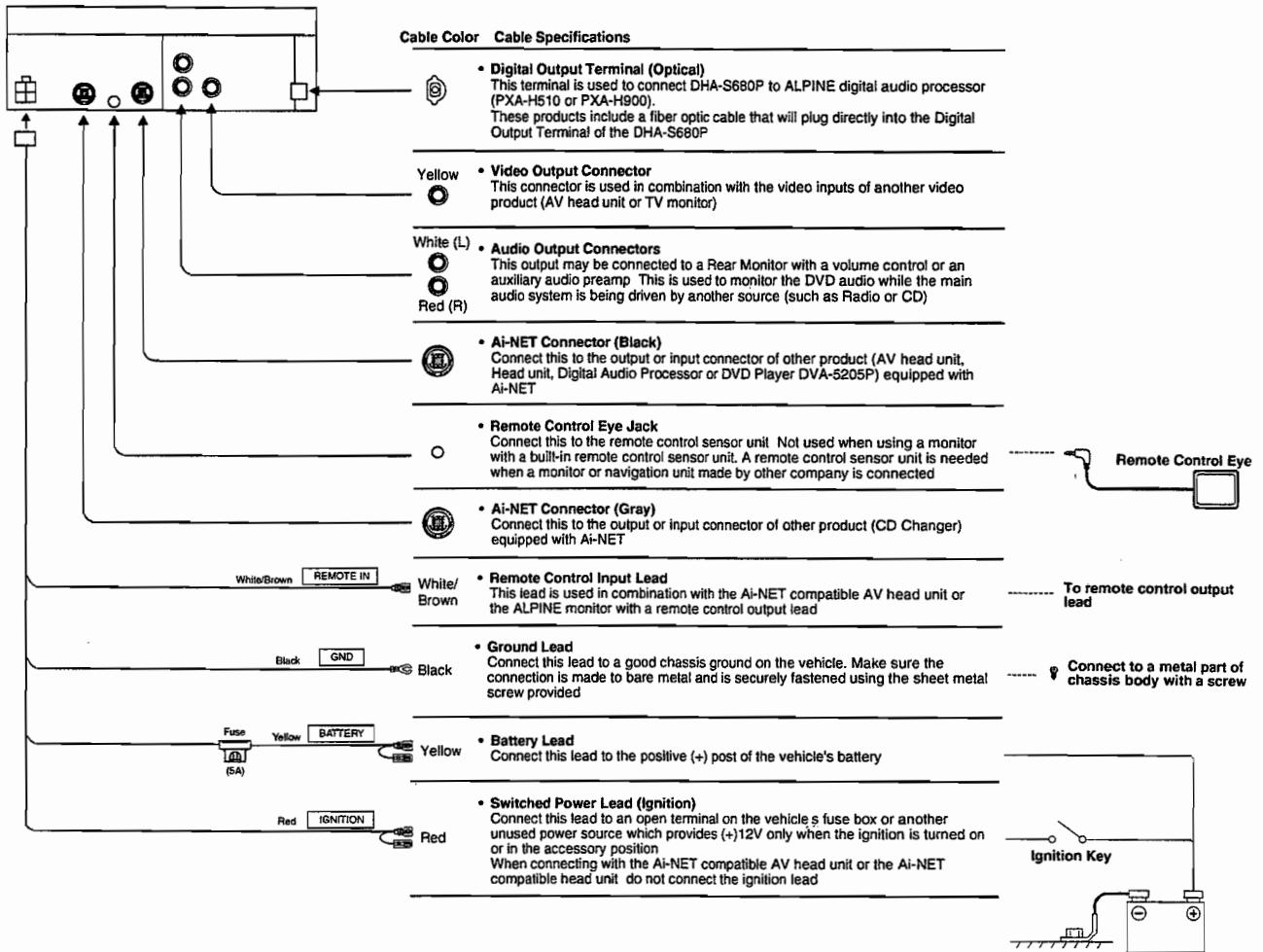


### NOTES

- Be sure to switch the head unit's system switch before turning the power on
- When connecting the DVD player (DVA-5205), be sure to connect the DVA-5205's video output/audio output (when using a rear monitor) to the TV monitor's AUX1. Connect the DHA-S680's video output to the AUX2
- The switched Power Lead (Ignition) connection is not needed
- Also refer to the operating instructions of the other products in the system
- To connect a rear monitor, connect to the front monitor's RCA output (TV Tuner Box)
- When connecting the optical digital output to a digital audio processor, be sure to make connection to the CHANGER connectors of the digital audio processor optical digital input connectors. This arrangement allows you to enjoy Dolby Digital 5.1 Channel Surround and other effects even when connection is made to the CHANGER connectors
- When using the Versatile Link Terminal (KCA-410C) and connecting the DHA-S680, connect the DHA-S680 Ai-NET cable to the CHANGER1 connector of the KCA-410C. Before connecting KCA-410C, change the system setting (page 56) of DHA-S680
- Even when the DHA-S680 Ai-NET settings are set to CD-CHG, making connection of the optical digital output to the digital audio processor allows you to enjoy Dolby Digital 5.1 Channel Surround and other effects
- When combining the DHA-S680 and the CD changer (CHA-S624), the optical digital output of the CHA-S624 cannot be used

(General Foreign Model Only)

# Connections

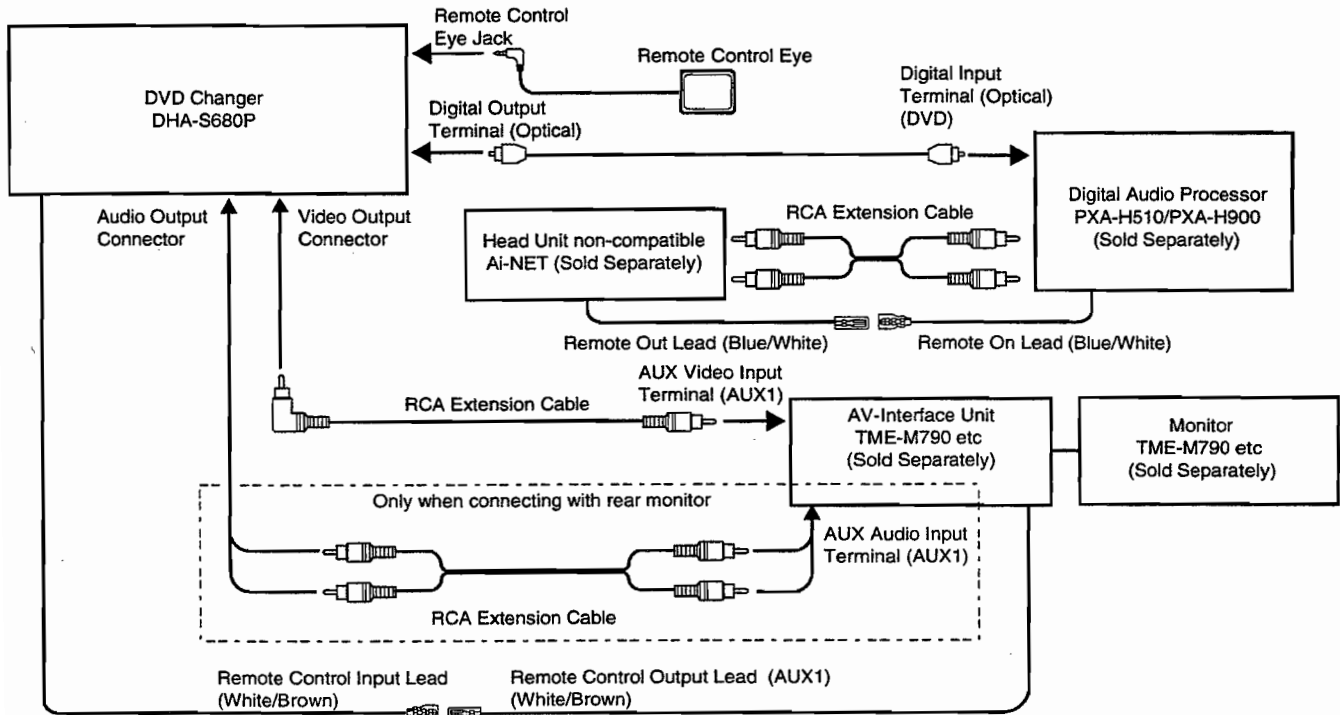


## NOTES

- Connect properly.
- Never connect to parts other than the ones indicated in these operating instructions
- Also refer to the operating instructions of the other products in the system

## DHA-S680/DHA-S680P

- Connecting a non Ai-NET compatible Head Unit, Digital Audio Processor (PXA-H510/PXA-H900) and TV Monitor



### Setting of DHA-S680P

The DHA-S680P's system settings must be made after connections are completed. Before fixing the unit in place, refer to page 48 to change the system setting.

Setting Item	Setting
Ai-NET setting	CD-CHG
H.U.CONTROL setting	OFF

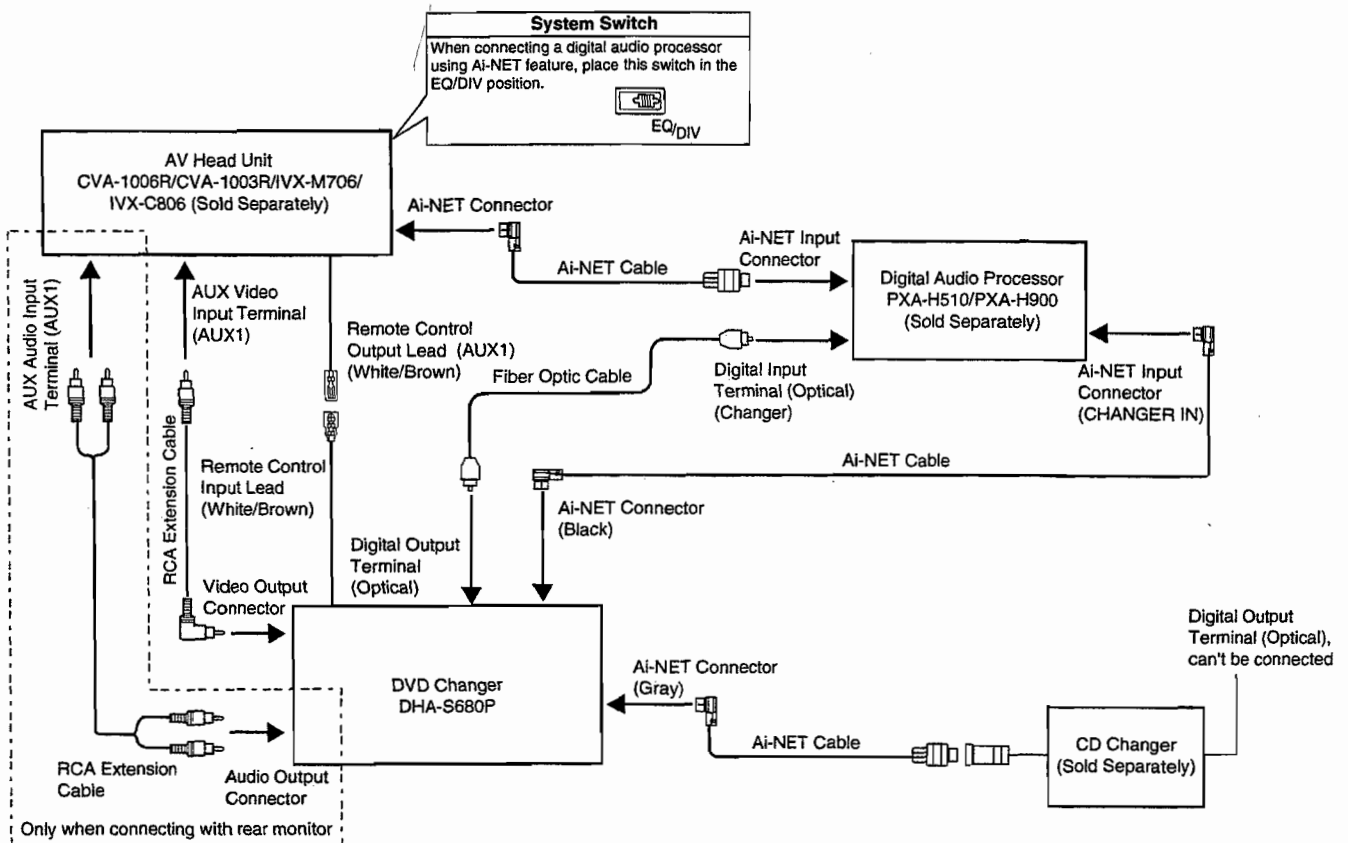
### NOTES

- When using in a system with a head unit that is not Ai-NET compatible and a digital audio processor, only connect the DHA-S680P and digital audio processor using an optical fiber cable. Do not connect an Ai-NET output cable, or it will not be possible to control the digital audio processor from the DHA-S680P.
- When connecting only to a digital audio processor (not to a head unit that is not Ai-NET compatible), it is possible to use both an optical fiber cable and an Ai-NET output cable. In this case the digital audio processor can be controlled from the DHA-S680P.
- When connecting another brand of TV monitor, there is no need to connect the remote control input cord (white/brown). Use the remote control sensor unit included with the DHA-S680P.
- Be sure to connect the switched Power Lead (Ignition).
- Also refer to the operating instructions of the other products in the system.



## DHA-S680/DHA-S680P

- **Connecting an Ai-NET compatible AV Head Unit (AV Head Units available after January 2001: CVA-1006R/CVA-1003R/IVX-M706/IVX-C806 etc.), and Digital Audio Processor (PXA-H510/PXA-H900)**



**Setting of DHA-S680P**  
The DHA-S680P's system settings must be made after connections are completed. Before fixing the unit in place, refer to page 48 to change the system setting.

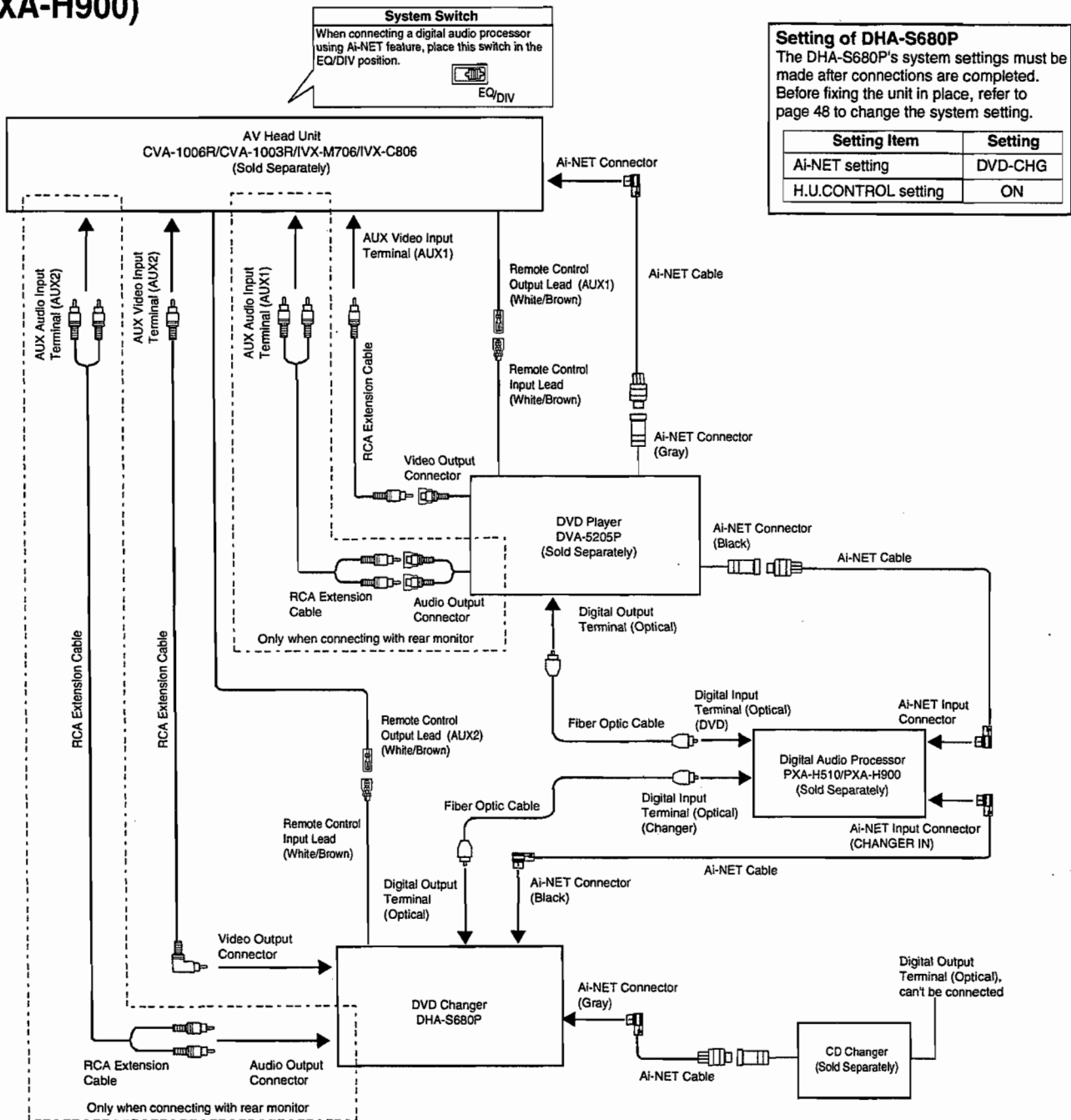
Setting Item	Setting
Ai-NET setting	DVD-CHG
H.U.CONTROL setting	ON

### NOTES

- Be sure to switch the head unit's system switch before turning the power on.
- Be sure to connect the DHA-S680P's video output/audio output (when using a rear monitor) to the AUX1 of AV head unit.
- The switched Power Lead (Ignition) connection is not needed.
- Also refer to the operating instructions of the other products in the system.
- To connect a rear monitor, connect to the front monitor's RCA output (TV Tuner Box).
- When a CD changer is connected to the DHA-S680P, inserting a magazine into the DHA-S680P while the CD changer is playing will result in the sound of the CD changer being muted because of the DHA-S680P disc check being performed.
- When connecting the optical digital output to a digital audio processor, be sure to make connection to the CHANGER connectors of the digital audio processor optical digital input connectors. This arrangement allows you to enjoy Dolby Digital 5.1 Channel Surround and other effects even when connection is made to the CHANGER connectors.
- When combining the DHA-S680P and the CD changer (CHA-S624), the optical digital output of the CHA-S624 cannot be used.

## DHA-S680/DHA-S680P

- Connecting an Ai-NET compatible AV Head Unit (AV Head Units available after January 2001: CVA-1006R/CVA-1003R/IVX-M706/IVX-C806 etc.), DVD Player (DVA-5205P) and Digital Audio Processor (PXA-H510/PXA-H900)

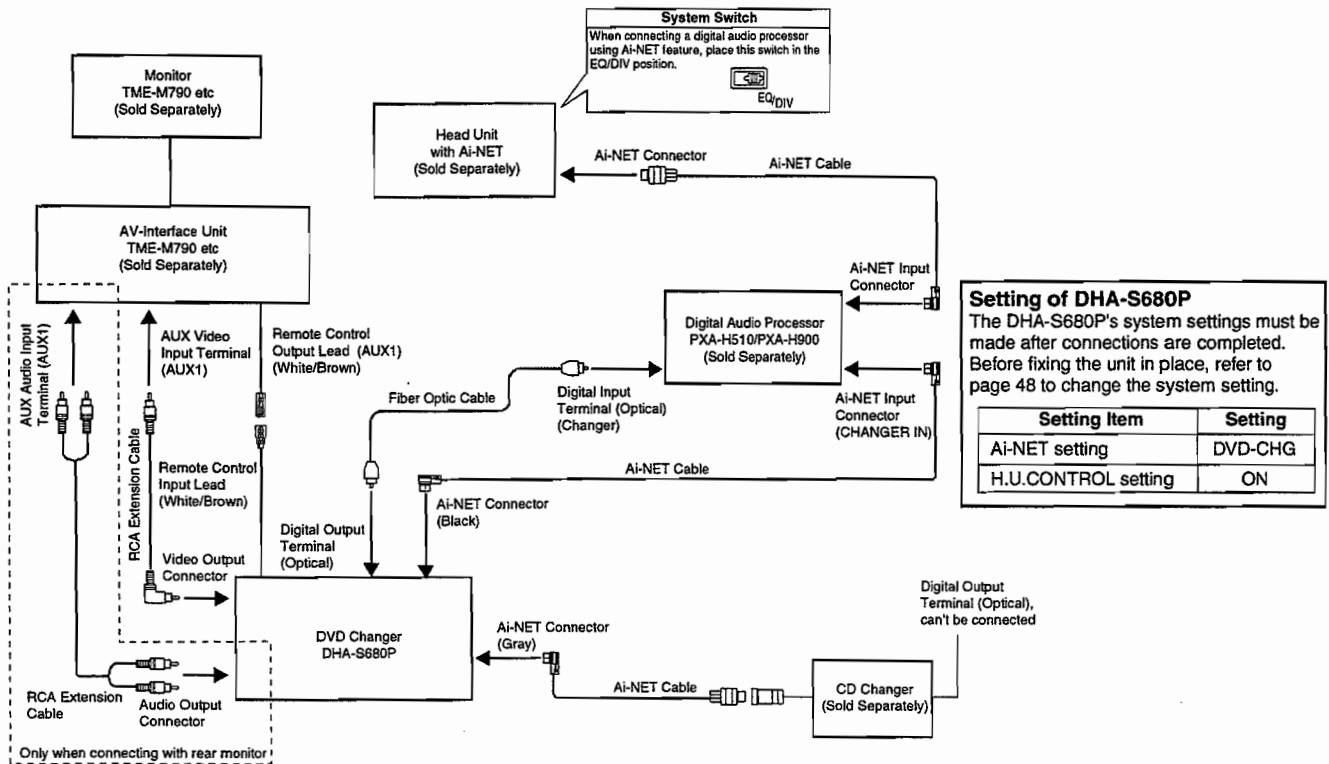


### NOTES

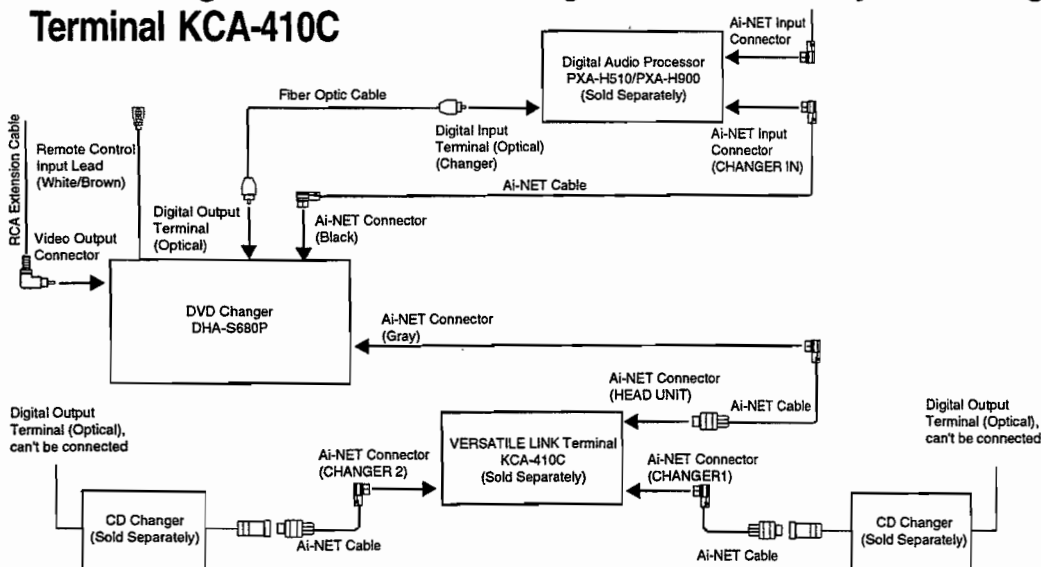
- Be sure to switch the head unit's system switch before turning the power on.
- When connecting the DVD player (DVA-5205P), be sure to connect the DVA-5205P's video output/audio output (when using a rear monitor) to the AV head unit's AUX1. Connect the DHA-S680P's video output to the AUX2.
- The switched Power Lead (Ignition) connection is not needed.
- Also refer to the operating instructions of the other products in the system.
- To connect a rear monitor, connect to the front monitor's RCA output (TV Tuner Box).
- When a CD changer is connected to the DHA-S680P, inserting a magazine into the DHA-S680P while the CD changer is playing will result in the sound of the CD changer being muted because of the DHA-S680P disc check being performed.
- When connecting the optical digital output to a digital audio processor, be sure to make connection to the CHANGER connectors of the digital audio processor optical digital input connectors. This arrangement allows you to enjoy Dolby Digital 5.1 Channel Surround and other effects even when connection is made to the CHANGER connectors.
- When combining the DHA-S680P and the CD changer (CHA-S624), the optical digital output of the CHA-S624 cannot be used.

## DHA-S680/DHA-S680P

- Connecting an Ai-NET compatible Head Unit (Head Unit available after January 2001: CDA-7990R/CDA-7873R/CDA-7878R etc.), Digital Audio Processor (PXA-H510/PXA-H900) and TV Monitor



- Connecting more than 2 CD Changers to the above system using the Versatile Link Terminal KCA-410C

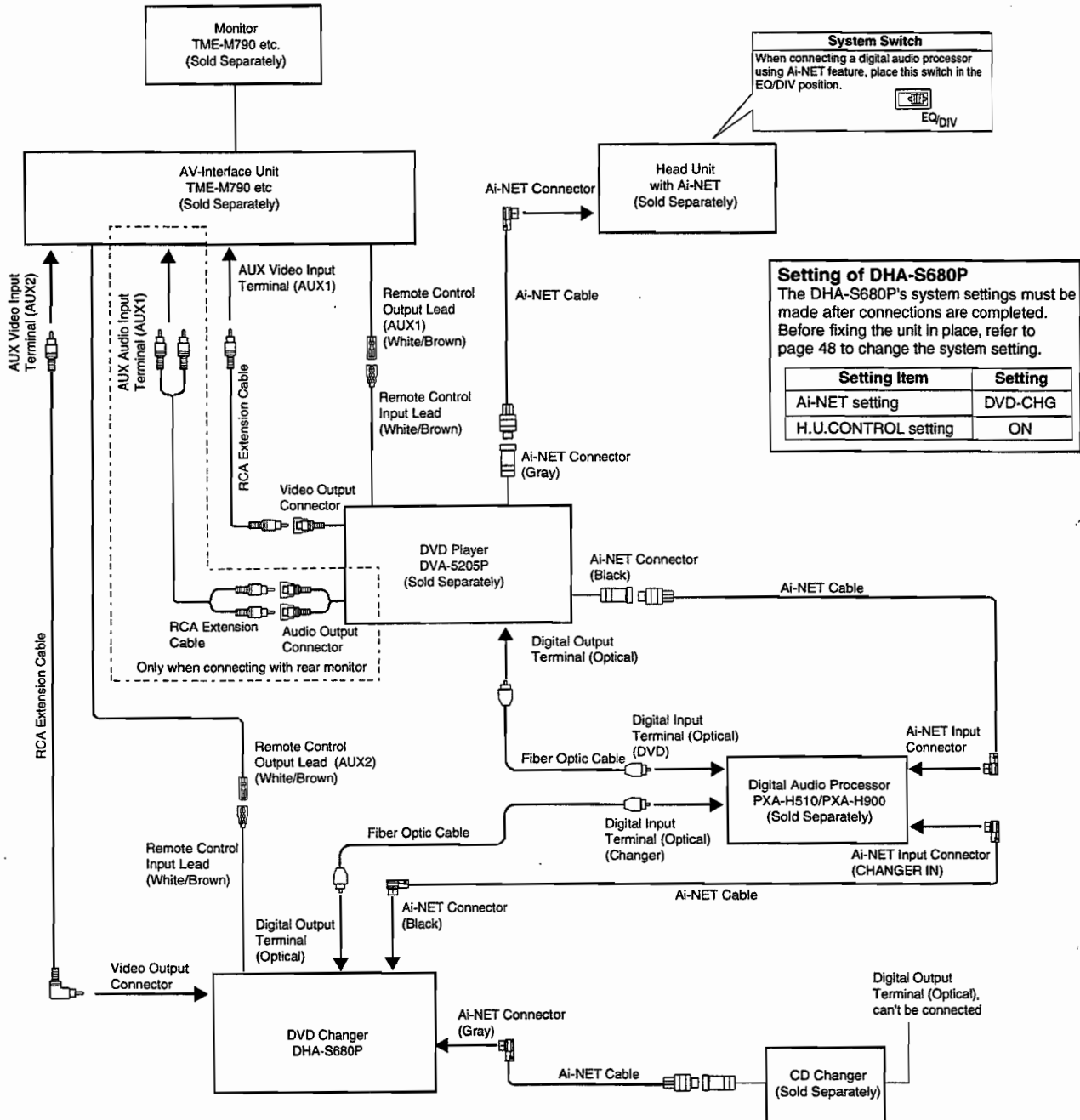


### NOTES

- Be sure to switch the head unit's system switch before turning the power on.
- The switched Power Lead (Ignition) connection is not needed.
- Also refer to the operating instructions of the other products in the system.
- To connect a rear monitor, connect to the front monitor's RCA output (TV Tuner Box).
- When a CD changer is connected to the DHA-S680P, inserting a magazine into the DHA-S680P while the CD changer is playing will result in the sound of the CD changer being muted because of the DHA-S680P disc check being performed.
- When connecting the optical digital output to a digital audio processor, be sure to make connection to the CHANGER connectors of the digital audio processor optical digital input connectors. This arrangement allows you to enjoy Dolby Digital 5.1 Channel Surround and other effects even when connection is made to the CHANGER connectors.
- When combining the DHA-S680P and the CD changer (CHA-S624), the optical digital output of the CHA-S624 cannot be used.

## DHA-S680/DHA-S680P

- Connecting an Ai-NET compatible Head Unit (Head Unit available after January 2001: CDA-7990R/CDA-7873R/CDA-7878R etc.), DVD Player (DVA-5205P), Digital Audio Processor (PXA-H510/PXA-H900) and TV Monitor

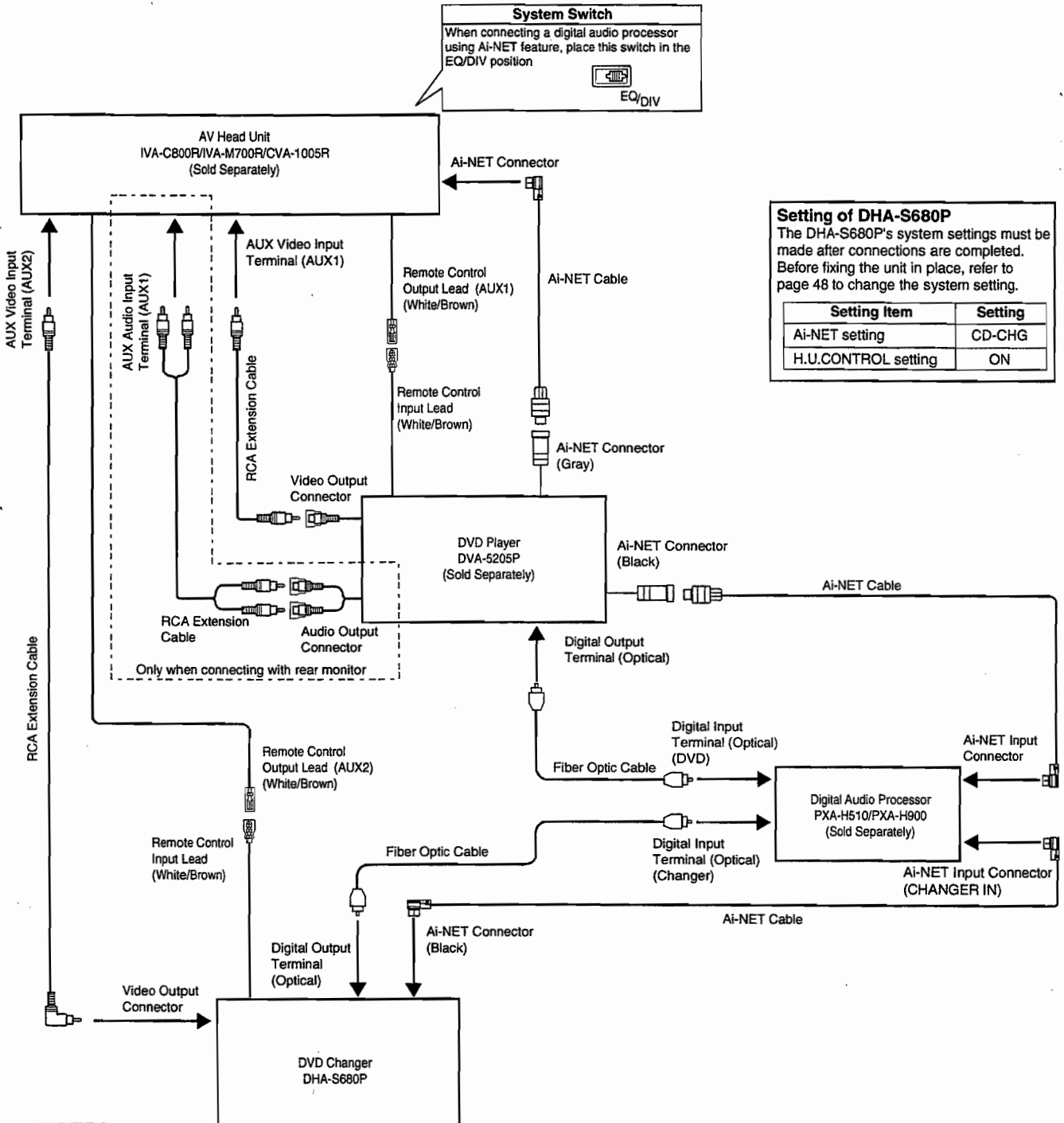


### NOTES

- Be sure to switch the head unit's system switch before turning the power on.
- When connecting the DVD player (DVA-5205P), be sure to connect the DVA-5205P's video output/audio output (when using a rear monitor) to the AV head unit's AUX1. Connect the DHA-S680P's video output to the AUX2.
- The switched Power Lead (Ignition) connection is not needed.
- Also refer to the operating instructions of the other products in the system.
- To connect a rear monitor, connect to the front monitor's RCA output (TV Tuner Box).
- When a CD changer is connected to the DHA-S680P, inserting a magazine into the DHA-S680P while the CD changer is playing will result in the sound of the CD changer being muted because of the DHA-S680P disc check being performed.
- When connecting the optical digital output to a digital audio processor, be sure to make connection to the CHANGER connectors of the digital audio processor optical digital input connectors. This arrangement allows you to enjoy Dolby Digital 5.1 Channel Surround and other effects even when connection is made to the CHANGER connectors.
- When combining the DHA-S680P and the CD changer (CHA-S624), the optical digital output of the CHA-S624 cannot be used.

## DHA-S680/DHA-S680P

- Connecting an Ai-NET compatible AV Head Unit (IVA-C800R/IVA-M700R/CVA-1005R), DVD Player (DVA-5205P) and Digital Audio Processor (PXA-H510/PXA-H900)



### NOTES

- When connecting the DVD player (DVA-5205P), be sure to connect the DVA-5205P's video output/audio output (when using a rear monitor) to the AV head unit's AUX1. Connect the DHA-S680P's video output to the AUX2.
- Be sure to switch the head unit's system switch before turning the power on.
- The switched Power Lead (Ignition) connection is not needed.
- Also refer to the operating instructions of the other products in the system.
- To connect a rear monitor, connect to the front monitor's RCA output (TV Tuner Box).
- When connecting the optical digital output to a digital audio processor, be sure to make connection to the CHANGER connectors of the digital audio processor optical digital input connectors. This arrangement allows you to enjoy Dolby Digital 5.1 Channel Surround and other effects even when connection is made to the CHANGER connectors.
- Even when the DHA-S680P Ai-NET settings are set to CD-CHG, making connection of the optical digital output to the digital audio processor allows you to enjoy Dolby Digital 5.1 Channel Surround and other effects.
- When using the Versatile Link Terminal (KCA-410C), only connection of the CHANGER can be used. The AUX connector of KCA-410C cannot be used.

# DHA-S680/DHA-S680P

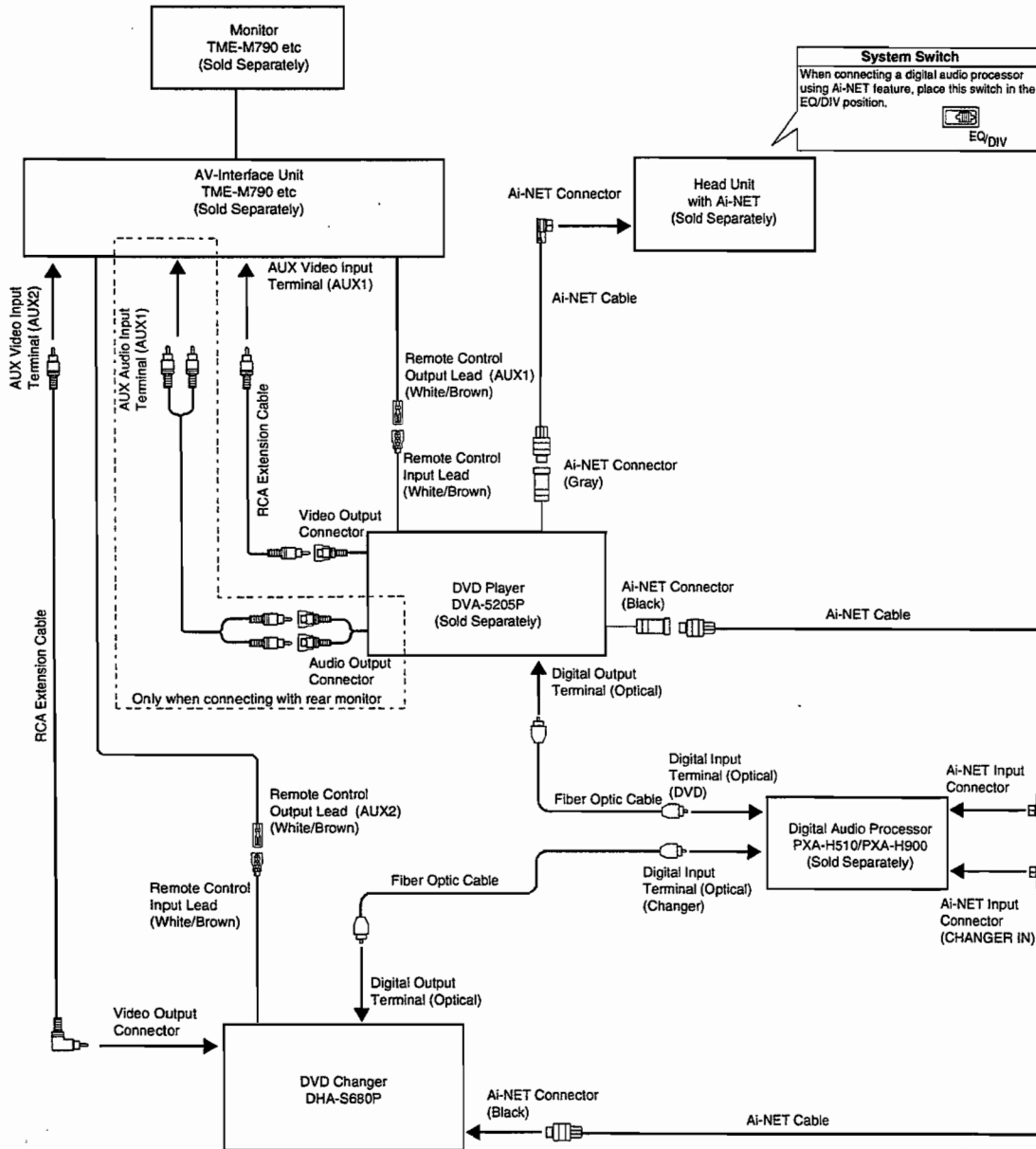
## • Precautions when Connecting and Using the DHA-S680P with the Versatile Link Terminal (KCA-410C)

When connecting the DHA-S680P with the Versatile Link Terminal (KCA-410C), change the system settings of the DHA-S680P according to the following procedure before connecting the KCA-410C.

**1** Make the connections for making the DHA-S680P system settings.

### NOTE

After connecting the DHA-S680P to the KCA-410C, DHA-S680P system setting changes will not be possible.



**2** Refer to "Changing the System Settings" (page 48) to change the system.

- Ai-NET setting: CD-CHG
- H.U.CONTROL: ON

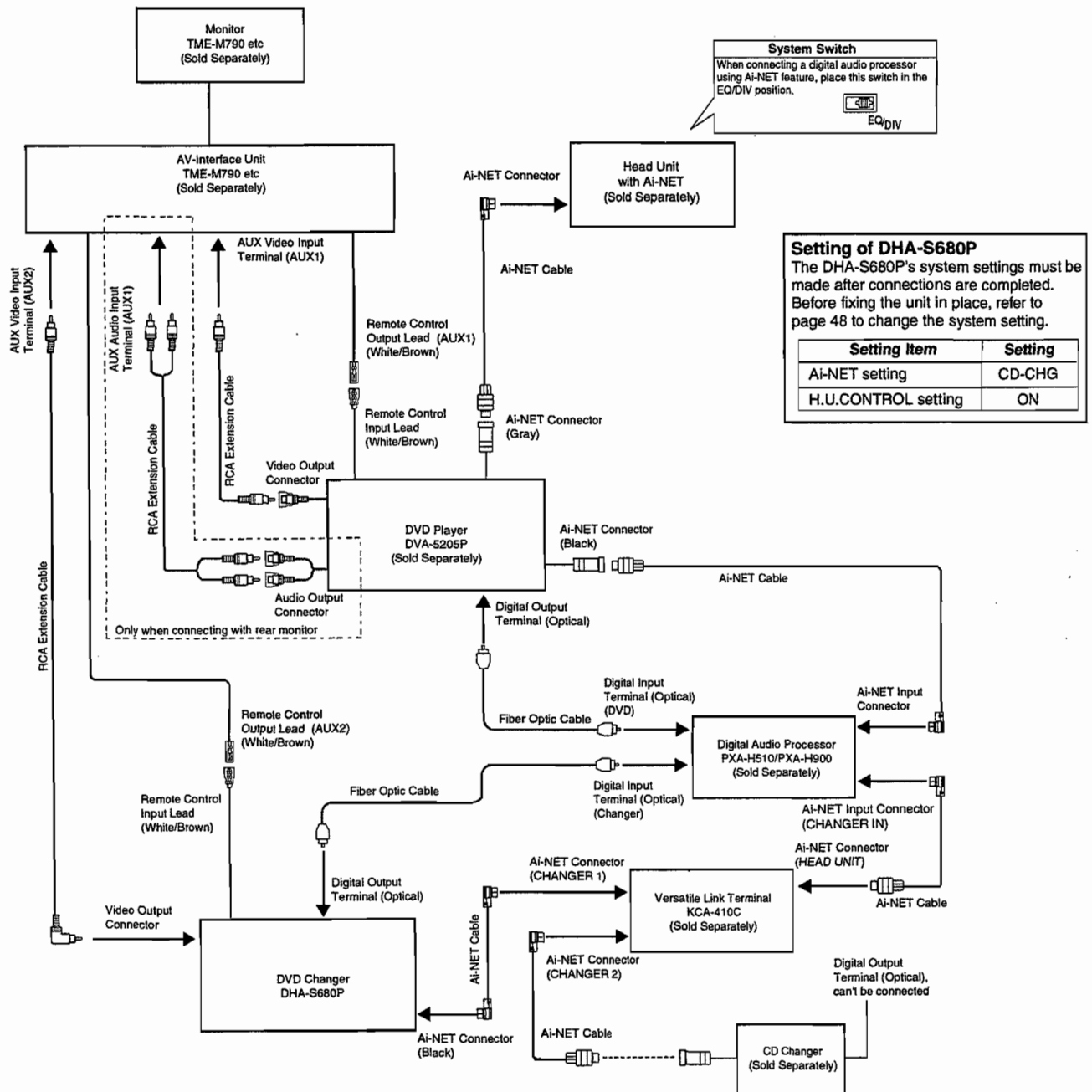
**3** Once the system settings have been changed and the operation check completed remove the battery, refer to Page 57, and connect the Versatile Link Terminal (KCA-410C)

### NOTES

- When using the Versatile Link Terminal (KCA-410C) and connecting the DHA-S680P, connect the DHA-S680P Ai-NET cable to the CHANGER1 connector of the KCA-410C.
- When combining the DHA-S680P and the CD changer (CHA-S624), the optical digital output of the CHA-S624 cannot be used.

## DHA-S680/DHA-S680P

- Connecting an Ai-NET compatible Head Unit (Head Units available after January 2001, except CDA-7990R), DVD Player (DVA-5205P), Digital Audio Processor (PXA-H510/PXA-H900) and TV Monitor



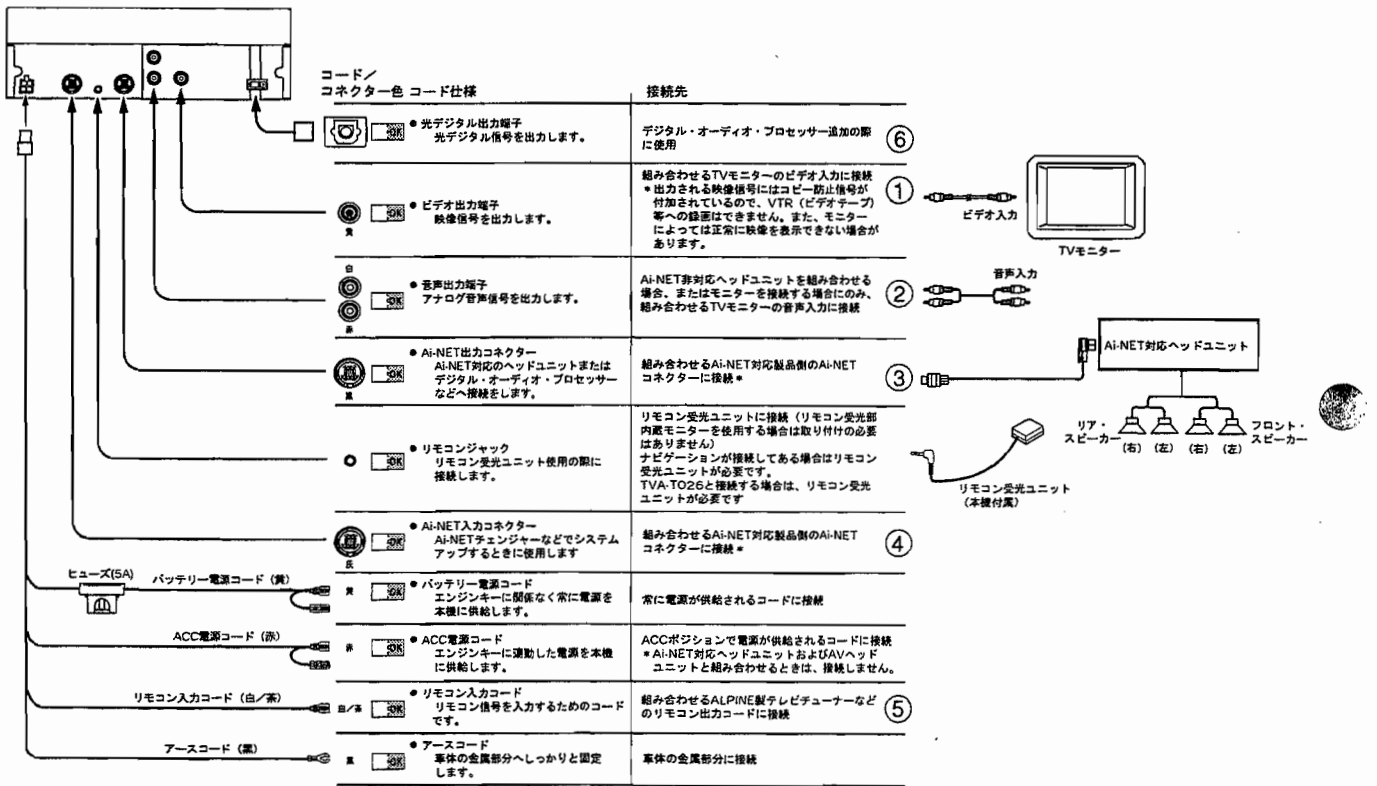
### NOTES

- Be sure to switch the head unit's system switch before turning the power on.
- When connecting the DVD player (DVA-5205P), be sure to connect the DVA-5205P's video output/audio output (when using a rear monitor) to the TV monitor's AUX1. Connect the DHA-S680P's video output to the AUX2.
- The switched Power Lead (Ignition) connection is not needed.
- Also refer to the operating instructions of the other products in the system.
- To connect a rear monitor, connect to the front monitor's RCA output (TV Tuner Box).
- When connecting the optical digital output to a digital audio processor, be sure to make connection to the CHANGER connectors of the digital audio processor optical digital input connectors. This arrangement allows you to enjoy Dolby Digital 5.1 Channel Surround and other effects even when connection is made to the CHANGER connectors.
- When using the Versatile Link Terminal (KCA-410C) and connecting the DHA-S680P, connect the DHA-S680P Ai-NET cable to the CHANGER1 connector of the KCA-410C. Before connecting KCA-410C, change the system setting (page 56) of DHA-S680P.
- Even when the DHA-S680P Ai-NET settings are set to CD-CHG, making connection of the optical digital output to the digital audio processor allows you to enjoy Dolby Digital 5.1 Channel Surround and other effects.
- When combining the DHA-S680P and the CD changer (CHA-S624), the optical digital output of the CHA-S624 cannot be used.

# DHA-S680/DHA-S680P

(Japanese Model Only)

## 基本接続図



**注意** 正しい接続をする  
記載してある接続先以外には接続しないでください。

**Memo** ● 組み合わせる製品の取付説明書も合わせてご覧ください。

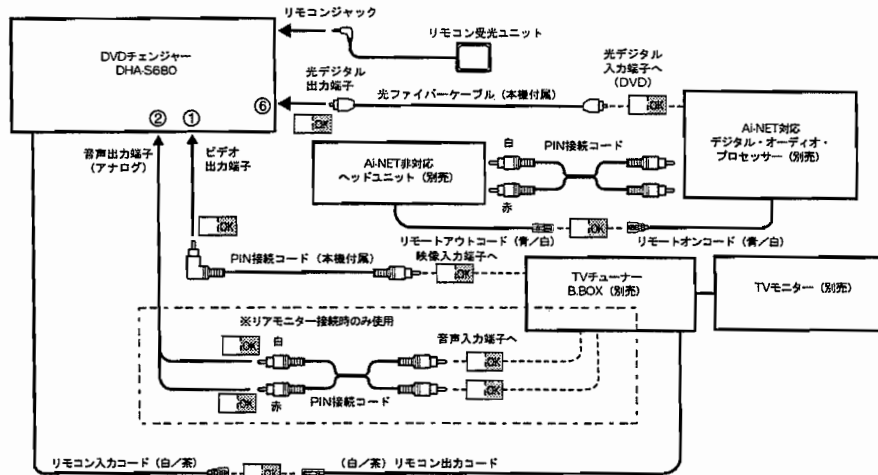


## システムアップの例

### ● システムアップ時のご注意

- ・ 接続終了後、DHA-S680のシステム設定を変更する必要があります。
- ・ DHA-S680をヘッドユニット、AVヘッドユニットと接続する場合は、ACC電源コードは接続しないでください。
- ・ ALPINEデジタル・オーディオ・プロセッサ（PXA-H510、PXA-H900等）に光デジタル出力を接続する場合は、必ず、デジタル・オーディオ・プロセッサ光デジタル入力端子のCHANGER端子に接続してください。  
この場合、CHANGER端子に接続しても、ドルビーデジタル5.1チャンネルサラウンドなどのサウンドはお楽しみいただけます。
- ・ ALPINE VERSATILE LINK TERMINAL（KCA-410C）を使って、DHA-S680を接続する場合は、DHA-S680のAi-NETコードはKCA-410CのCHANGER1端子へ接続してください。  
また、KCA-410Cを使って接続する場合、DHA-S680のシステム設定手順が変更になりますので46ページを参照して設定を行ってください。
- ・ DHA-S680とCDチェンジャー（CHA-S624）を組み合わせた場合は、CHA-S624の光デジタル出力は使用できません。
- ・ DHA-S680とALPINE TVモニター、AVヘッドユニットと接続する場合、お互いのリモコン入力コード（白/茶）は必ず接続してください。リモコン操作ができなくなります。  
他社のTVモニターと接続する場合は、添付のリモコン受光ユニットを使用してください。

### ● Ai-NET非対応ヘッドユニット/デジタル・オーディオ・プロセッサ（PXA-H510、PXA-H900等）/TVモニターを接続する



#### Memo

- Ai-NET非対応ヘッドユニットとデジタル・オーディオ・プロセッサを組み合わせるときは、本機とデジタル・オーディオ・プロセッサの接続は光ファイバケーブルのみを接続してください。Ai-NET出力ケーブルと併用では接続しないでください。この場合は、本機からデジタル・オーディオ・プロセッサのコントロールはできません。
- Ai-NET非対応ヘッドユニットを接続しないで、本機とデジタル・オーディオ・プロセッサのみを接続するときは、光ファイバケーブルとAi-NET出力ケーブルを併用で接続ができます。この場合は、本機からデジタル・オーディオ・プロセッサのコントロールが可能です。
- 他社TVモニターを接続するときは、リモコン入力コード（白/茶）⑥は接続不要です。本機付属のリモコン受光ユニットをお使いください。
- 組み合わせる製品の説明書も合わせてご覧下さい。

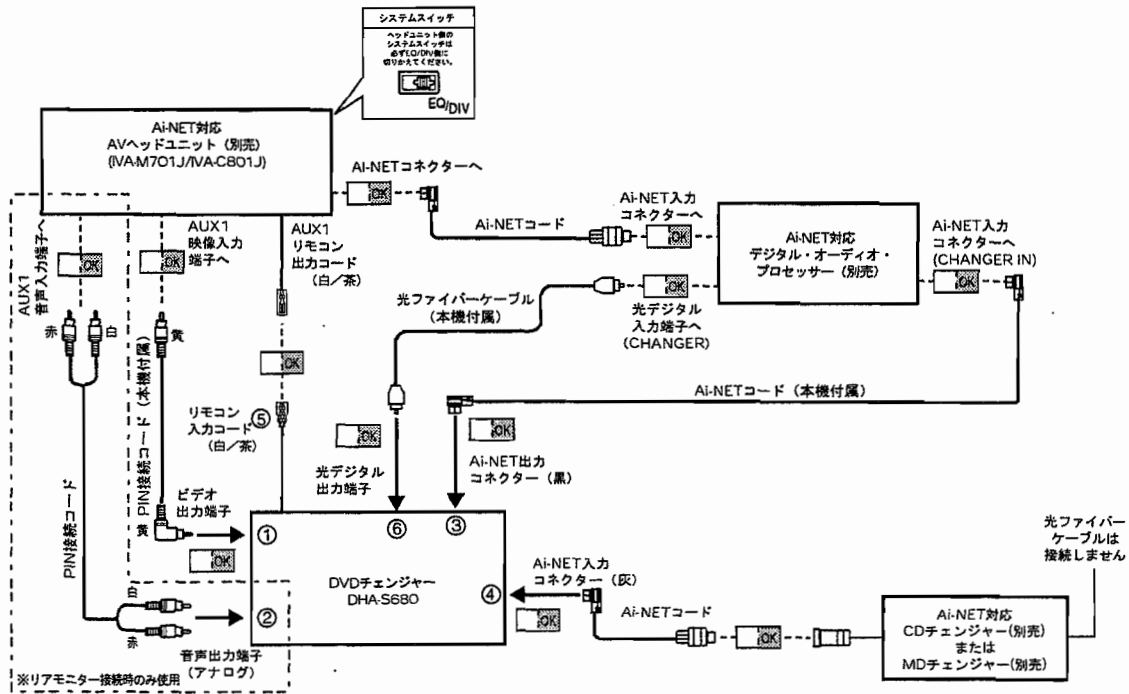
#### DHA-S680設定

接続終了後DHA-S680のシステム設定が必要になります。製品を固定する前に巻末を参照してシステム設定を変更してください。

設定項目	設定
Ai-NET設定	CD-CHG
H.U. CONTROL設定	OFF

# DHA-S680/DHA-S680P

- Ai-NET対応AVヘッドユニット（2001年1月以降発売Ai-NET対応AVヘッドユニット IVA-M701J/IVA-C801Jなど）／デジタル・オーディオ・プロセッサ（PXA-H510、PXA-H900）を接続する



**注意** ヘッドユニット側のシステム・スイッチの切りかえは必ず、電源をONする前に行ってください。

**Memo**

- 本機のビデオ出力／音声出力（リアモニター使用時）は必ず、AVヘッドユニットのAUX1に接続してください。
- 本機のACC電源コードは接続不要です。
- 組み合わせる製品の説明書も合わせてご覧下さい。
- リアモニターを接続するときは、フロント側モニターのRCA OUTPUT (TVチューナーBOX) へ接続してください。
- DHA-S680にCDチェンジャーを接続した場合、CDチェンジャーを再生中にDHA-S680にマガジン挿入すると、DHA-S680のディスクチェックを行なうため、CDチェンジャーの音声にミュートがかかります。
- デジタル・オーディオ・プロセッサへ光デジタル出力を接続する場合は、必ず、デジタル・オーディオ・プロセッサ光デジタル入力端子のCHANGER端子に接続してください。この場合、CHANGER端子に接続しても、ドルビーデジタル5.1チャンネルサラウンドなどのサウンドはお楽しみいただけません。
- DHA-S680とCDチェンジャー(CHA-S624)を組み合わせた場合は、CHA-S624の光デジタル出力は使用できません。

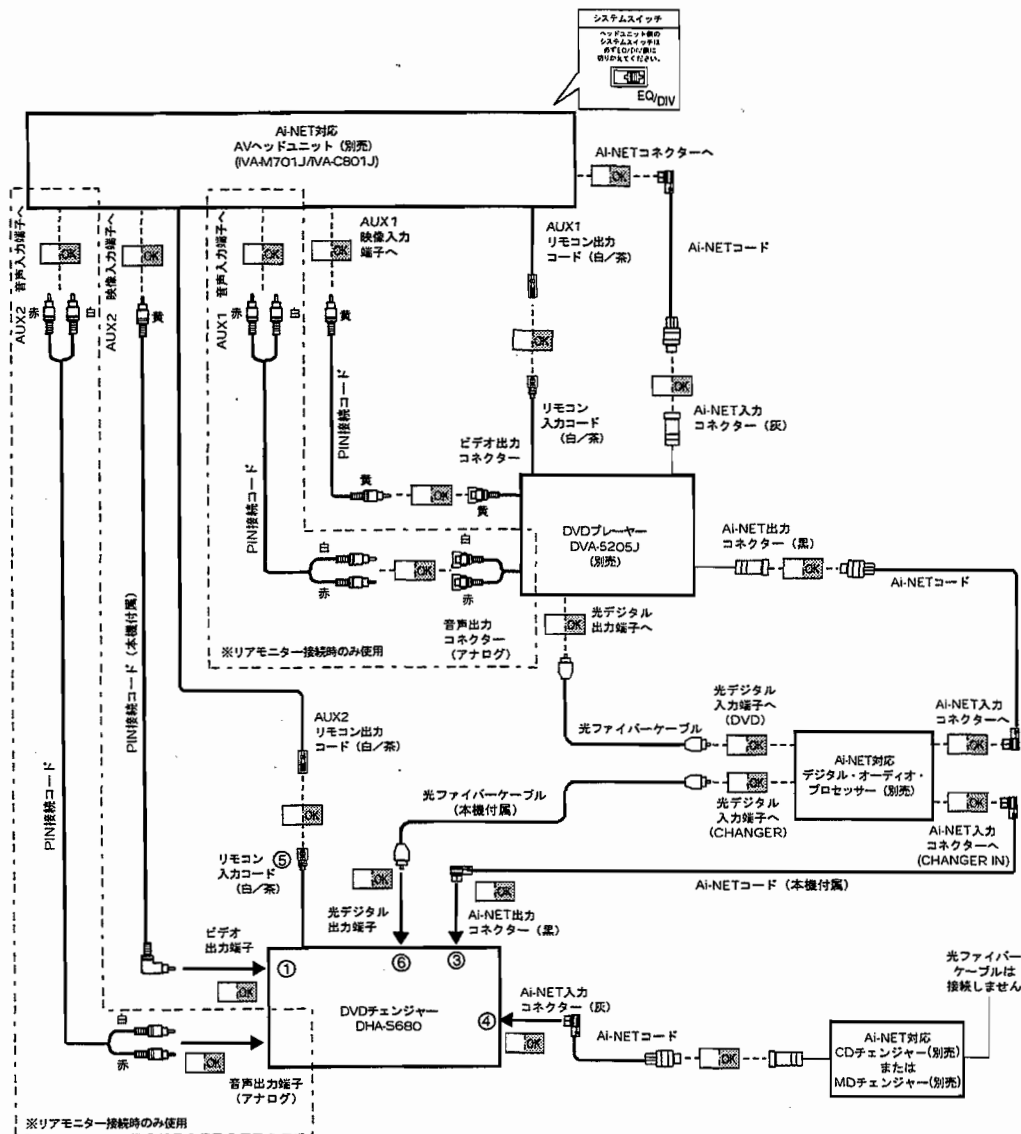
**DHA-S680設定**

接続終了後DHA-S680のシステム設定が必要になります。製品を固定する前に巻末を参照してシステム設定を変更してください。

設定項目	設定
Ai-NET設定	DVD-CHG
H.U. CONTROL設定	ON

# DHA-S680/DHA-S680P

- Ai-NET対応AVヘッドユニット（2001年1月以降発売Ai-NET対応AVヘッドユニット IVA-M701J/IVA-C801Jなど）／DVDプレーヤー（DVA-5205J）／デジタル・オーディオ・プロセッサ（PXA-H510、PXA-H900）を接続する



**⚠注意** ヘッドユニット側のシステム・スイッチの切りかえは必ず、電源をONする前に行ってください。

### DHA-S680設定

接続終了後DHA-S680のシステム設定が必要になります。製品を固定する前に巻末を参照してシステム設定を変更してください。

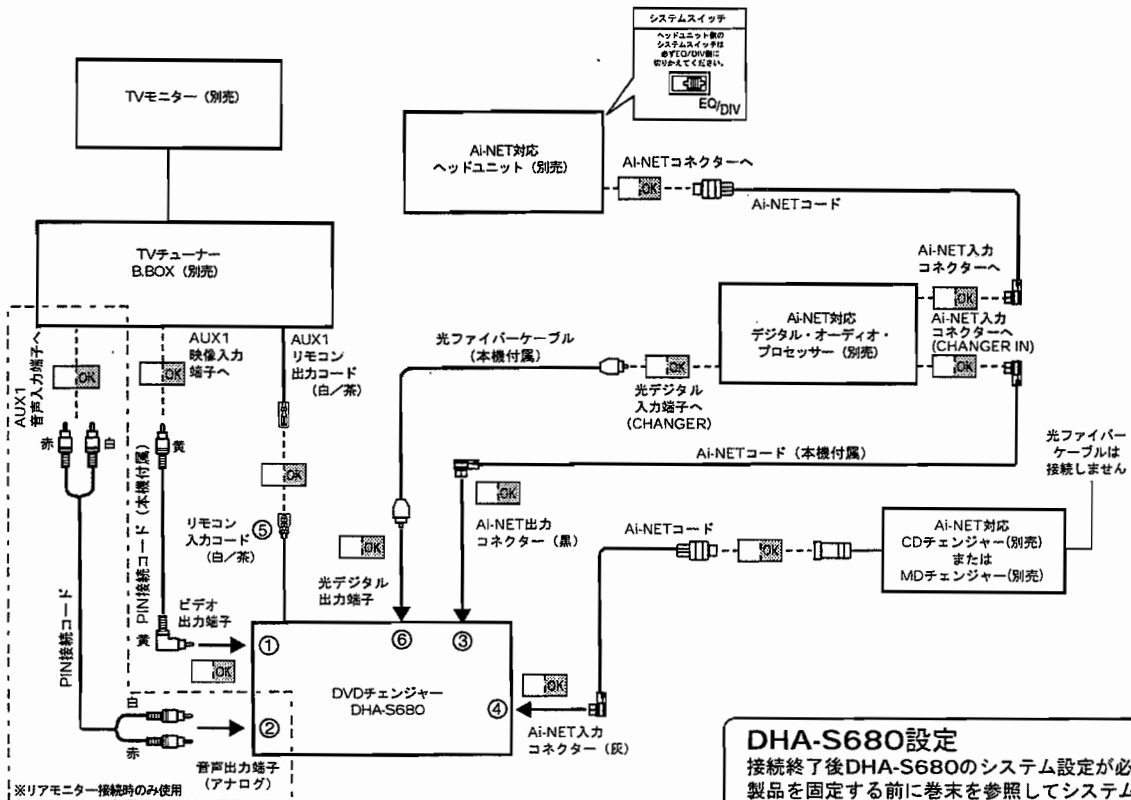
設定項目	設定
Ai-NET設定	DVD-CHG
H.U. CONTROL設定	ON

### Memo

- DVDプレーヤー（DVA-5205J）を接続する場合は、DVA-5205Jのビデオ出力／音声出力（リアモニター使用時）は必ず、AVヘッドユニットのAUX1に接続してください。この場合、本機のビデオ出力はAUX2に接続してください。
- 本機のACC電源コードは接続不要です。
- 組み合わせる製品の説明書も合わせてご覧ください。
- リアモニターを接続するときは、フロント側モニターのRCA OUTPUT（TVチューナーBOX）へ接続してください。
- DHA-S680にCDチェンジャーを接続した場合、CDチェンジャーを再生中にDHA-S680にマガジン挿入すると、DHA-S680のディスクチェックを行なうため、CDチェンジャーの音声がミュートがかかります。
- デジタル・オーディオ・プロセッサへ光デジタル出力を接続する場合は、必ず、デジタル・オーディオ・プロセッサ光デジタル入力端子のCHANGER端子に接続してください。この場合、CHANGER端子に接続しても、ドルビーデジタル5.1チャンネルサラウンドなどのサウンドはお楽しみいただけません。
- DHA-S680とCDチェンジャー(CHA-S624)を組み合わせた場合は、CHA-S624の光デジタル出力は使用できません。

# DHA-S680/DHA-S680P

- Ai-NET対応ヘッドユニット（2001年1月以降発売Ai-NET対応ヘッドユニット CDA-7990J/CDA-7877J など）／デジタル・オーディオ・プロセッサ（PXA-H510、PXA-H900）／TVモニターを接続する

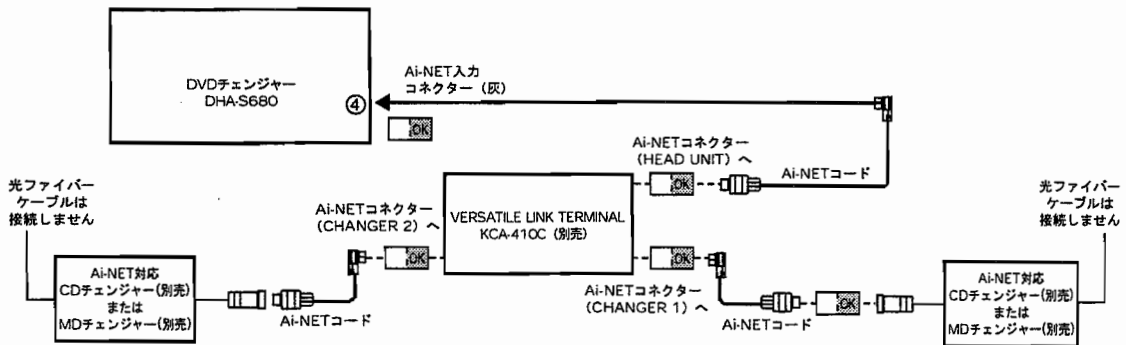


**DHA-S680設定**  
 接続終了後DHA-S680のシステム設定が必要になります。  
 製品を固定する前に巻末を参照してシステム設定を変更してください。

設定項目	設定
Ai-NET設定	DVD-CHG
H.U. CONTROL設定	ON

**注意** ヘッドユニット側のシステム・スイッチの切りかえは必ず、電源をONする前に行ってください。

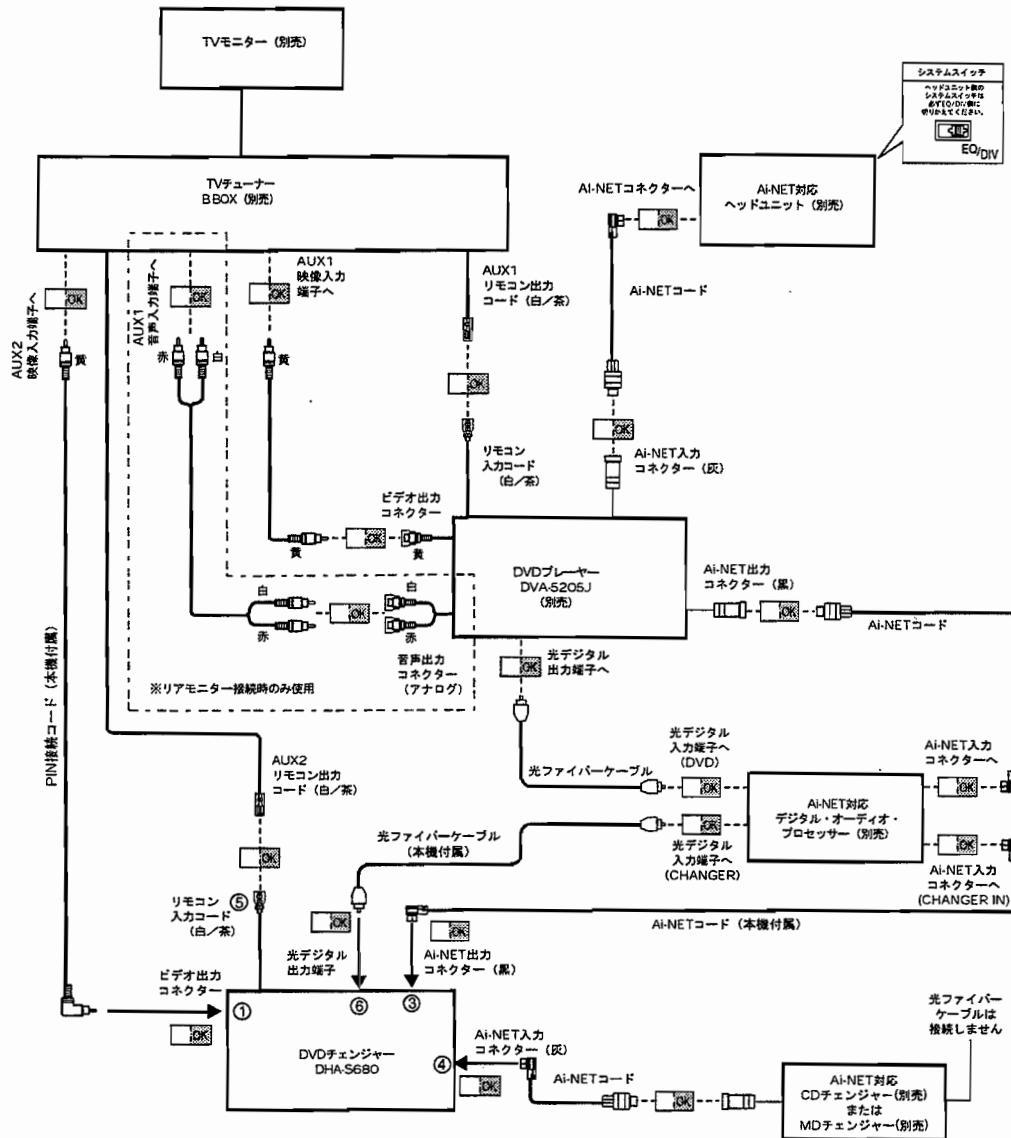
- 上記のシステムにVersatile Link Terminal (KCA-410C) を使ってCD Changerを2台以上接続する場合



- Memo**
- 本機のACC電源コードは接続不要です。
  - 組み合わせる製品の説明書も合わせてご覧ください。
  - リアモニターを接続するときは、フロント側モニターのRCA OUTPUT (TVチューナーBOX) へ接続してください。
  - DHA-S680にCDチェンジャーを接続した場合、CDチェンジャーを再生中にDHA-S680にマガジンを挿入すると、DHA-S680のディスクチェックを行なうため、CDチェンジャーの音声にミュートがかかります。
  - デジタル・オーディオ・プロセッサへ光デジタル出力を接続する場合は、必ず、デジタル・オーディオ・プロセッサ光デジタル入力端子のCHANGER端子に接続してください。この場合、CHANGER端子に接続しても、ドルビーデジタル5.1チャンネルサラウンドなどのサウンドはお楽しみいただけません。
  - DHA-S680とCDチェンジャー(CHA-S624)を組み合わせた場合は、CHA-S624の光デジタル出力は使用できません。

# DHA-S680/DHA-S680P

- Ai-NET対応ヘッドユニット（2001年1月以降発売Ai-NET対応ヘッドユニット CDA-7990J/CDA-7877J など）／DVDプレーヤー（DVA-5205J）／デジタル・オーディオ・プロセッサ（PXA-H510、PXA-H900）／TVモニターを接続する。



**注意** ヘッドユニット側のシステム・スイッチの切りかえは必ず、電源をONする前に行ってください。

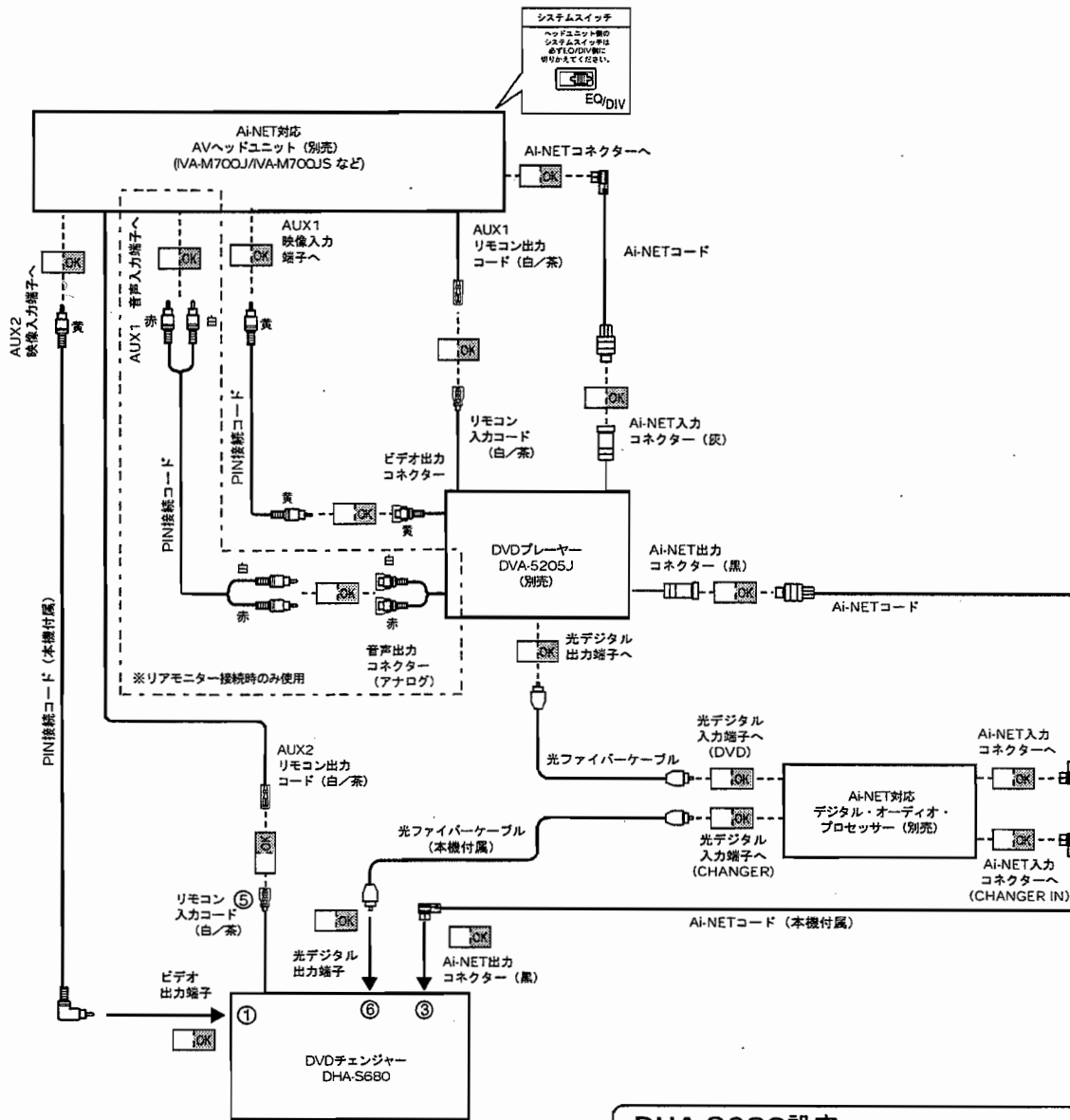
**DHA-S680設定**  
 接続終了後DHA-S680のシステム設定が必要になります。製品を固定する前に巻末を参照してシステム設定を変更してください。

設定項目	設定
Ai-NET設定	DVD-CHG
H.U. CONTROL設定	ON

- Memo**
- DVDプレーヤー（DVA-5205J）を接続する場合は、DVA-5205Jのビデオ出力／音声出力（リアモニター使用時は必ず、AVヘッドユニットのAUX1に接続してください。この場合、本機のビデオ出力はAUX2に接続してください。
  - 本機のACC電源コードは接続不要です。
  - 組み合わせる製品の説明書も合わせてご覧下さい。
  - リアモニターを接続するときは、フロント側モニターのRCA OUTPUT（TVチューナーBOX）へ接続してください。
  - DHA-S680にCDチェンジャーを接続した場合、CDチェンジャーを再生中にDHA-S680にマガジンを挿入すると、DHA-S680のディスクチェックを行なうため、CDチェンジャーの音声がミュートがかかります。
  - デジタル・オーディオ・プロセッサへ光デジタル出力を接続する場合は、必ず、デジタル・オーディオ・プロセッサ光デジタル入力端子のCHANGER端子に接続してください。この場合、CHANGER端子に接続しても、ドルビーデジタル5.1チャンネルサラウンドなどのサウンドはお楽しみいただけません。
  - DHA-S680とCDチェンジャー(CHA-S624)を組み合わせた場合は、CHA-S624の光デジタル出力は使用できません。

# DHA-S680/DHA-S680P

- Ai-NET対応AVヘッドユニット (IVA-M700J/IVA-M700JSなど) / DVDプレーヤー (DVA-5205J) / デジタル・オーディオ・プロセッサ (PXA-H510、PXA-H900) を接続する。



**注意** ヘッドユニット側のシステム・スイッチの切りかえは必ず、電源をONする前に行ってください。

**DHA-S680設定**  
 接続終了後DHA-S680のシステム設定が必要になります。製品を固定する前に巻末を参照してシステム設定を変更してください。

設定項目	設定
Ai-NET設定	CD-CHG
H.U. CONTROL設定	ON

- Memo**
- DVDプレーヤー (DVA-5205J) を接続する場合は、DVA-5205Jのビデオ出力/音声出力 (リアモニター使用時) は必ず、AVヘッドユニットのAUX1に接続してください。この場合、本機のビデオ出力はAUX2に接続してください。
  - 本機のACC電源コードは接続不要です。
  - 組み合わせる製品の説明書も合わせてご覧ください。
  - リアモニターを接続するときは、フロント側モニターのRCA OUTPUT (TVチューナーBOX) へ接続してください。
  - デジタル・オーディオ・プロセッサへ光デジタル出力を接続する場合は、必ず、デジタル・オーディオ・プロセッサ光デジタル入力端子のCHANGER端子に接続してください。この場合、CHANGER端子に接続しても、ドルビーデジタル5.1チャンネルサラウンドなどのサウンドはお楽しみいただけます。
  - DHA-S680のAi-NET設定をCD-CHGにしても、デジタル・オーディオ・プロセッサへ光デジタル出力を接続すれば、ドルビーデジタル5.1チャンネルサラウンドなどのサウンドはお楽しみいただけます。
  - VERSATILE LINK TERMINAL(KCA-410C)を使用する場合は、チェンジャー接続のみ使用できます。KCA-410CのAUX端子は使用できません。

# DHA-S680/DHA-S680P

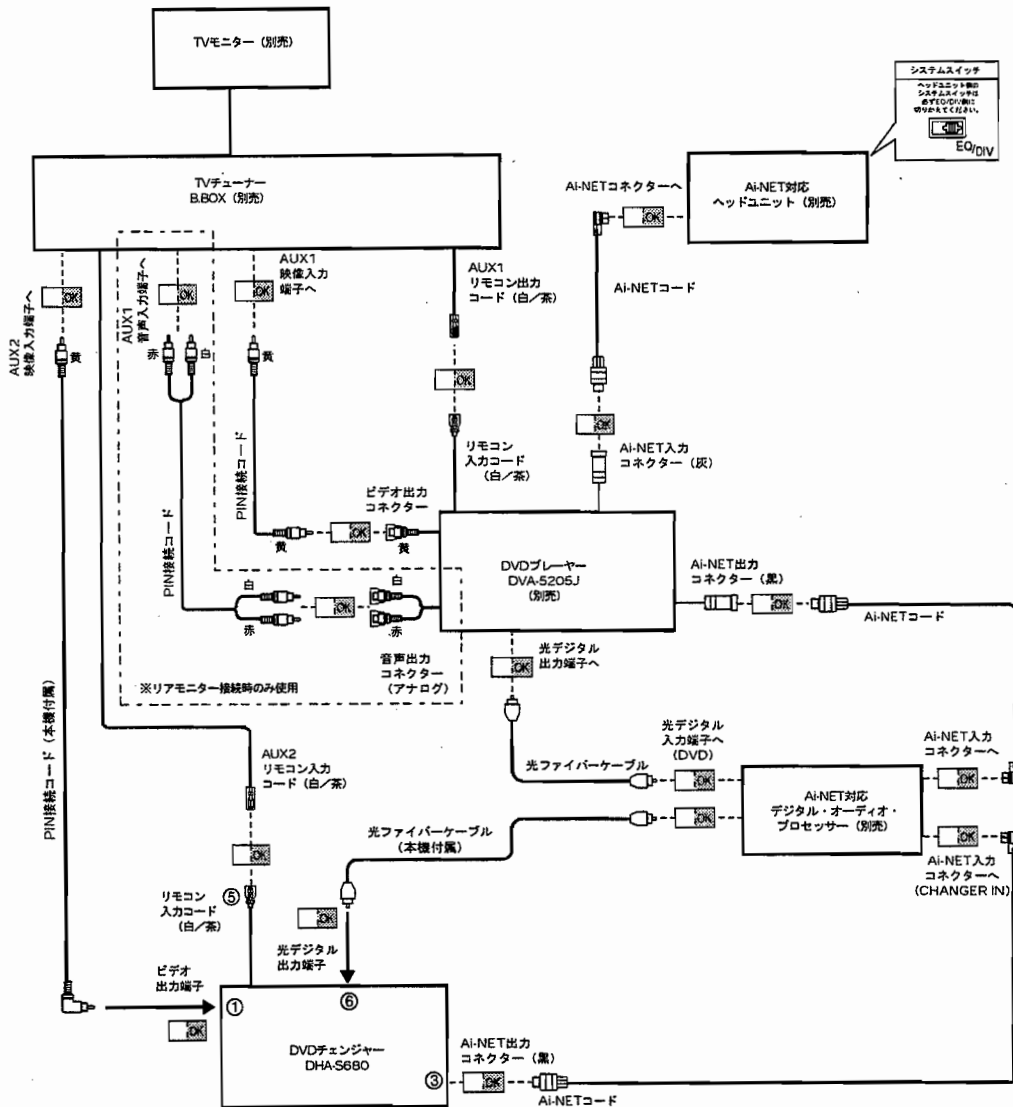
## ● DHA-S680をVERSATILE LINK TERMINAL (KCA-410C)を使用して接続する場合のご注意

VERSATILE LINK TERMINAL (KCA-410C)にDHA-S680を接続する場合は、KCA-410Cを接続する前に以下の手順でDHA-S680のシステム設定を変更してください。

### 1. DHA-S680のシステム設定をするための接続を行なう



● KCA-410CにDHA-S680を接続したあとでは、DHA-S680のシステム設定変更はできません



### 2. 「必ずお読みください」(巻末)を参照して、システムを変更する

- Ai-NET設定 : CD-CHG
- H.U. CONTROL設定 : ON

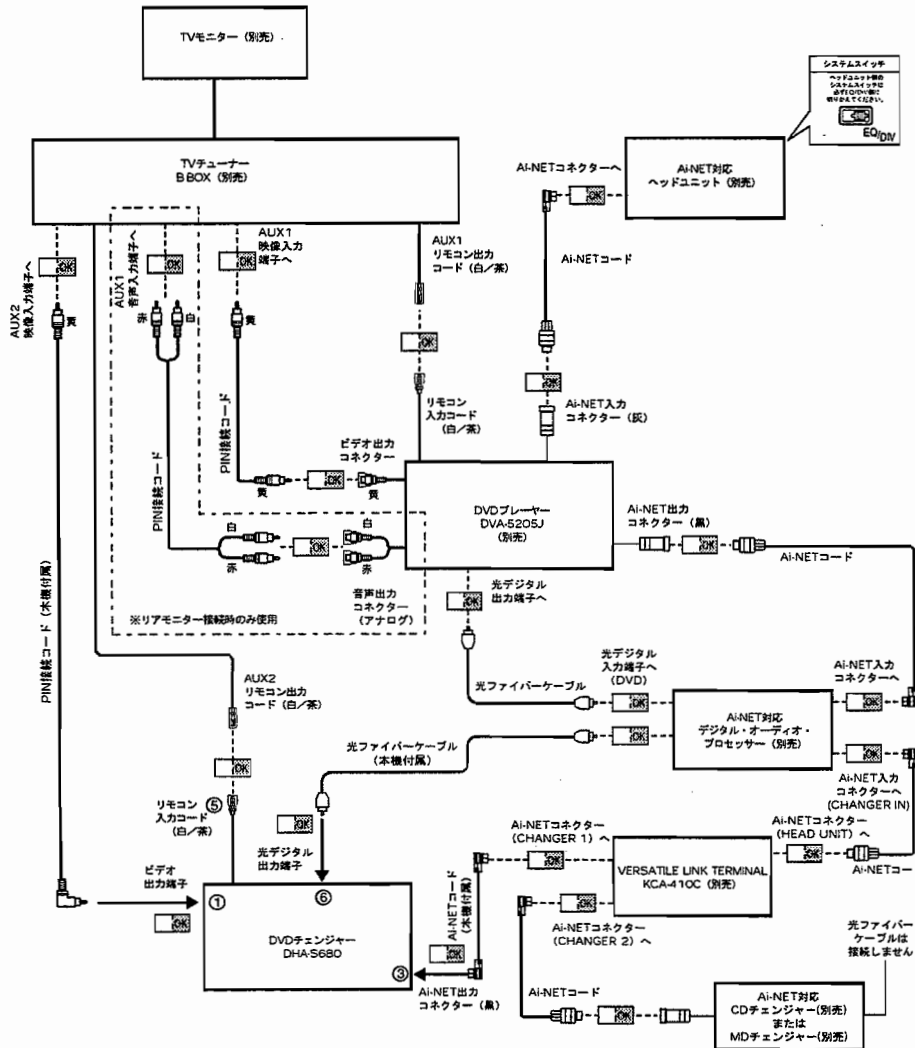
### 3. システム設定を変更し動作確認が終了したら、バッテリーを外し、47ページを参照してVERSATILE LINK TERMINAL (KCA-410C)を接続してください。



- VERSATILE LINK TERMINAL (KCA-410C)を使って、DHA-S680を接続する場合は、DHA-S680のAi-NETコードはKCA-410CのCHANGER1端子へ接続してください。
- DHA-S680とCDチェンジャー(CHA-S624)を組み合わせた場合は、CHA-S624の光デジタル出力は使用できません。

# DHA-S680/DHA-S680P

- Ai-NET対応ヘッドユニット (CDA-7990Jを除く2001年1月以前に発売されたAi-NET対応AVヘッドユニット) / DVDプレーヤー (DVA-5205) / デジタル・オーディオ・プロセッサ (PXA-H510/PXA-H900) / TV モニターを接続する



**⚠注意** ヘッドユニット側のシステム・スイッチの切りかえは必ず、電源をONする前に行ってください。

**DHA-S680設定**  
 接続終了後DHA-S680のシステム設定が必要になります。製品を固定する前に巻末を参照してシステム設定を変更してください。

設定項目	設定
Ai-NET設定	CD-CHG
H.U. CONTROL設定	ON

## Memo

- DVDプレーヤー (DVA-5205J) を接続する場合は、DVA-5205Jのビデオ出力/音声出力 (リアモニター使用時) は必ず、TVモニターのAUX1に接続してください。この場合、本機のビデオ出力はAUX2に接続してください。
- 本機のACC電源コードは接続不要です。
- 組み合わせる製品の説明書も合わせてご覧下さい。
- リアモニターを接続するときは、フロント側モニターのRCA OUTPUT (TVチューナーBOX) へ接続してください。
- デジタル・オーディオ・プロセッサへ光デジタル出力を接続する場合は、必ず、デジタル・オーディオ・プロセッサ光デジタル入力端子のCHANGER端子に接続してください。この場合、CHANGER端子に接続しても、ドルビーデジタル5.1チャンネルサラウンドなどのサウンドはお楽しみいただけます。
- VERSATILE LINK TERMINAL (KCA-410C) を使って、DHA-S680を接続する場合は、DHA-S680のAi-NETコードはKCA-410CのCHANGER1端子へ接続してください。また、KCA-410Cを使って接続する場合はKCA-410Cを接続する前にDHA-S680のシステム設定を変更してください。(46ページを参照)
- DHA-S680のAi-NET設定をCD-CHGにしても、デジタル・オーディオ・プロセッサへ光デジタル出力を接続すれば、ドルビーデジタル5.1チャンネルサラウンドなどのサウンドはお楽しみいただけます。
- DHA-S680とCDチェンジャー(CHA-S624)を組み合わせた場合は、CHA-S624の光デジタル出力は使用できません。



# Specifications

< AUDIO >

Output Level (PREOUT 10k ohm, 1kHz/0dB, Ai-NET)	CD (TCD-782) : 850±150mVrms
	Video CD (TVD-581A) : 850±150mVrms
	DVD (TDV-540) : 850±150mVrms
(PREOUT 10k ohm, 1kHz/0dB, RCA-PREOUT)	CD (TCD-782) : 1200±200mVrms
	Video CD (TVD-581A) : 1200±200mVrms
	DVD (TDV-540) : 1200±200mVrms
Channel Balance (PREOUT 10k ohm, 1kHz/0dB)	CD (TCD-782) : 0±3dB
	Video CD (TVD-581A) : 0±3dB
	DVD (TDV-540) : 0±3dB
T.H.D. (PREOUT 10k ohm, at 997Hz)	CD (TCD-782) : 0.05%
	Video CD (TVD-581A) : 0.1%
	DVD (TDV-540, Ref. 1kHz/48kHz sample) : 0.05%
Frequency Response (PREOUT 10k ohm, Ref. 1kHz/0dB)	CD (TCD-782) : 17Hz : 0±2dB
	127Hz : 0±2dB
	10.007kHz : 0±2dB
	19.997kHz : 0±2dB
	Video CD (TVD-581A) : 21Hz : 0±2dB
	127Hz : 0±2dB
	10.007kHz : 0±2dB
	19.997kHz : 0±2dB
	DVD (TDV-540, Ref. 1kHz/96kHz sample) : 17Hz : 0±2dB
	127Hz : 0±2dB
	10.007kHz : 0±2dB
	19.997kHz : 0±2dB
	43.997kHz : -1±2dB
S/N Ratio (PREOUT 10k ohm)	CD (TCD-782) : 90dB
	Video CD (TVD-581A) : 90dB
	DVD (TDV-540, Ref. 1kHz/48kHz sample) : 90dB
Separation (PREOUT 10k ohm)	CD (TCD-782) : 997Hz : 75dB
	10.007kHz : 65dB
	Video CD (TVD-581A) : 1kHz : 75dB
	DVD (TDV-540) : 1kHz : 75dB
De-Emphasis (PREOUT 10k ohm, Ref. 1kHz/0dB)	CD (TCD-782) : 4kHz : -20±3dB
	16kHz : -20±3dB
Dynamic Range (PREOUT 10k ohm)	CD (TCD-782) : 85dB
	Video CD (TVD-581A) : 85dB
	DVD (TDV-540) : 85dB

# DHA-S680/DHA-S680P

## < VIDEO >

Signal System	.....	NTSC system (○△) PAL system (●)
Output Voltage (PREOUT 75 ohm)	.....	Video CD (TVD-581A) : NTSC : 1±0.1V (HLV-402) : PAL : 1±0.1V DVD (TDV-540) : NTSC : 1±0.1V (DVD-NF200) : PAL : 1±0.1V
Frequency Characteristic (PREOUT 75 ohm)	.....	Video CD (TVD-581A) : NTSC : 2MHz : 2±2dB (HLV-402) : PAL : 2MHz : 2±2dB DVD (TDV-540) : NTSC : 6MHz : 4±2dB (DVD-NF402) : PAL : 6MHz : 4±2dB
S/N Ratio (PREOUT 75 ohm)	.....	Video CD (TVD-581A) : NTSC : 45dB (HLV-402) : PAL : 45dB DVD (TDV-540) : NTSC : 55dB (DVD-NF200) : PAL : 55dB

## < GENERAL >

Power Supply	.....	DC 14.4V (10.5~16V allowable)
Dimensions (W×H×D)	.....	255×77.5×194.9mm
Weight	.....	2.8kg

## < Pickup >

Wave Length	.....	655mm
Laser Power	.....	CLASS II

NOTES : Due to Continuing product improvement, specifications and designs are subject to change without notice.

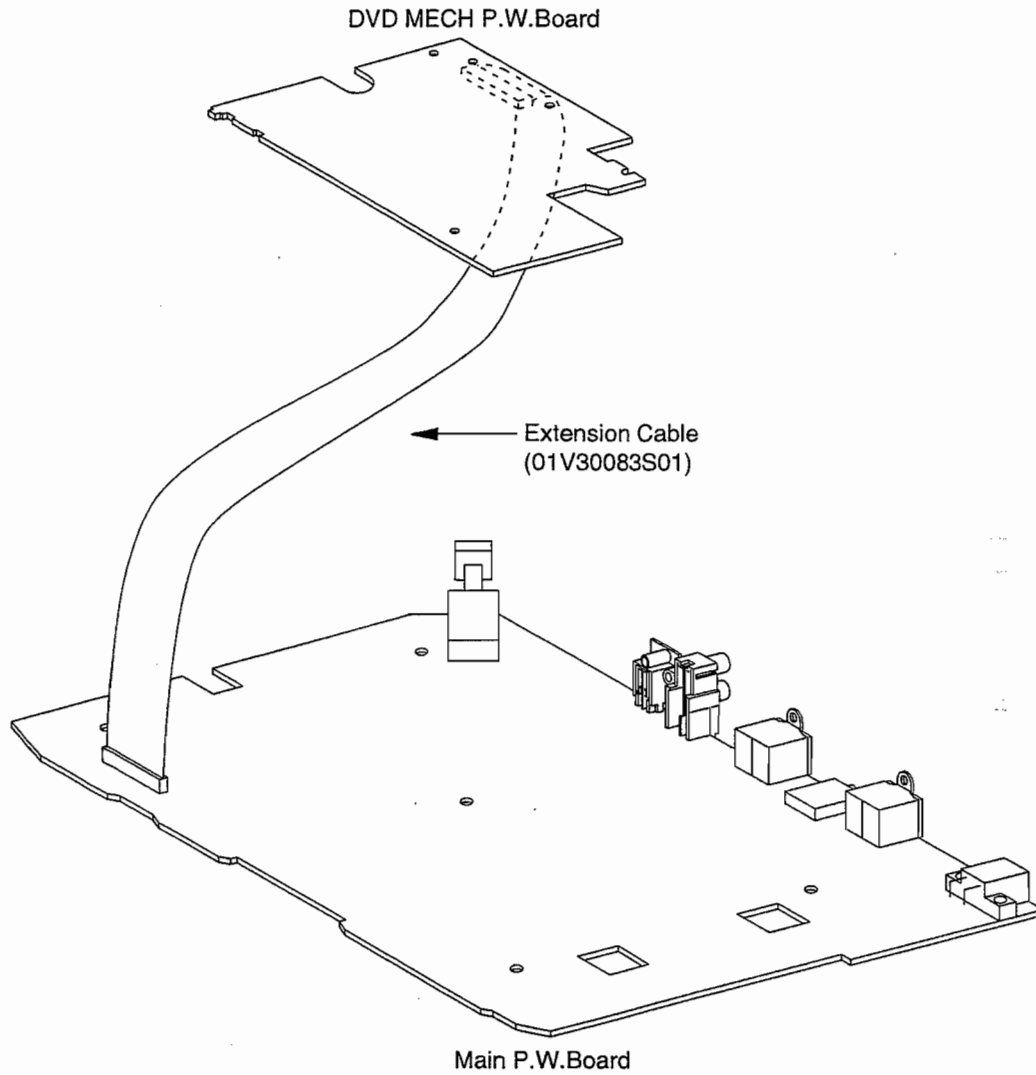
上記の規格および外観は、改良の為、予告なく変更することがあります。

○ : For North American Model Only, ● : For General Foreign Model Only,

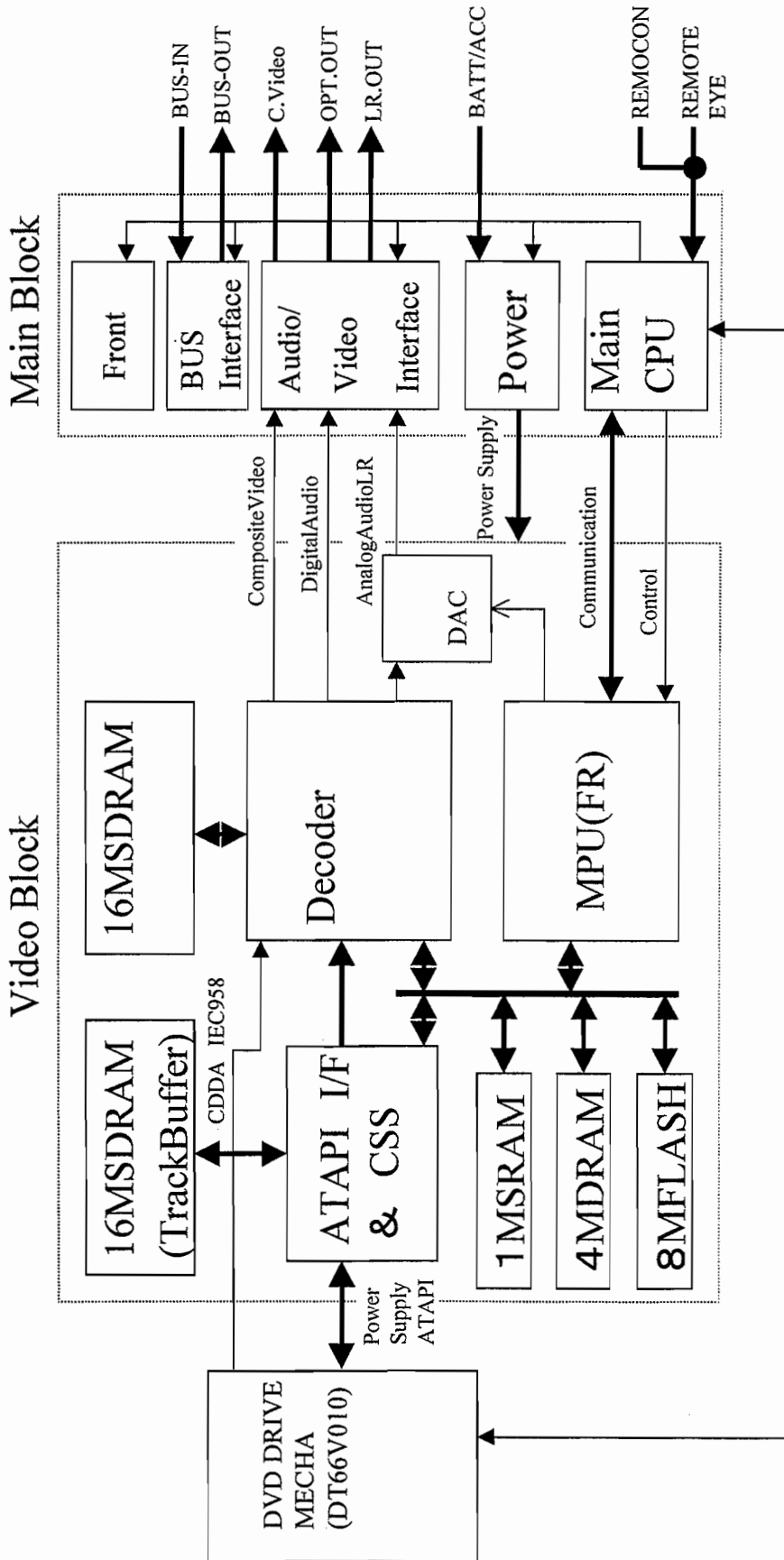
△ : For Japanese Model Only, Others : Common.

## Extension Cable

- When repairing or measuring the voltage of this unit, connect with the Extension Cable as shown in below.
- 本機を修理または電圧測定などの作業を行う場合は、以下に示す様にExtension Cable にて接続して下さい。



# Block Diagram



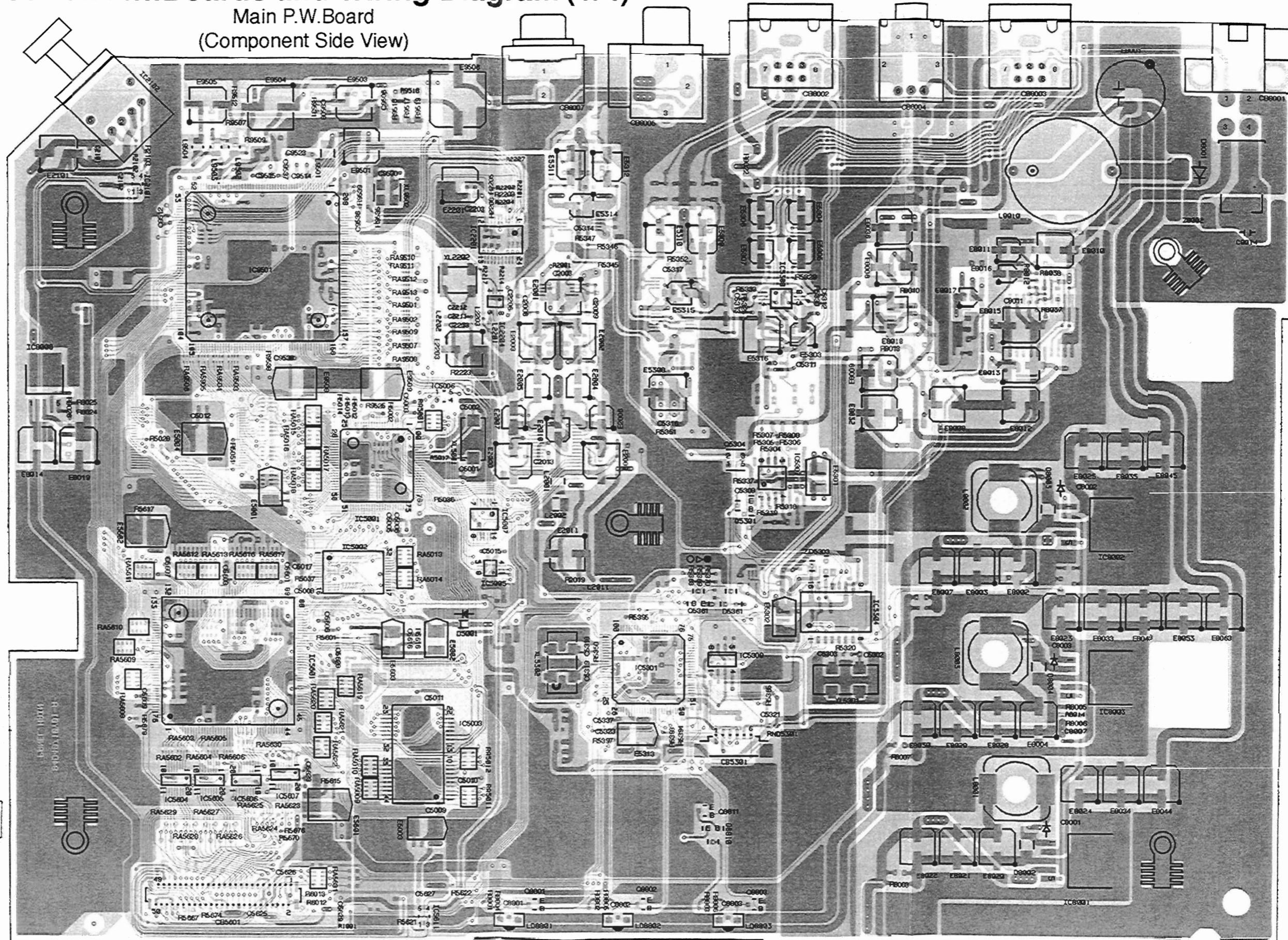
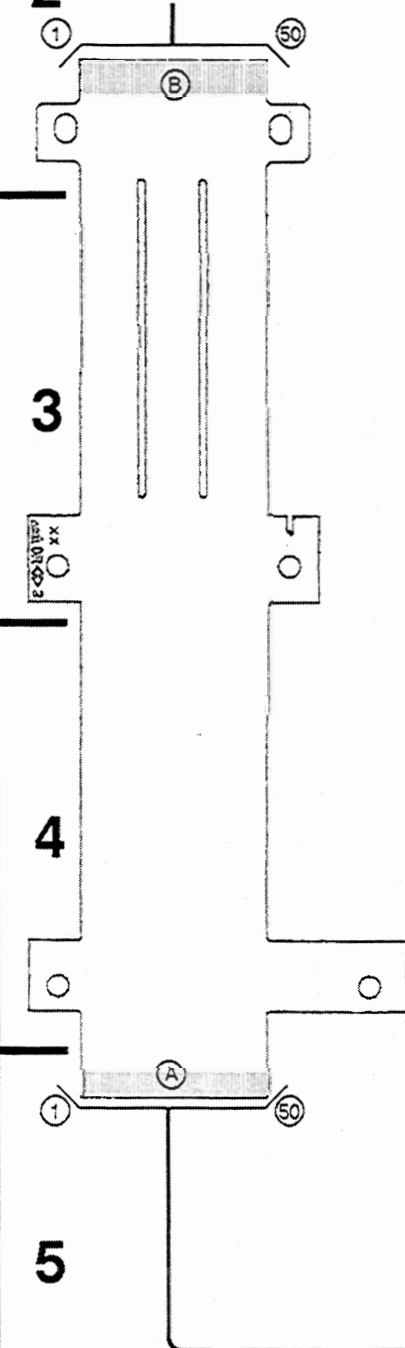
# Parts Layout on P.W.Boards and Wiring Diagram (1/4)

DHA-S680/DHA-S680P

Main P.W.Board  
(Component Side View)

FPC,S680 P.W.Board  
(Foil Side View)

To DVD MECH P.W.Board  
(CB6)



NOTE: ○:For North American Model Only,  
●:For General Foreign Model Only,  
△:For Japanese Model Only,  
Others:Common.

To CB5301  
1 6  
OPEN

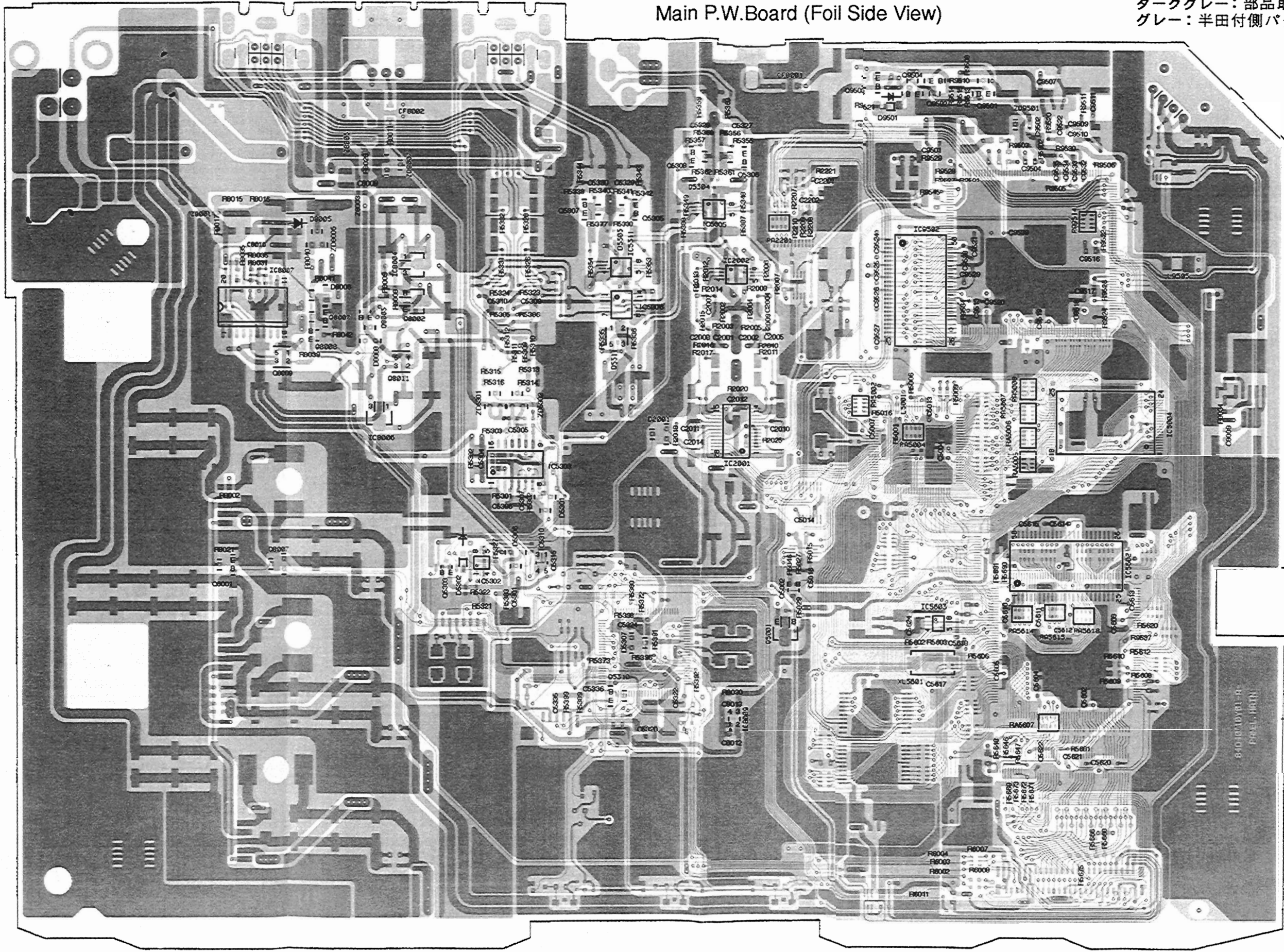
Dark Gray : Component Side Pattern  
Gray : Foil Side Pattern  
ダークグレー：部品取付側パターン  
グレー：半田付側パターン

# Parts Layout on P.W.Boards and Wiring Diagram (2/4)

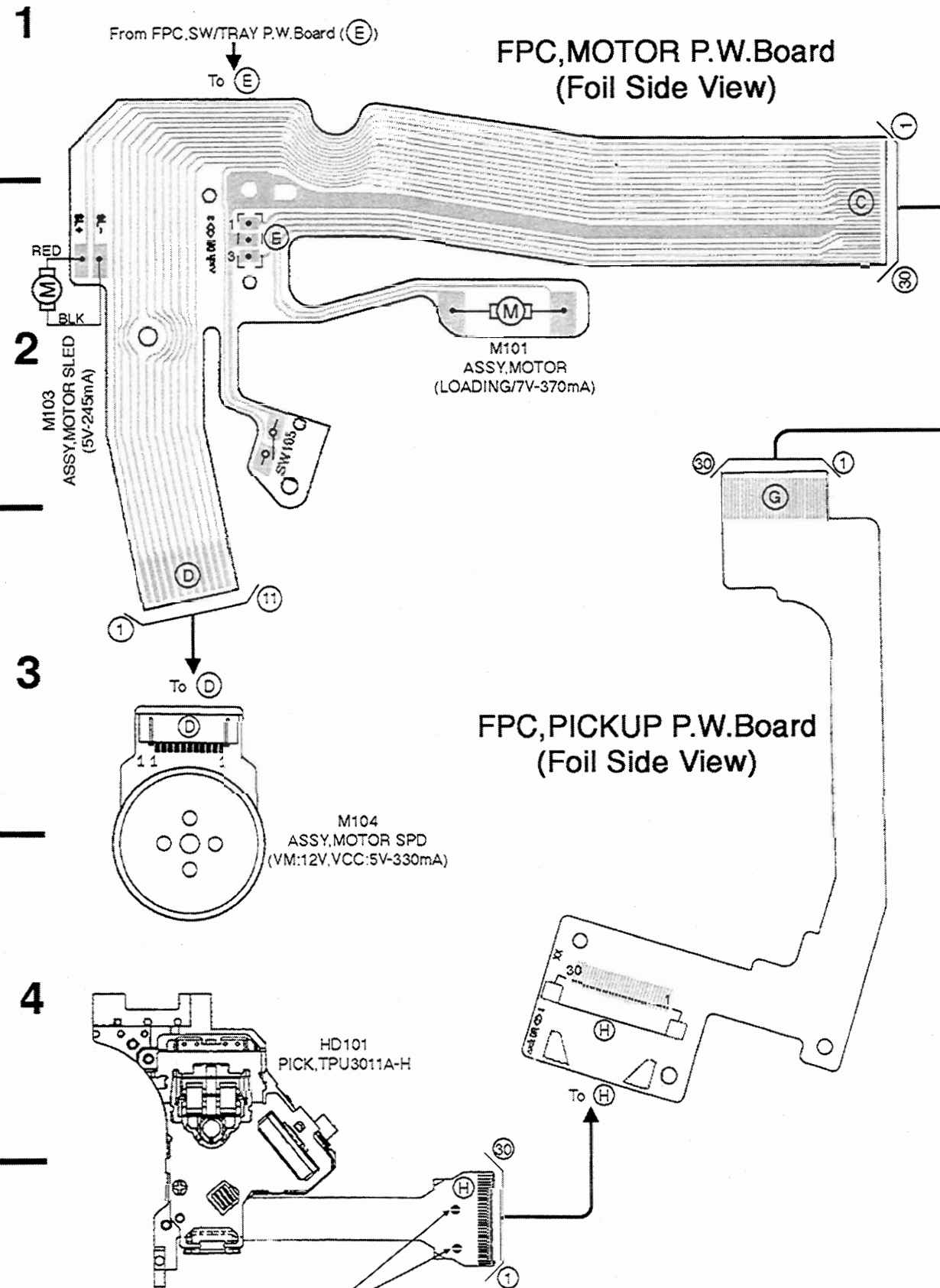
Dark Gray : Component Side Pattern  
 Gray : Foil Side Pattern  
 ダークグレー：部品取付側パターン  
 グレー：半田付側パターン

### Main P.W.Board (Foil Side View)

1  
2  
3  
4  
5

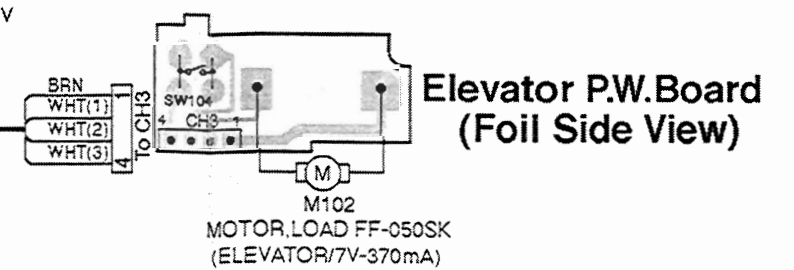
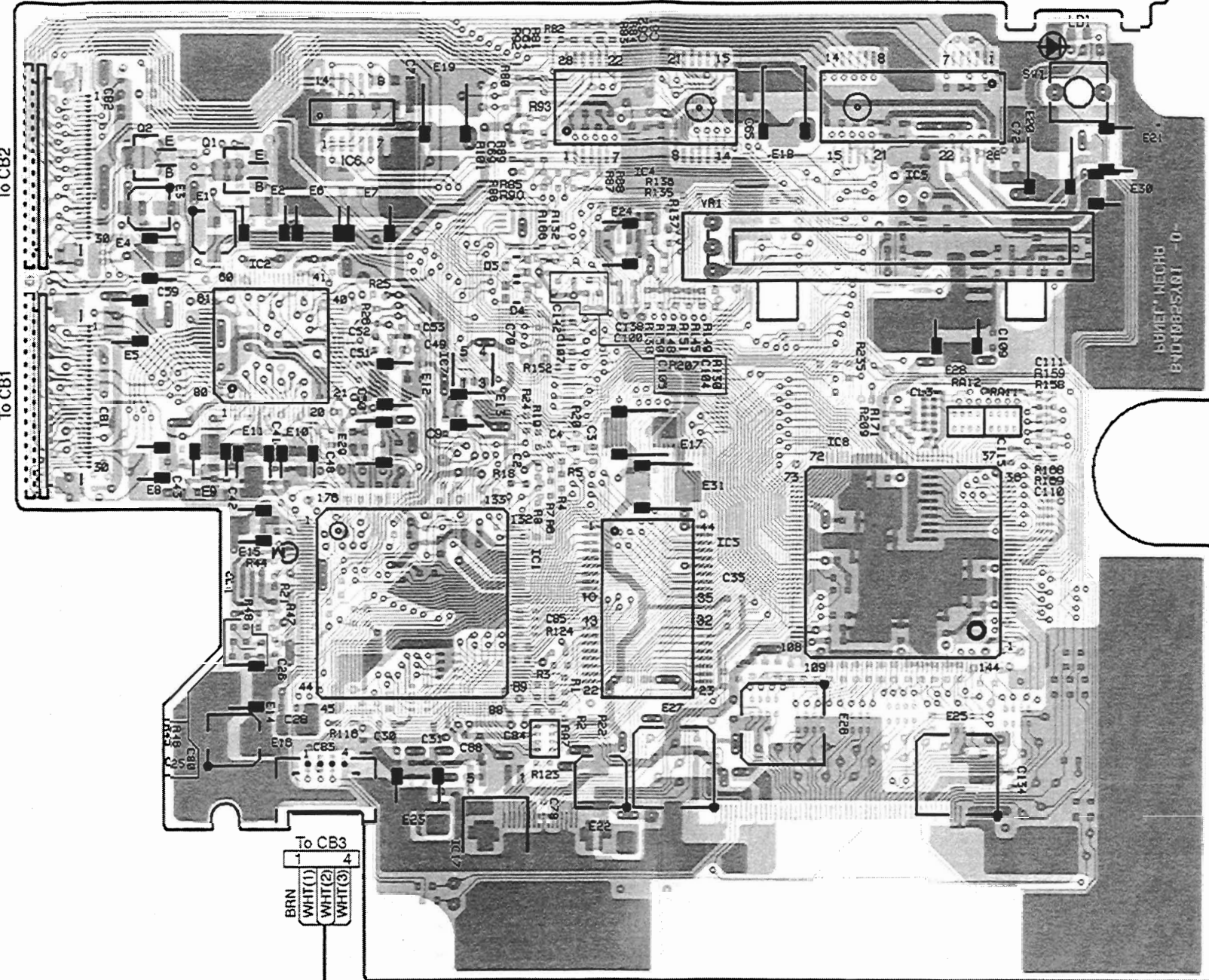


A | B | C | D | E | F | G



**NOTE :** The patterns should be short-circuited, when the PICK is removed from FPC PICKUP P.W. Board.  
**注記 :** PICKを外す場合は、必ずパターンショートして下さい。

**DVD MECH P.W. Board (Component Side View)**



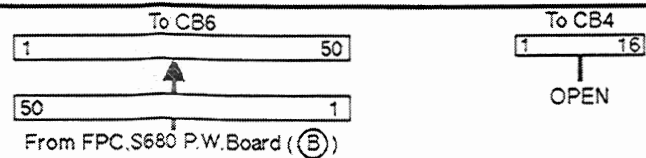
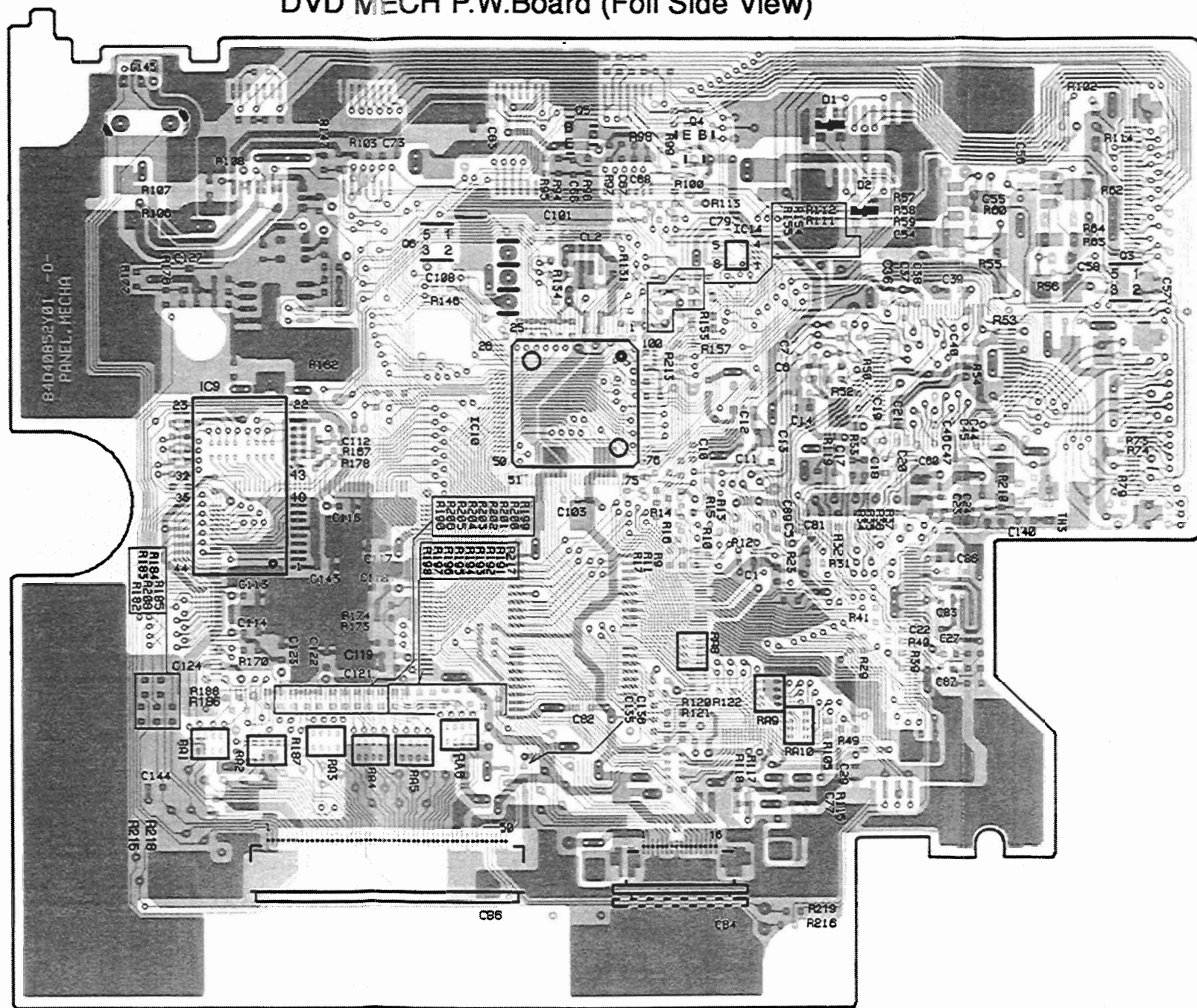
**Dark Gray :** Component Side Pattern  
**Gray :** Foil Side Pattern  
 ダークグレー：部品取付側パターン  
 グレー：半田付側パターン



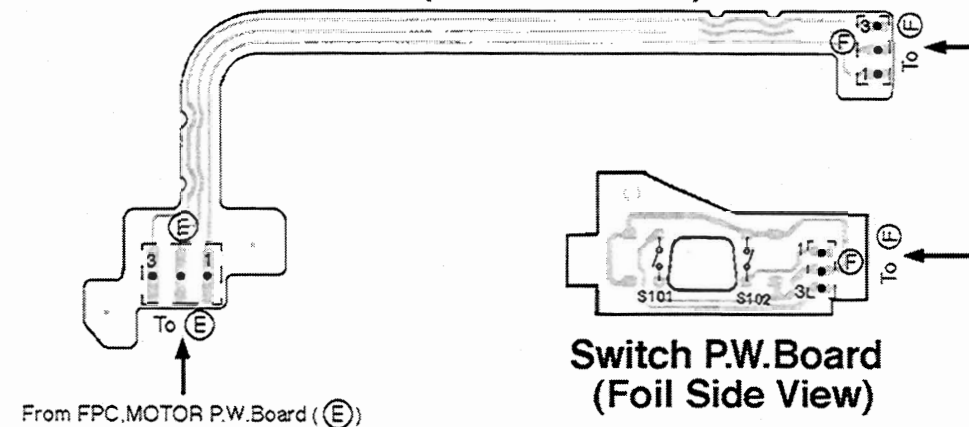
# Parts Layout on P.W.Boards and Wiring Diagram (4/4)

Dark Gray : Component Side Pattern  
 Gray : Foil Side Pattern  
 ダークグレー : 部品取付側パターン  
 グレー : 半田付側パターン

DVD MECH P.W.Board (Foil Side View)



FPC,SW/TRAY P.W.Board (Foil Side View)



A

B

C

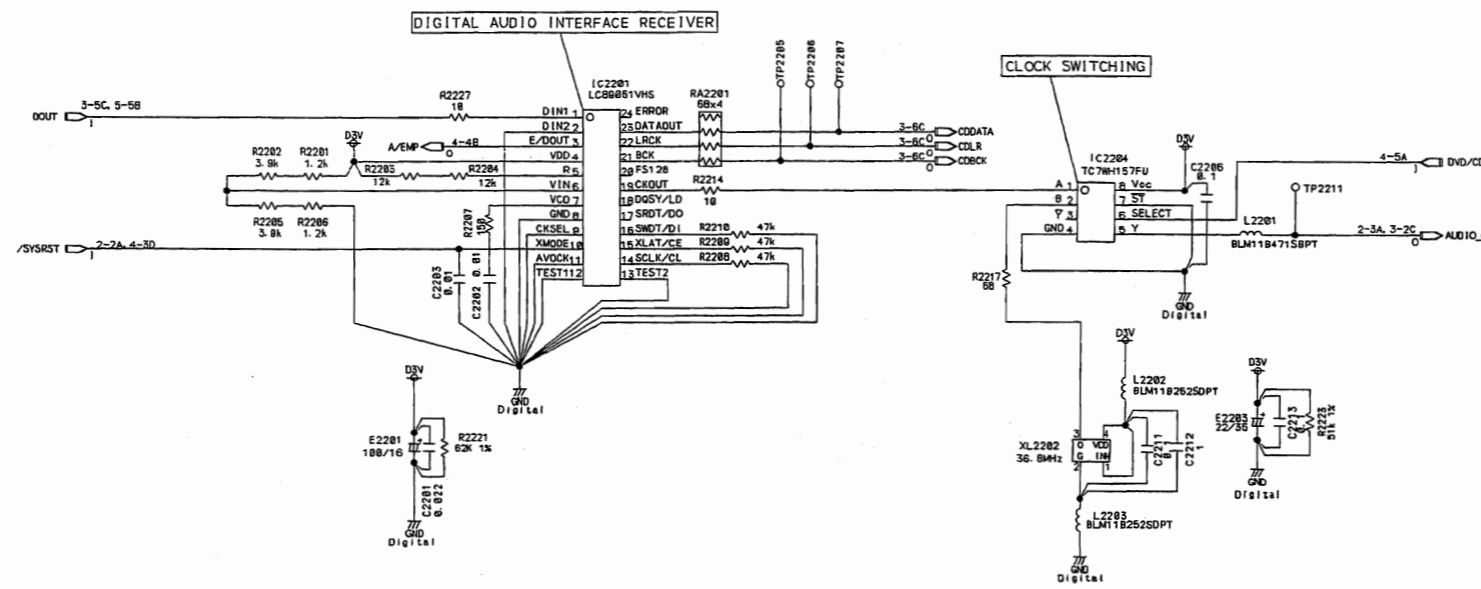
D

E

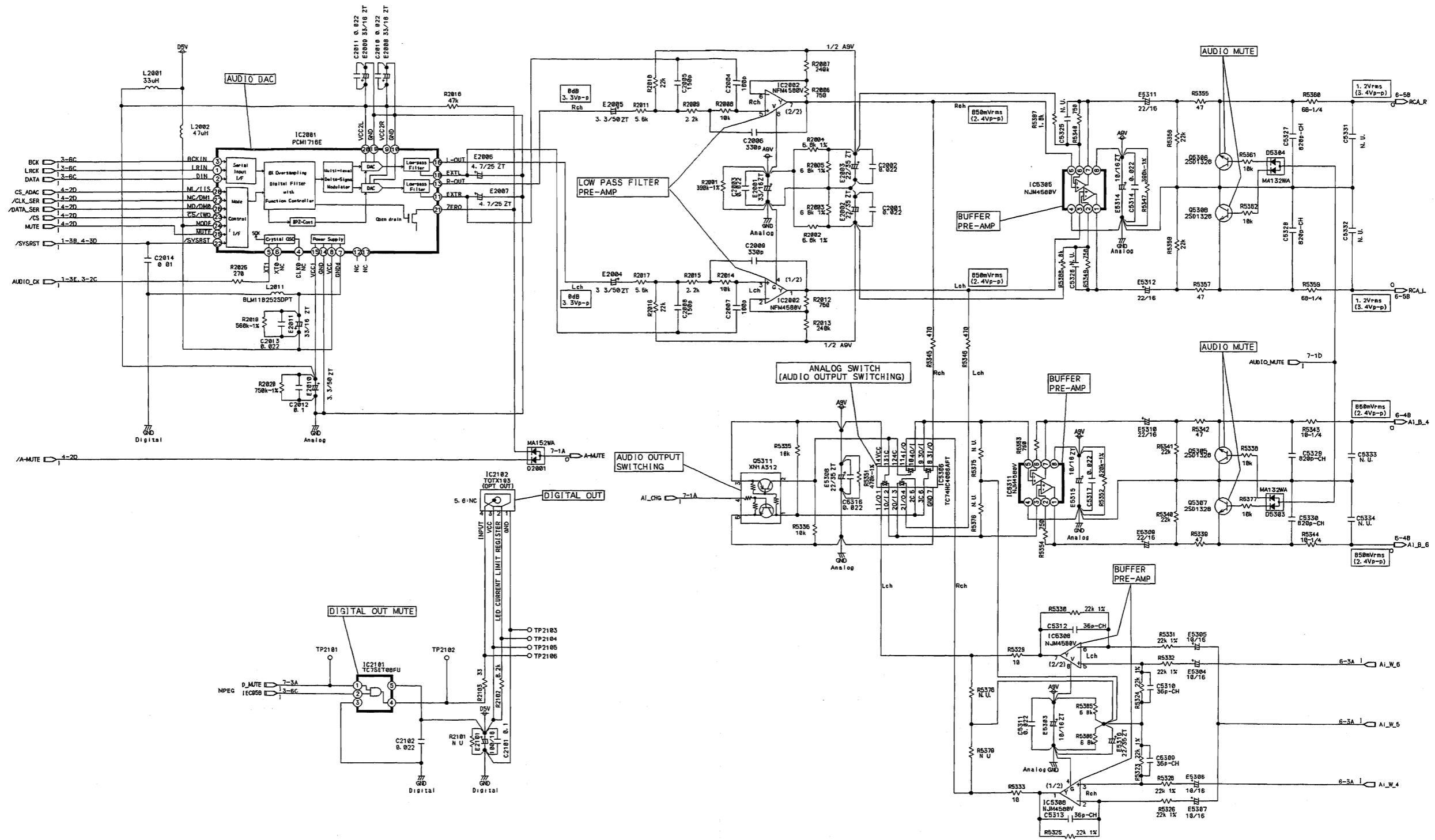
F

G

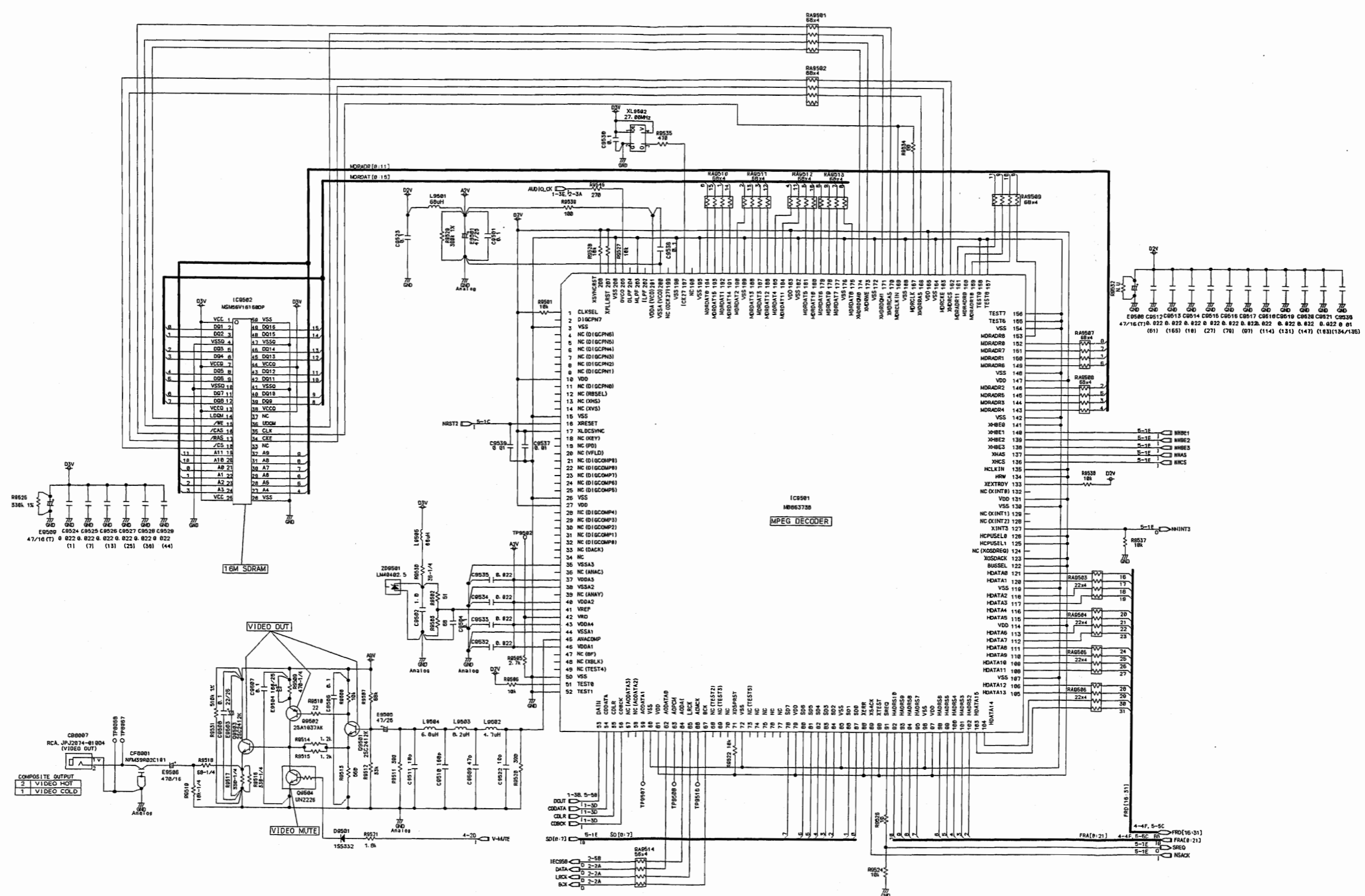




DHA-S680/DHA-S680P  
Schematic Diagram (2/11)

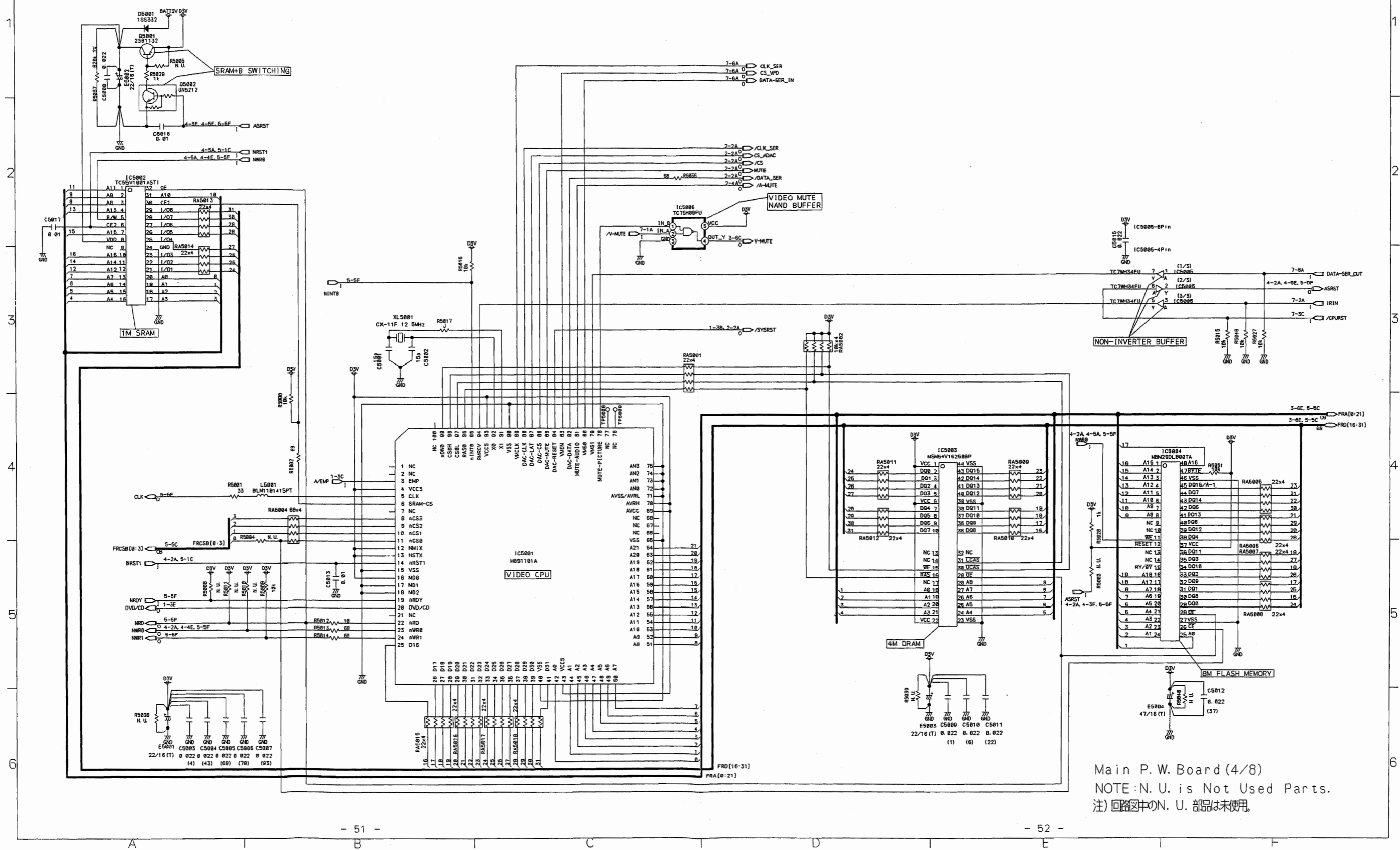


Main P.W. Board (2/8)  
NOTE: N. U. is Not Used Parts.  
注) 回路中のN. U. 部品は未使用。



Main P. W. Board (3/8)  
 NOTE: N. U. is Not Used Parts.  
 注) 回路图中N. U. 部品は未使用

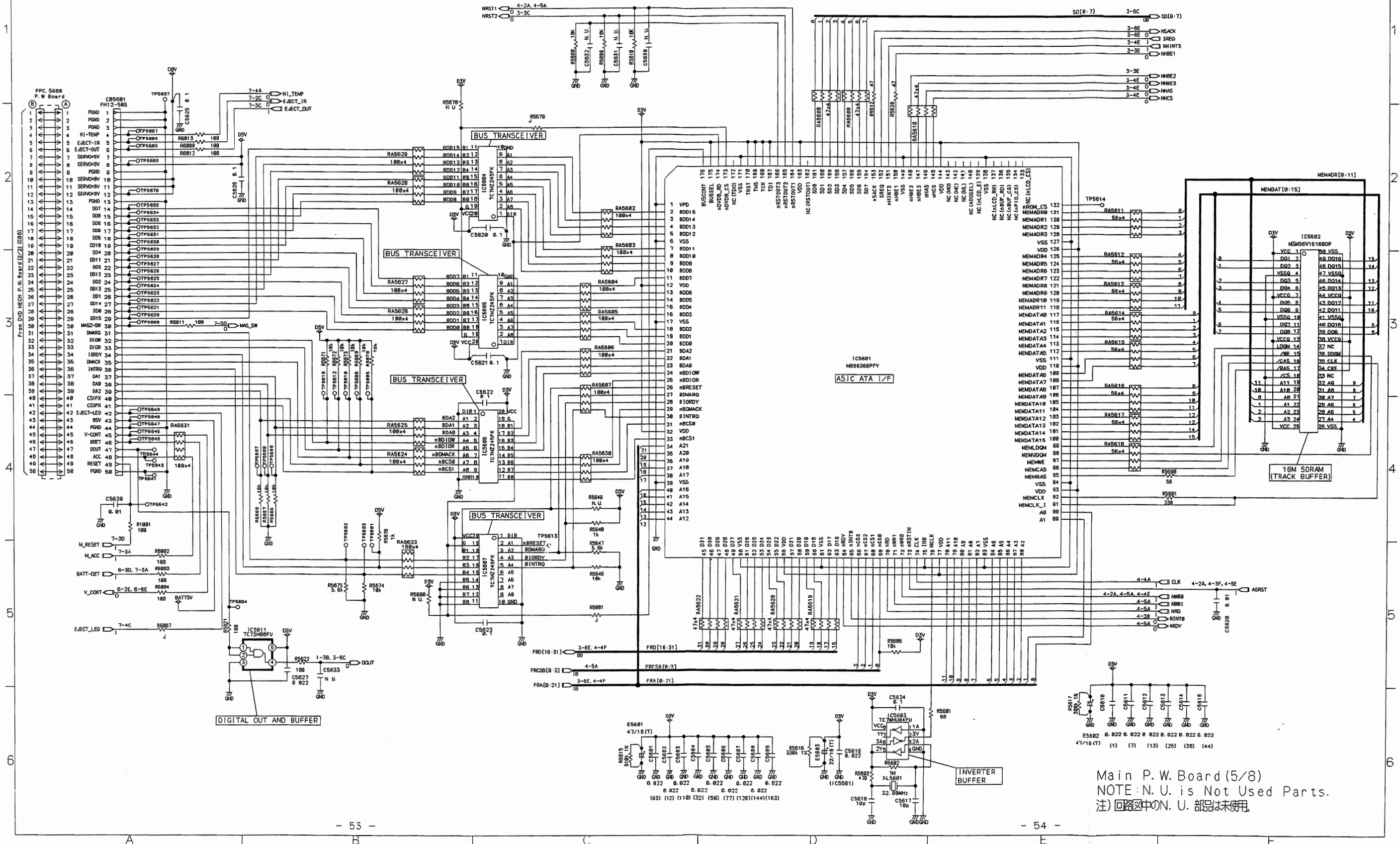
DHA-S680/DHA-S680P  
Schematic Diagram (4/11)



Main P.W. Board (4/8)  
NOTE: N. U. is Not Used Parts.  
注) 回路中のN. U. 部品は未使用。

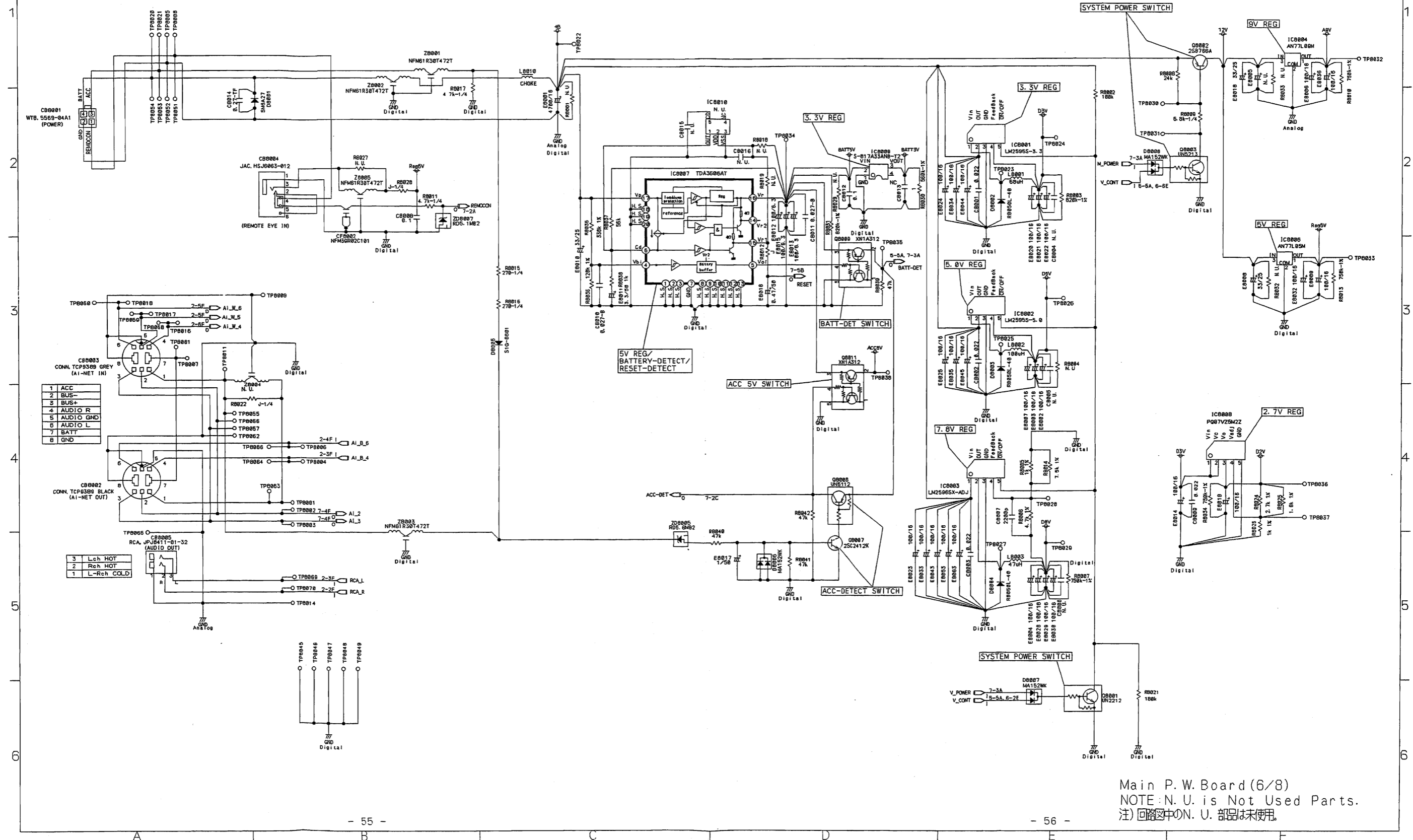
Schematic Diagram (5/11)

DHA-S680/DHA-S680P



Main P.W. Board (5/8)  
 NOTE: N. U. is Not Used Parts.  
 注) 回路中のN. U. 部品は未使用

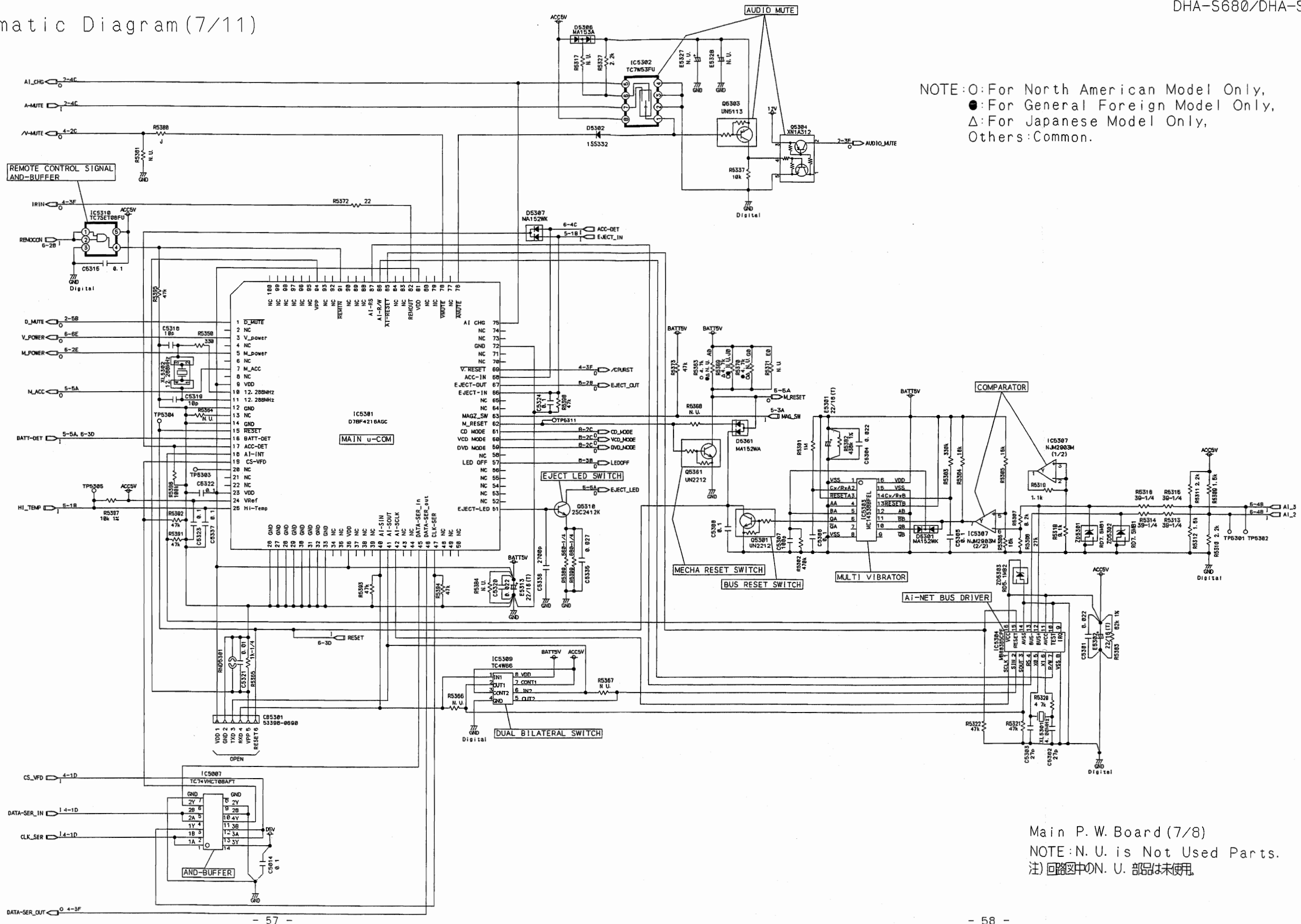
DHA-S680/DHA-S680P  
Schematic Diagram (6/11)



# Schematic Diagram (7/11)

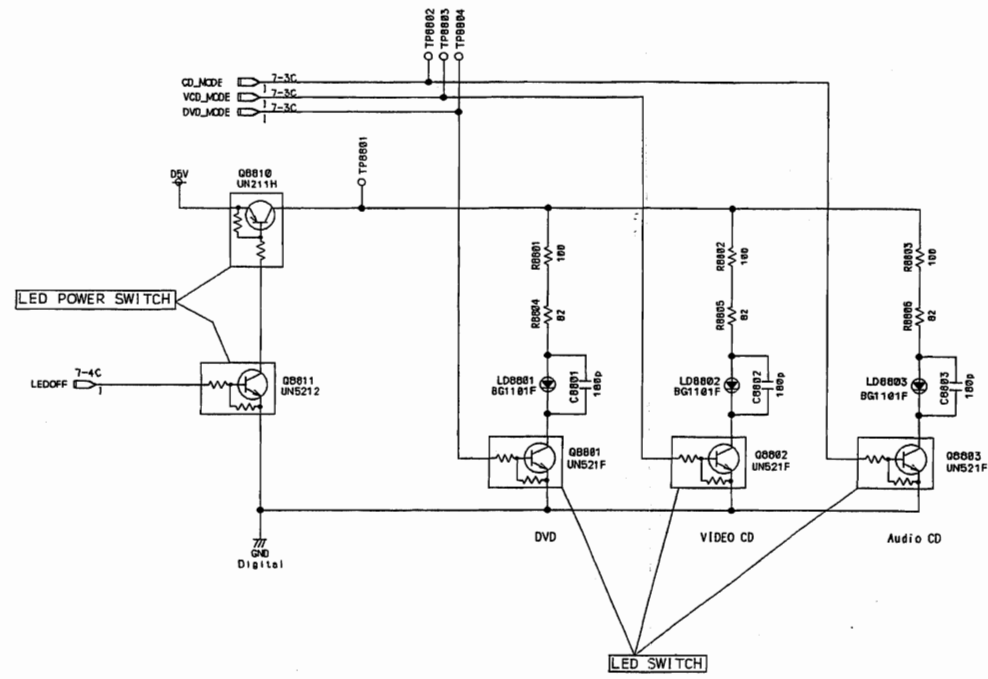
DHA-S680/DHA-S680P

NOTE: ○: For North American Model Only,  
●: For General Foreign Model Only,  
△: For Japanese Model Only,  
Others: Common.



Main P.W. Board (7/8)  
NOTE: N. U. is Not Used Parts.  
注) 回路中のN. U. 部品は未使用

DHA-S680/DHA-S680P  
Schematic Diagram (8/11)



Main P. W. Board (8/8)

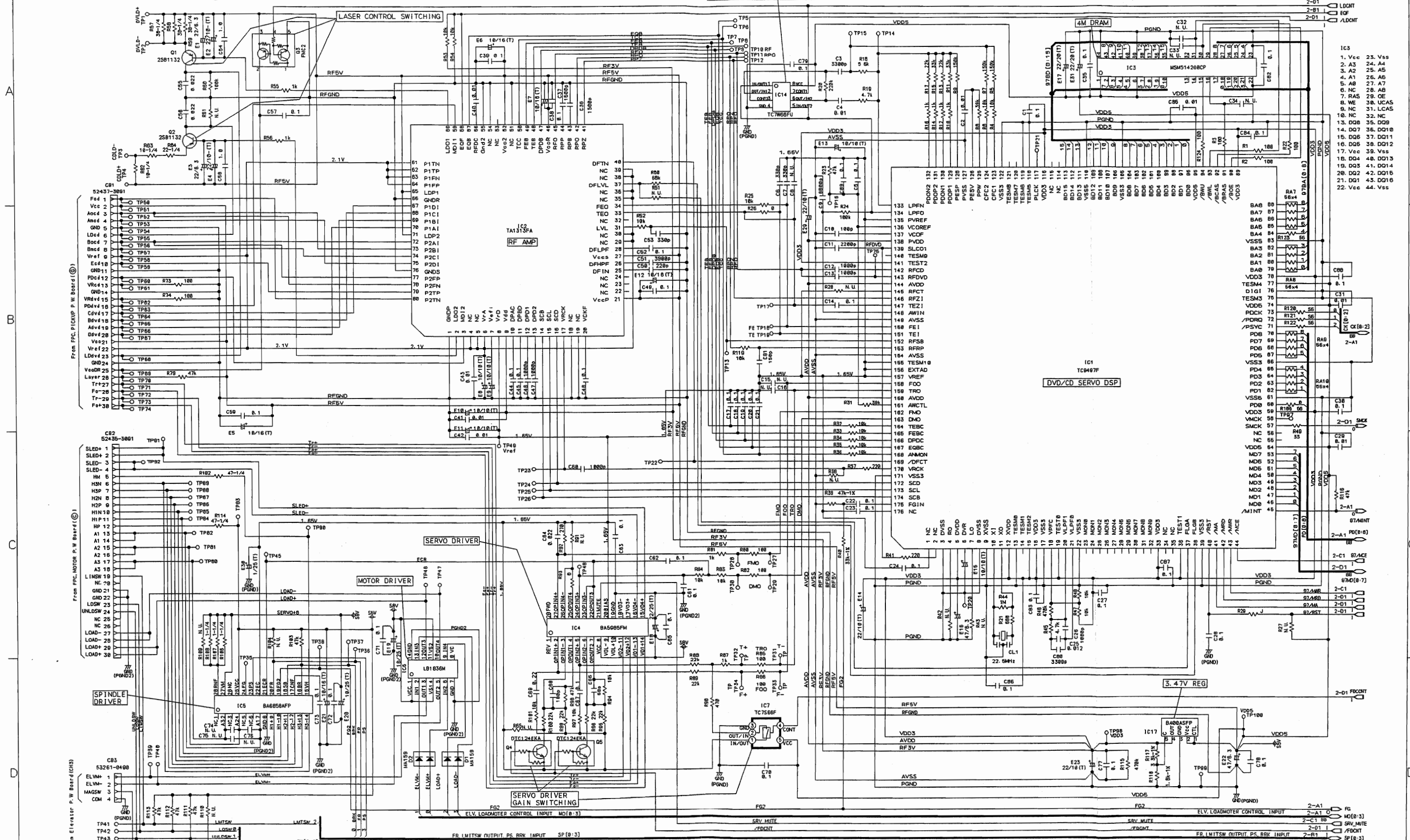


Schematic Diagram (9/11)

DHA-S680/DHA-S680P

CD/DVD L.P.F. SWITCHING

LASER CONTROL SWITCHING

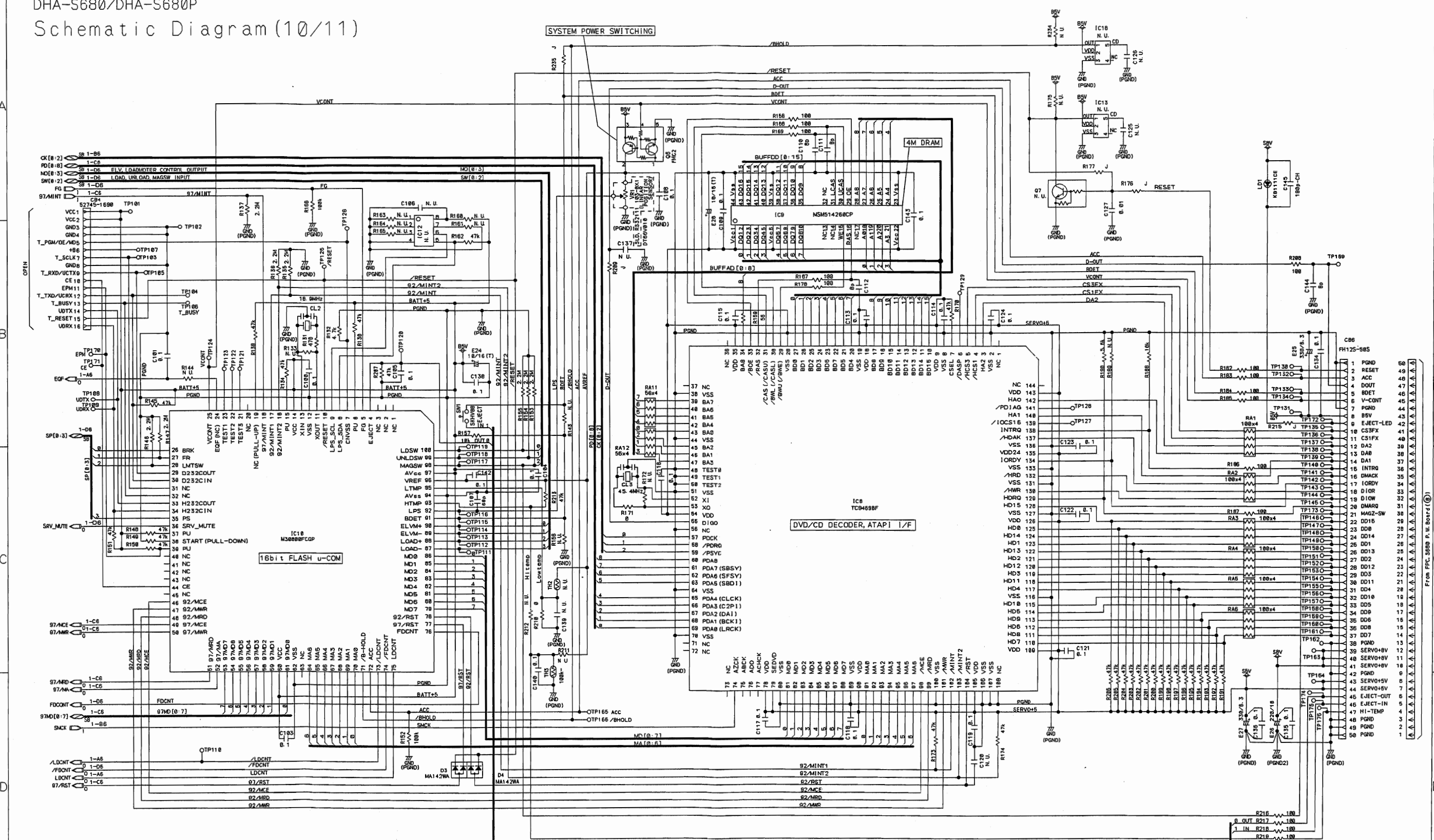


- IC3
- 1. Vcc 23. Vss
- 2. A3 24. A4
- 3. A2 25. A5
- 4. A1 26. A6
- 5. A8 27. A7
- 6. NC 28. AB
- 7. RA5 29. OE
- 8. WE 30. UCAS
- 9. NC 31. LCAS
- 10. NC 32. NC
- 13. D08 35. D09
- 14. D07 36. D018
- 15. D06 37. D011
- 16. D05 38. D012
- 17. Vcc 39. Vss
- 18. D04 40. D013
- 19. D03 41. D014
- 20. D02 42. D016
- 21. D01 43. D016
- 22. Vcc 44. Vss

DVD MECH P.W. Board (1/2)  
 NOTE: N.U. is Not Used Parts.  
 注) 回路図中のN.U. 部品は未使用。

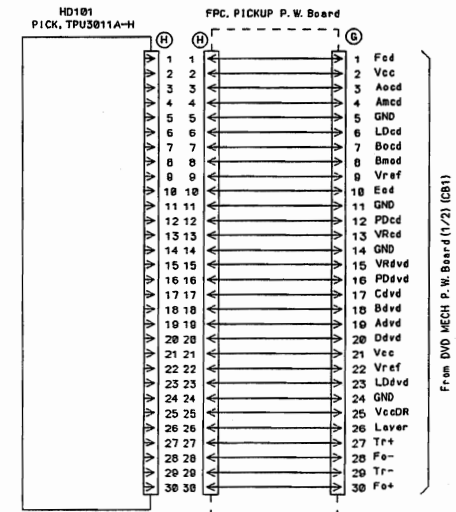
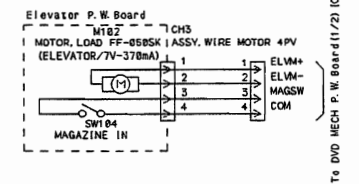
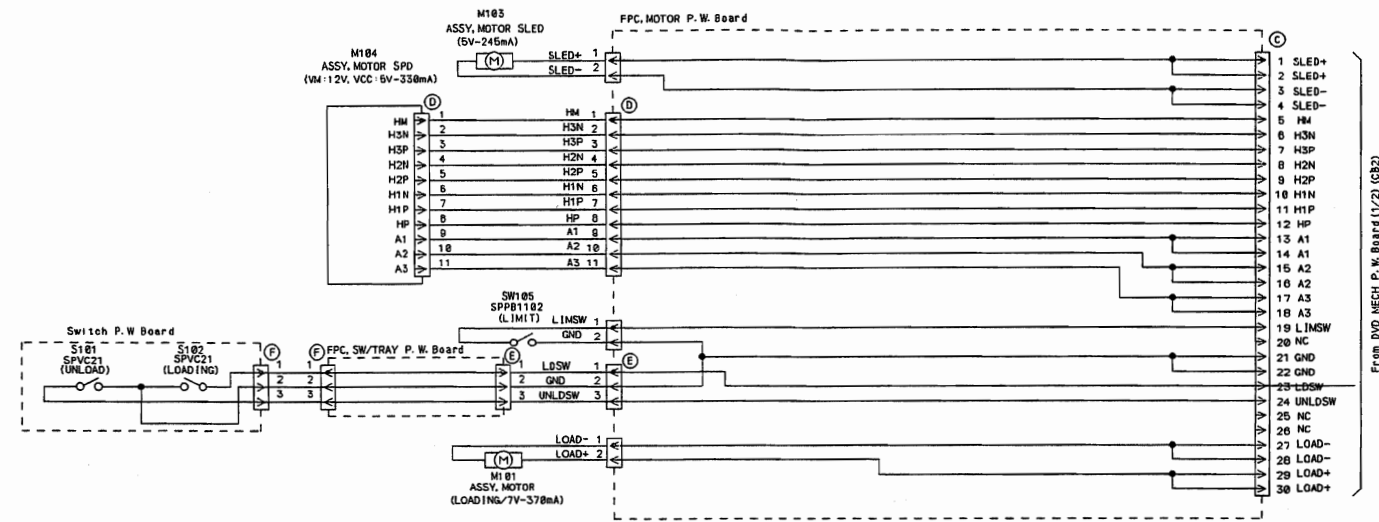
DHA-S680/DHA-S680P  
Schematic Diagram (10/11)

SYSTEM POWER SWITCHING



DVD MECH P.W. Board (2/2)  
NOTE: N.U. is Not Used Parts.  
注) 回路中のN.U. 部品は未使用。

Schematic Diagram (11/11)



Terminal Voltage of IC/TR

IC1									
1	—	37	0V	73	DIGITAL	109	DIGITAL	145	1.7V
2	—	38	0V	74	5V	110	0V	146	1.7V
3	0V	39	0V	75	0V	111	DIGITAL	147	1.7V
4	1.7V	40	H	76	DIGITAL	112	DIGITAL	148	2.2V
5	3.4V	41	DIGITAL	77	5V	113	DIGITAL	149	0V
6	1.7V	42	DIGITAL	78	3.4V	114	NC	150	1.7V
7	1.7V	43	DIGITAL	79	DIGITAL	115	NC	151	1.7V
8	0V	44	DIGITAL	80	DIGITAL	116	3.4V	152	2.2V
9	0V	45	DIGITAL	81	DIGITAL	117	CLK	153	1.5V
10	CLK	46	DIGITAL	82	DIGITAL	118	0V	154	0V
11	CLK	47	DIGITAL	83	0V	119	0V	155	1.7V
12	3.4V	48	DIGITAL	84	DIGITAL	120	NC	156	1.7V
13	0V	49	DIGITAL	85	DIGITAL	121	NC	157	1.7V
14	NC	50	DIGITAL	86	DIGITAL	122	0V	158	1.7V
15	3.4V	51	DIGITAL	87	DIGITAL	123	1.7V	159	1.7V
16	3.4V	52	DIGITAL	88	DIGITAL	124	1.7V	160	3.4V
17	0V	53	DIGITAL	89	3.4V	125	ANALOG	161	1.7V
18	1.7V	54	5V	90	DIGITAL	126	0.9V	162	ANALOG
19	3.4V	55	NC	91	DIGITAL	127	0V	163	ANALOG
20	1.7V	56	NC	92	DIGITAL	128	ANALOG	164	ANALOG
21	1.4V	57	CLK	93	DIGITAL	129	ANALOG	165	ANALOG
22	0V	58	CLK	94	DIGITAL	130	ANALOG	166	ANALOG
23	NC	59	3.4V	95	5V	131	ANALOG	167	ANALOG
24	NC	60	DIGITAL	96	DIGITAL	132	ANALOG	168	ANALOG
25	NC	61	0V	97	DIGITAL	133	1.7V	169	3.4V
26	NC	62	DIGITAL	98	DIGITAL	134	ANALOG	170	CLK
27	NC	63	DIGITAL	99	DIGITAL	135	1.7V	171	0V
28	NC	64	DIGITAL	100	DIGITAL	136	1.4V	172	0V
29	NC	65	DIGITAL	101	DIGITAL	137	0.6V	173	0V
30	NC	66	0V	102	DIGITAL	138	3.4V	174	0V
31	NC	67	DIGITAL	103	DIGITAL	139	1.7V	175	ANALOG
32	NC	68	DIGITAL	104	DIGITAL	140	NC	176	—
33	3.4V	69	DIGITAL	105	0V	141	3.4V		
34	NC	70	DIGITAL	106	DIGITAL	142	ANALOG		
35	NC	71	DIGITAL	107	DIGITAL	143	1.7V		
36	3.4V	72	DIGITAL	108	DIGITAL	144	3.4V		

IC2									
1	0V	17	CLK	33	1.7V	49	1.7V	65	5V
2	4.8V	18	0V	34	1.7V	50	1.7V	66	0V
3	0V	19	0V	35	2V	51	0V	67	2.2V
4	2V	20	1.5V	36	2V	52	5V	68	2.2V
5	2V	21	5V	37	0V	53	NC	69	2.2V
6	2V	22	NC	38	2V	54	0V	70	2.2V
7	1.2V	23	NC	39	2V	55	0V	71	5V
8	1.7V	24	NC	40	3.5V	56	1.3V	72	2V
9	3.4V	25	2V	41	1.7V	57	2.3V	73	2V
10	2V	26	1.7V	42	1.6V	58	1.7V	74	2V
11	2V	27	1.7V	43	2.4V	59	0.2V	75	2V
12	3.5V	28	2V	44	3V	60	3.3V	76	0V
13	3.5V	29	2V	45	2V	61	2V	77	2V
14	1.7V	30	2V	46	5V	62	2V	78	2V
15	0V	31	2.4V	47	1.5V	63	2V	79	2V
16	0V	32	NC	48	1.7V	64	2V	80	2V

IC3							
1	5V	13	NC	23	0V	35	DIGITAL
2	DIGITAL	14	NC	24	DIGITAL	36	DIGITAL
3	DIGITAL	15	DIGITAL	25	DIGITAL	37	DIGITAL
4	DIGITAL	16	DIGITAL	26	DIGITAL	38	DIGITAL
5	DIGITAL	17	NC	27	DIGITAL	39	0V
6	5V	18	DIGITAL	28	DIGITAL	40	DIGITAL
7	DIGITAL	19	DIGITAL	29	DIGITAL	41	DIGITAL
8	DIGITAL	20	DIGITAL	30	DIGITAL	42	DIGITAL
9	DIGITAL	21	DIGITAL	31	DIGITAL	43	DIGITAL
10	DIGITAL	22	5V	32	NC	44	0V

IC4							
1	NC	NC	NC	15	0V	0V	3.6V
2	0V	0V	1.7V	16	0V	0V	3.7V
3	0V	0V	1.7V	17	NC	NC	NC
4	0V	0V	1.7V	18	NC	NC	NC
5	0V	0V	1.7V	19	0V	0V	0V
6	0V	0V	1.7V	20	0V	0V	1.7V
7	0V	0V	1.7V	21	0V	0V	5V
8	0V	0V	7.7V	22	0V	0V	1.8V
9	NC	NC	NC	23	0V	0V	1.8V
10	0V	0V	0V	24	0V	0V	1.8V
11	0V	0V	3.6V	25	0V	0V	1.7V
12	0V	0V	3.6V	26	0V	0V	1.7V
13	0V	0V	3.5V	27	0V	0V	1.7V
14	0V	0V	3.8V	28	NC	NC	NC
MODE	STANDBY	POW OFF	DVD PLAY	MODE	STANDBY	POW OFF	DVD PLAY

IC5							
1	NC	NC	NC	15	0V	0V	1V
2	0V	0V	ANALOG	16	0V	0V	0V
3	NC	NC	NC	17	0V	0V	ANALOG
4	0V	0V	ANALOG	18	0V	0V	0V
5	NC	NC	NC	19	0V	0V	DIGITAL
6	NC	NC	NC	20	0V	0V	0V
7	0V	0V	ANALOG	21	0V	0V	1.8V
8	0V	0V	0V	22	0V	0V	1.7V
9	0V	0V	ANALOG	23	0V	0V	5V
10	0V	0V	ANALOG	24	NC	NC	NC
11	0V	0V	ANALOG	25	0V	0V	5V
12	0V	0V	ANALOG	26	NC	NC	NC
13	0V	0V	ANALOG	27	0V	0V	7.7V
14	0V	0V	ANALOG	28	0V	0V	7.7V
MODE	STANDBY	POW OFF	DVD PLAY	MODE	STANDBY	POW OFF	DVD PLAY

IC6			
1	7.7V	8	NC
2	4.5V	9	4.5V
3	0V	10	0V
4	7.7V	11	7.7V
5	0V	12	0V
6	4.5V	13	4.5V
7	0V	14	0V

IC7	
1	1.7V
2	1.7V
3	0V
4	0V
5	5V

IC9							
1	0V	0V	5V	23	0V	0V	0V
2	0V	0V	DIGITAL	24	0V	0V	DIGITAL
3	0V	0V	DIGITAL	25	0V	0V	DIGITAL
4	0V	0V	DIGITAL	26	0V	0V	DIGITAL
5	0V	0V	DIGITAL	27	0V	0V	DIGITAL
6	0V	0V	5V	28	0V	0V	DIGITAL
7	0V	0V	DIGITAL	29	0V	0V	DIGITAL
8	0V	0V	DIGITAL	30	0V	0V	DIGITAL
9	0V	0V	DIGITAL	31	0V	0V	DIGITAL
10	0V	0V	DIGITAL	32	NC	NC	NC
13	NC	NC	NC	35	0V	0V	DIGITAL
14	NC	NC	NC	36	0V	0V	DIGITAL
15	0V	0V	DIGITAL	37	0V	0V	DIGITAL
16	0V	0V	DIGITAL	38	0V	0V	DIGITAL
17	NC	NC	NC	39	0V	0V	0V
18	0V	0V	DIGITAL	40	0V	0V	DIGITAL
19	0V	0V	DIGITAL	41	0V	0V	DIGITAL
20	0V	0V	DIGITAL	42	0V	0V	DIGITAL
21	0V	0V	DIGITAL	43	0V	0V	DIGITAL
22	0V	0V	5V	44	0V	0V	0V
MODE	STANDBY	POW OFF	DVD PLAY	MODE	STANDBY	POW OFF	DVD PLAY

DHA-S680/DHA-S680P

IC8									
1	NC	30	H	59	H	88	DIGITAL	117	DIGITAL
2	OV	31	H	60	H	89	OV	118	DIGITAL
3	DIGITAL	32	H	61	DIGITAL	90	5V	119	DIGITAL
4	DIGITAL	33	H	62	DIGITAL	91	DIGITAL	120	DIGITAL
5	DIGITAL	34	H	63	DIGITAL	92	DIGITAL	121	DIGITAL
6	NC	35	5V	64	OV	93	DIGITAL	122	DIGITAL
7	H	36	NC	65	DIGITAL	94	DIGITAL	123	DIGITAL
8	OV	37	NC	66	DIGITAL	95	DIGITAL	124	DIGITAL
9	5V	38	OV	67	DIGITAL	96	DIGITAL	125	DIGITAL
10	L	39	L	68	DIGITAL	97	DIGITAL	126	5V
11	L	40	L	69	DIGITAL	98	DIGITAL	127	OV
12	L	41	L	70	OV	99	DIGITAL	128	DIGITAL
13	L	42	L	71	NC	100	OV	129	L
14	L	43	L	72	NC	101	H	130	DIGITAL
15	L	44	OV	73	NC	102	H	131	OV
16	L	45	L	74	CLK	103	H	132	H
17	L	46	L	75	NC	104	H	133	OV
18	5V	47	L	76	NC	105	5V	134	H
19	OV	48	OV	77	NC	106	OV	135	5V
20	L	49	OV	78	5V	107	OV	136	OV
21	L	50	OV	79	H	108	OV	137	H
22	L	51	OV	80	OV	109	5V	138	L
23	L	52	CLK	81	DIGITAL	110	DIGITAL	139	NC
24	L	53	CLK	82	DIGITAL	111	DIGITAL	140	L
25	L	54	5V	83	DIGITAL	112	DIGITAL	141	NC
26	L	55	DIGITAL	84	DIGITAL	113	DIGITAL	142	L
27	L	56	OV	85	DIGITAL	114	DIGITAL	143	5V
28	OV	57	CLK	86	DIGITAL	115	DIGITAL	144	NC
29	H	58	DIGITAL	87	DIGITAL	116	OV		

IC10									
1	NC	21	NC	41	NC	61	DIGITAL	81	DIGITAL
2	NC	22	NC	42	NC	62	OV	82	DIGITAL
3	NC	23	NC	43	NC	63	NC	83	DIGITAL
4	L	24	NC	44	L	64	DIGITAL	84	DIGITAL
5	DIGITAL	25	H	45	NC	65	DIGITAL	85	DIGITAL
6	H	26	L	46	DIGITAL	66	DIGITAL	86	DIGITAL
7	OV	27	L	47	DIGITAL	67	DIGITAL	87	H
8	H	28	H	48	DIGITAL	68	DIGITAL	88	H
9	L	29	2.5V	49	DIGITAL	69	DIGITAL	89	H
10	H	30	H	50	DIGITAL	70	DIGITAL	90	H
11	CLK	31	NC	51	DIGITAL	71	H	91	H
12	OV	32	NC	52	DIGITAL	72	H	92	1.5V
13	CLK	33	H	53	DIGITAL	73	L	93	H
14	5V	34	H	54	DIGITAL	74	H	94	L
15	5V	35	H	55	DIGITAL	75	H	95	L
16	4.8V	36	H	56	DIGITAL	76	L	96	H
17	4.8V	37	H	57	DIGITAL	77	H	97	H
18	4.1V	38	H	58	DIGITAL	78	H	98	H
19	4.7V	39	H	59	DIGITAL	79	DIGITAL	99	H
20	NC	40	NC	60	5V	80	DIGITAL	100	OV

IC14			
1	0V	0V	2V
2	0V	0V	2V
3	0V	0V	0V
4	0V	0V	0V
5	0V	0V	2V
6	0V	0V	2V
7	0V	0V	5V
8	0V	0V	5V
MODE	STANDBY	POW OFF	DVD PLAY

IC17	
1	5V
2	5V
3	0V
4	3.4V
5	1.2V

	E	C	B
Q1	3.5V	2.3V	4.2V
Q2	4.8V	0V	5V
Q4	5V	1.7V	1.7V
Q5	5V	1.7V	1.7V

	1	2	3	4	5
Q3	NC	4.8V	5V	5V	0V
Q6	NC	5V	5V	5V	0V

## [Measuring Conditions]

- Power Supply Voltage : DC14.4V
- Measuring Meter : Oscilloscope
- Measuring Point Reference : Between GND
- Measuring Condition : After connecting of UART, playback continual DVD (1st Layer Disc).

## [端子電圧測定条件]

1. 電源電圧 : DC14.4V
2. 測定機器 : オシロスコープ
3. 測定基準 : 対アース間
4. 測定条件 : UARTを接続し、DVD(1層ディスク)を連続再生する。

DHA-S680/DHA-S680P

IC2001							
1	5Vp-p(PS)	8	5V	15	5V	22	5Vp-p(PS)
2	5Vp-p(PS)	9	5V	16	2.5V	23	5Vp-p(PS)
3	5Vp-p(PS)	10	0V	17	NC	24	5V
4	NC	11	2.5V	18	2.5V	25	5Vp-p(PS)
5	PS	12	NC	19	0V	26	5Vp-p(PS)
6	NC	13	2.5V	20	5V	27	5Vp-p(PS)
7	0V	14	0V	21	4.9V	28	5Vp-p(PS)

IC2002	
1	4.5V
2	4.5V
3	4.5V
4	0V
5	4.5V
6	4.5V
7	4.5V
8	8.9V

IC2101	
1	5Vp-p(PS)
2	5Vp-p(PS)
3	0V
4	5Vp-p(PS)
5	5V

IC2102	
1	0V
2	2.2V
3	5V
4	2.5V
5	NC
6	NC

IC2201							
1	0V	7	1.6V	13	0V	19	2V
2	0V	8	0V	14	0V	20	NC
3	0V	9	0V	15	0V	21	3.3Vp-p(PS)
4	3.3V	10	0V	16	0V	22	3.3Vp-p(PS)
5	1.6V	11	0V	17	NC	23	3.3Vp-p(PS)
6	1.6V	12	0V	18	NC	24	NC

IC2204	
1	2V
2	PS
3	NC
4	0V
5	3.3Vp-p(PS)
6	3.3Vp-p(PS)
7	0V
8	3.3V



IC5001							
1	NC	26	3.3Vp-p(PS)	51	3.3Vp-p(PS)	76	NC
2	NC	27	3.3Vp-p(PS)	52	3.3Vp-p(PS)	77	NC
3	0V	28	3.3Vp-p(PS)	53	3.3Vp-p(PS)	78	3.3Vp-p(PS)
4	3.3V	29	3.3Vp-p(PS)	54	3.3Vp-p(PS)	79	3.3Vp-p(PS)
5	CLK	30	3.3Vp-p(PS)	55	3.3Vp-p(PS)	80	3.3Vp-p(PS)
6	3.3Vp-p(PS)	31	3.3Vp-p(PS)	56	3.3Vp-p(PS)	81	3.3Vp-p(PS)
7	NC	32	3.3Vp-p(PS)	57	3.3Vp-p(PS)	82	3.3Vp-p(PS)
8	3.3Vp-p(PS)	33	3.3Vp-p(PS)	58	3.3Vp-p(PS)	83	3.3Vp-p(PS)
9	3.3Vp-p(PS)	34	3.3Vp-p(PS)	59	3.3Vp-p(PS)	84	3.3Vp-p(PS)
10	3.3Vp-p(PS)	35	3.3Vp-p(PS)	60	3.3Vp-p(PS)	85	3.3Vp-p(PS)
11	3.3Vp-p(PS)	36	3.3Vp-p(PS)	61	3.3Vp-p(PS)	86	3.3Vp-p(PS)
12	3.3V	37	3.3Vp-p(PS)	62	3.3Vp-p(PS)	87	3.3Vp-p(PS)
13	3.3V	38	3.3Vp-p(PS)	63	3.3Vp-p(PS)	88	3.3Vp-p(PS)
14	3.3Vp-p(PS)	39	3.3Vp-p(PS)	64	3.3Vp-p(PS)	89	3.3Vp-p(PS)
15	0V	40	0V	65	0V	90	0V
16	3.3V	41	3.3Vp-p(PS)	66	NC	91	PS
17	0V	42	3.3Vp-p(PS)	67	NC	92	PS
18	0V	43	3.3V	68	NC	93	3.3V
19	3.3Vp-p(PS)	44	3.3Vp-p(PS)	69	3.3V	94	3.3Vp-p(PS)
20	3.3Vp-p(PS)	45	3.3Vp-p(PS)	70	3.3V	95	3.3Vp-p(PS)
21	NC	46	3.3Vp-p(PS)	71	0V	96	3.3Vp-p(PS)
22	3.3Vp-p(PS)	47	3.3Vp-p(PS)	72	0V	97	3.3Vp-p(PS)
23	3.3Vp-p(PS)	48	3.3Vp-p(PS)	73	0V	98	3.3Vp-p(PS)
24	3.3Vp-p(PS)	49	3.3Vp-p(PS)	74	0V	99	3.3Vp-p(PS)
25	3.3Vp-p(PS)	50	3.3Vp-p(PS)	75	0V	100	NC

IC5002							
1	3.3Vp-p(PS)	9	NC	17	3.3Vp-p(PS)	25	3.3Vp-p(PS)
2	3.3Vp-p(PS)	10	3.3Vp-p(PS)	18	3.3Vp-p(PS)	26	3.3Vp-p(PS)
3	3.3Vp-p(PS)	11	3.3Vp-p(PS)	19	3.3Vp-p(PS)	27	3.3Vp-p(PS)
4	3.3Vp-p(PS)	12	3.3Vp-p(PS)	20	3.3Vp-p(PS)	28	3.3Vp-p(PS)
5	3.3Vp-p(PS)	13	3.3Vp-p(PS)	21	3.3Vp-p(PS)	29	3.3Vp-p(PS)
6	3.3Vp-p(PS)	14	3.3Vp-p(PS)	22	3.3Vp-p(PS)	30	3.3Vp-p(PS)
7	3.3Vp-p(PS)	15	3.3Vp-p(PS)	23	3.3Vp-p(PS)	31	3.3Vp-p(PS)
8	3.3V	16	3.3Vp-p(PS)	24	0V	32	3.3Vp-p(PS)

IC5003							
1	3.3V	13	NC	23	0V	35	3.3Vp-p(PS)
2	3.3Vp-p(PS)	14	NC	24	3.3Vp-p(PS)	36	3.3Vp-p(PS)
3	3.3Vp-p(PS)	15	3.3Vp-p(PS)	25	3.3Vp-p(PS)	37	3.3Vp-p(PS)
4	3.3Vp-p(PS)	16	3.3Vp-p(PS)	26	3.3Vp-p(PS)	38	3.3Vp-p(PS)
5	3.3Vp-p(PS)	17	NC	27	3.3Vp-p(PS)	39	0V
6	3.3V	18	3.3Vp-p(PS)	28	3.3Vp-p(PS)	40	3.3Vp-p(PS)
7	3.3Vp-p(PS)	19	3.3Vp-p(PS)	29	3.3Vp-p(PS)	41	3.3Vp-p(PS)
8	3.3Vp-p(PS)	20	3.3Vp-p(PS)	30	3.3Vp-p(PS)	42	3.3Vp-p(PS)
9	3.3Vp-p(PS)	21	3.3Vp-p(PS)	31	3.3Vp-p(PS)	43	3.3Vp-p(PS)
10	3.3Vp-p(PS)	22	3.3V	32	NC	44	0V

DHA-S680/DHA-S680P

IC5004							
1	3.3Vp-p(PS)	13	NC	25	3.3Vp-p(PS)	37	3.3V
2	3.3Vp-p(PS)	14	NC	26	3.3Vp-p(PS)	38	3.3Vp-p(PS)
3	3.3Vp-p(PS)	15	NC	27	0V	39	3.3Vp-p(PS)
4	3.3Vp-p(PS)	16	3.3Vp-p(PS)	28	3.3Vp-p(PS)	40	3.3Vp-p(PS)
5	3.3Vp-p(PS)	17	3.3Vp-p(PS)	29	3.3Vp-p(PS)	41	3.3Vp-p(PS)
6	3.3Vp-p(PS)	18	3.3Vp-p(PS)	30	3.3Vp-p(PS)	42	3.3Vp-p(PS)
7	3.3Vp-p(PS)	19	3.3Vp-p(PS)	31	3.3Vp-p(PS)	43	3.3Vp-p(PS)
8	3.3Vp-p(PS)	20	3.3Vp-p(PS)	32	3.3Vp-p(PS)	44	3.3Vp-p(PS)
9	NC	21	3.3Vp-p(PS)	33	3.3Vp-p(PS)	45	3.3Vp-p(PS)
10	NC	22	3.3Vp-p(PS)	34	3.3Vp-p(PS)	46	0V
11	3.3Vp-p(PS)	23	3.3Vp-p(PS)	35	3.3Vp-p(PS)	47	3.3V
12	3.3V	24	3.3Vp-p(PS)	36	3.3Vp-p(PS)	48	3.3Vp-p(PS)

IC5005	
1	5Vp-p(PS)
2	3Vp-p(PS)
3	5Vp-p(PS)
4	0V
5	3Vp-p(PS)
6	5Vp-p(PS)
7	3Vp-p(PS)
8	3.3V

IC5006	
1	3.3Vp-p(PS)
2	5Vp-p(PS)
3	0V
4	0V
5	3.3V

IC5007			
1	CLK	8	NC
2	CLK	9	0V
3	5Vp-p(PS)	10	0V
4	5Vp-p(PS)	11	5Vp-p(PS)
5	5Vp-p(PS)	12	5Vp-p(PS)
6	5Vp-p(PS)	13	5Vp-p(PS)
7	0V	14	5V

IC5301							
1	5V <sub>p-p</sub> (PS)	26	0V	51	5V <sub>p-p</sub> (PS)	76	5V <sub>p-p</sub> (PS)
2	NC	27	0V	52	NC	77	NC
3	5V	28	0V	53	NC	78	5V <sub>p-p</sub> (PS)
4	NC	29	0V	54	NC	79	NC
5	5V	30	0V	55	NC	80	NC
6	NC	31	0V	56	NC	81	5V
7	5V	32	0V	57	5V <sub>p-p</sub> (PS)	82	5V <sub>p-p</sub> (PS)
8	NC	33	0V	58	NC	83	NC
9	5V	34	NC	59	5V <sub>p-p</sub> (PS)	84	NC
10	CLK	35	NC	60	5V <sub>p-p</sub> (PS)	85	5V <sub>p-p</sub> (PS)
11	CLK	36	5V	61	5V <sub>p-p</sub> (PS)	86	5V <sub>p-p</sub> (PS)
12	0V	37	NC	62	0V	87	5V <sub>p-p</sub> (PS)
13	NC	38	NC	63	4.9V	88	NC
14	0V	39	NC	64	NC	89	NC
15	5V	40	5V <sub>p-p</sub> (PS)	65	NC	90	NC
16	5V	41	5V <sub>p-p</sub> (PS)	66	0V	91	5V <sub>p-p</sub> (PS)
17	5V	42	5V <sub>p-p</sub> (PS)	67	0V	92	NC
18	5V <sub>p-p</sub> (PS)	43	NC	68	5V	93	NC
19	5V <sub>p-p</sub> (PS)	44	NC	69	5V	94	0V
20	NC	45	5V <sub>p-p</sub> (PS)	70	NC	95	NC
21	NC	46	5V <sub>p-p</sub> (PS)	71	NC	96	NC
22	NC	47	5V <sub>p-p</sub> (PS)	72	0V	97	NC
23	5V	48	NC	73	NC	98	NC
24	4.9V	49	NC	74	NC	99	NC
25	5V <sub>p-p</sub>	50	NC	75	5V <sub>p-p</sub> (PS)	100	NC

IC5302	
1	5V <sub>p-p</sub> (PS)
2	0V
3	0V
4	0V
5	5V <sub>p-p</sub> (PS)
6	4V
7	5V <sub>p-p</sub> (PS)
8	4.9V

IC5303			
1	0V	9	NC
2	4.6V	10	5V <sub>p-p</sub> (PS)
3	5V	11	5V <sub>p-p</sub> (PS)
4	0V	12	0V
5	5V <sub>p-p</sub> (PS)	13	5V
6	5V <sub>p-p</sub> (PS)	14	5V <sub>p-p</sub> (PS)
7	NC	15	0V
8	0V	16	5V

IC5304			
1	5V <sub>p-p</sub> (PS)	9	5V <sub>p-p</sub> (PS)
2	5V <sub>p-p</sub> (PS)	10	0V
3	5V <sub>p-p</sub> (PS)	11	4.9V
4	5V <sub>p-p</sub> (PS)	12	5V <sub>p-p</sub> (PS)
5	1.8V	13	5V <sub>p-p</sub> (PS)
6	2.4V	14	0V
7	5V <sub>p-p</sub> (PS)	15	5V <sub>p-p</sub> (PS)
8	0V	16	4.9V

IC5305	
1	4.5V
2	4.5V
3	4.5V
4	0V
5	4.5V
6	4.5V
7	4.5V
8	8.9V

DHA-S680/DHA-S680P

IC5306			
1	4.5V	8	8.9V
2	4.5V	9	4.5V
3	4.5V	10	4.5V
4	0V	11	4.5V
5	4.5V	12	0V
6	4.5V	13	0V
7	4.5V	14	8.9V

IC5307	
1	0V
2	0V
3	0V
4	NC
5	2V
6	1.5V
7	4.9V
8	NC

IC5308	
1	4.5V
2	4.5V
3	4.5V
4	0V
5	4.5V
6	4.5V
7	4.5V
8	8.9V

IC5309	
1	5Vp-p(PS)
2	5Vp-p(PS)
3	4.9V
4	0V
5	5Vp-p(PS)
6	5Vp-p(PS)
7	4.9V
8	5V

IC5310	
1	5Vp-p(PS)
2	5Vp-p(PS)
3	0V
4	5Vp-p(PS)
5	5V

IC5311			
1	4.5V	5	4.5V
2	4.5V	6	4.5V
3	4.5V	7	4.5V
4	0V	8	8.9V

IC5601							
1	0V	45	3.3Vp-p	89	3.3Vp-p	133	NC
2	3.3Vp-p	46	3.3Vp-p	90	3.3Vp-p	134	NC
3	3.3Vp-p	47	3.3Vp-p	91	CLK	135	NC
4	3.3Vp-p	48	3.3Vp-p	92	CLK	136	NC
5	3.3Vp-p	49	3.3Vp-p	93	3.3V	137	NC
6	0V	50	0V	94	0V	138	0V
7	3.3Vp-p	51	3.3Vp-p	95	3.3Vp-p	139	NC
8	3.3Vp-p	52	3.3Vp-p	96	3.3Vp-p	140	NC
9	3.3Vp-p	53	3.3Vp-p	97	3.3Vp-p	141	NC
10	3.3Vp-p	54	3.3Vp-p	98	3.3Vp-p	142	NC
11	3.3Vp-p	55	3.3Vp-p	99	3.3Vp-p	143	NC
12	3.3V	56	3.3V	100	3.3Vp-p	144	3.3V
13	3.3Vp-p	57	3.3Vp-p	101	3.3Vp-p	145	3.3Vp-p
14	3.3Vp-p	58	3.3Vp-p	102	3.3Vp-p	146	3.3Vp-p
15	3.3Vp-p	59	3.3Vp-p	103	3.3Vp-p	147	3.3Vp-p
16	3.3Vp-p	60	3.3Vp-p	104	3.3Vp-p	148	3.3Vp-p
17	0V	61	0V	105	3.3Vp-p	149	0V
18	3.3Vp-p	62	3.3Vp-p	106	3.3Vp-p	150	3.3Vp-p
19	3.3Vp-p	63	3.3Vp-p	107	3.3Vp-p	151	3.3Vp-p
20	3.3Vp-p	64	3.3Vp-p	108	3.3Vp-p	152	3.3Vp-p
21	3.3Vp-p	65	3.3Vp-p	109	3.3Vp-p	153	3.3Vp-p
22	3.3Vp-p	66	3.3Vp-p	110	3.3V	154	3.3Vp-p
23	3.3Vp-p	67	3.3Vp-p	111	0V	155	3.3Vp-p
24	3.3Vp-p	68	3.3Vp-p	112	3.3Vp-p	156	3.3Vp-p
25	3.3Vp-p	69	3.3Vp-p	113	3.3Vp-p	157	3.3Vp-p
26	3.3Vp-p	70	-	114	3.3Vp-p	158	3.3Vp-p
27	0V	71	-	115	3.3Vp-p	159	3.3Vp-p
28	3.3V	72	-	116	3.3Vp-p	160	3.3Vp-p
29	3.3V	73	-	117	3.3Vp-p	161	3.3Vp-p
30	3.3Vp-p	74	-	118	3.3Vp-p	162	NC
31	3.3Vp-p	75	0V	119	3.3Vp-p	163	3.3V
32	3.3V	76	CLK	120	3.3Vp-p	164	3.3V
33	3.3Vp-p	77	3.3V	121	3.3Vp-p	165	3.3V
34	3.3Vp-p	78	3.3Vp-p	122	3.3Vp-p	166	3.3V
35	3.3Vp-p	79	3.3Vp-p	123	3.3Vp-p	167	3.3V
36	3.3Vp-p	80	3.3Vp-p	124	3.3Vp-p	168	3.3V
37	3.3Vp-p	81	3.3Vp-p	125	3.3Vp-p	169	3.3V
38	3.3Vp-p	82	3.3Vp-p	126	3.3V	170	3.3V
39	0V	83	0V	127	0V	171	0V
40	3.3Vp-p	84	3.3Vp-p	128	3.3Vp-p	172	NC
41	3.3Vp-p	85	3.3Vp-p	129	3.3Vp-p	173	3.3Vp-p
42	3.3Vp-p	86	3.3Vp-p	130	3.3Vp-p	174	3.3Vp-p
43	3.3Vp-p	87	3.3Vp-p	131	3.3Vp-p	175	3.3V
44	3.3Vp-p	88	3.3Vp-p	132	NC	176	-

DHA-S680/DHA-S680P

IC5602							
1	3.3V	14	3.3Vp-p(PS)	27	3.3Vp-p(PS)	40	3.3Vp-p(PS)
2	3.3Vp-p(PS)	15	3.3Vp-p(PS)	28	3.3Vp-p(PS)	41	0V
3	3.3Vp-p(PS)	16	3.3Vp-p(PS)	29	3.3Vp-p(PS)	42	3.3Vp-p(PS)
4	0V	17	3.3Vp-p(PS)	30	3.3Vp-p(PS)	43	3.3Vp-p(PS)
5	3.3Vp-p(PS)	18	0V	31	3.3Vp-p(PS)	44	3.3V
6	3.3Vp-p(PS)	19	3.3Vp-p(PS)	32	3.3Vp-p(PS)	45	3.3Vp-p(PS)
7	3.3V	20	3.3Vp-p(PS)	33	NC	46	3.3Vp-p(PS)
8	3.3Vp-p(PS)	21	3.3Vp-p(PS)	34	3.3Vp-p(PS)	47	0V
9	3.3Vp-p(PS)	22	3.3Vp-p(PS)	35	3.3Vp-p(PS)	48	3.3Vp-p(PS)
10	0V	23	3.3Vp-p(PS)	36	3.3Vp-p(PS)	49	3.3Vp-p(PS)
11	3.3Vp-p(PS)	24	3.3Vp-p(PS)	37	NC	50	0V
12	3.3Vp-p(PS)	25	3.3V	38	3.3V		
13	3.3V	26	0V	39	3.3Vp-p(PS)		

IC5603	
1	0V
2	PS
3	PS
4	0V
5	PS
6	PS
7	NC
8	3.3V

IC5604			
1	3.3Vp-p(PS)	11	5Vp-p(PS)
2	3.3Vp-p(PS)	12	5Vp-p(PS)
3	3.3Vp-p(PS)	13	5Vp-p(PS)
4	3.3Vp-p(PS)	14	5Vp-p(PS)
5	3.3Vp-p(PS)	15	5Vp-p(PS)
6	3.3Vp-p(PS)	16	5Vp-p(PS)
7	3.3Vp-p(PS)	17	5Vp-p(PS)
8	3.3Vp-p(PS)	18	5Vp-p(PS)
9	3.3Vp-p(PS)	19	3.3Vp-p(PS)
10	0V	20	3.3V

IC5605							
1	3.3Vp-p(PS)	6	3.3Vp-p(PS)	11	5Vp-p(PS)	16	5Vp-p(PS)
2	3.3Vp-p(PS)	7	3.3Vp-p(PS)	12	5Vp-p(PS)	17	5Vp-p(PS)
3	3.3Vp-p(PS)	8	3.3Vp-p(PS)	13	5Vp-p(PS)	18	5Vp-p(PS)
4	3.3Vp-p(PS)	9	3.3Vp-p(PS)	14	5Vp-p(PS)	19	3Vp-p(PS)
5	3.3Vp-p(PS)	10	0V	15	5Vp-p(PS)	20	3.3V

IC5606							
1	0V	6	3Vp-p(PS)	11	3Vp-p(PS)	16	3Vp-p(PS)
2	3Vp-p(PS)	7	3Vp-p(PS)	12	3Vp-p(PS)	17	3Vp-p(PS)
3	3Vp-p(PS)	8	3Vp-p(PS)	13	3Vp-p(PS)	18	3Vp-p(PS)
4	3Vp-p(PS)	9	3Vp-p(PS)	14	3Vp-p(PS)	19	3Vp-p(PS)
5	3Vp-p(PS)	10	0V	15	3Vp-p(PS)	20	3.3V

IC5607							
1	0V	6	NC	11	0V	16	5Vp-p(PS)
2	3.3Vp-p(PS)	7	NC	12	0V	17	5Vp-p(PS)
3	3.3Vp-p(PS)	8	NC	13	0V	18	3.3Vp-p(PS)
4	3.3Vp-p(PS)	9	NC	14	0V	19	3.3Vp-p(PS)
5	3.3Vp-p(PS)	10	0V	15	5Vp-p(PS)	20	3.3V

IC5611	
1	0V
2	0V
3	0V
4	0V
5	3.3V

IC8001	
1	3.3V
2	14V
3	0V
4	3.3V
5	0V

IC8002	
1	5V
2	14V
3	0V
4	5V
5	0V

IC8003	
1	14V
2	7.8V
3	0V
4	1.2V
5	0V

IC8004	
1	8.9V
2	0V
3	14V

IC8006	
1	5V
2	0V
3	14V

IC8007							
1	0V	6	2.7V	11	0V	16	5V
2	0V	7	0V	12	0V	17	14.4V
3	0V	8	0V	13	0V	18	0V
4	3.7V	9	0V	14	NC	19	0V
5	4.9V	10	0V	15	5V	20	0V

IC8008	
1	3.3V
2	3.3V
3	2.6V
4	1.2V
5	0V

IC8009	
1	0V
2	5V
3	3.3V
4	NC

IC9502							
1	3.3V	14	3.3Vp-p(PS)	27	3.3Vp-p(PS)	40	3.3Vp-p(PS)
2	3.3Vp-p(PS)	15	3.3Vp-p(PS)	28	3.3Vp-p(PS)	41	0V
3	3.3Vp-p(PS)	16	3.3Vp-p(PS)	29	3.3Vp-p(PS)	42	3.3Vp-p(PS)
4	0V	17	3.3Vp-p(PS)	30	3.3Vp-p(PS)	43	3.3Vp-p(PS)
5	3.3Vp-p(PS)	18	3.3Vp-p(PS)	31	3.3Vp-p(PS)	44	3.3V
6	3.3Vp-p(PS)	19	3.3Vp-p(PS)	32	3.3Vp-p(PS)	45	3.3Vp-p(PS)
7	3.3V	20	3.3Vp-p(PS)	33	NC	46	3.3Vp-p(PS)
8	3.3Vp-p(PS)	21	3.3Vp-p(PS)	34	3.3Vp-p(PS)	47	0V
9	3.3Vp-p(PS)	22	3.3Vp-p(PS)	35	3.3Vp-p(PS)	48	3.3Vp-p(PS)
10	0V	23	3.3Vp-p(PS)	36	3.3Vp-p(PS)	49	3.3Vp-p(PS)
11	3.3Vp-p(PS)	24	3.3Vp-p(PS)	37	NC	50	0V
12	3.3Vp-p(PS)	25	3.3V	38	3.3V		
13	3.3V	26	0V	39	3.3Vp-p(PS)		

## DHA-S680/DHA-S680P

IC9501							
1	2.6V	53	3.3Vp-p	105	3.3Vp-p	157	0V
2	NC	54	3.3Vp-p	106	3.3Vp-p	158	0V
3	0V	55	3.3Vp-p	107	0V	159	2.6Vp-p
4	NC	56	3.3Vp-p	108	3.3Vp-p	160	2.6Vp-p
5	NC	57	NC	109	3.3Vp-p	161	2.6Vp-p
6	NC	58	NC	110	3.3Vp-p	162	2.6Vp-p
7	NC	59	NC	111	3.3Vp-p	163	2.6V
8	NC	60	0V	112	3.3Vp-p	164	0V
9	NC	61	2.6V	113	3.3Vp-p	165	2.6V
10	2.6V	62	2.6Vp-p	114	2.6V	166	2.6Vp-p
11	NC	63	NC	115	3.3Vp-p	167	2.6Vp-p
12	NC	64	2.6Vp-p	116	3.3Vp-p	168	0V
13	NC	65	2.6Vp-p	117	3.3Vp-p	169	2.6Vp-p
14	NC	66	NC	118	3.3Vp-p	170	2.6Vp-p
15	0V	67	2.6Vp-p	119	0V	171	2.6Vp-p
16	3.3V	68	NC	120	3.3Vp-p	172	0V
17	2.6v	69	NC	121	3.3Vp-p	173	2.6Vp-p
18	NC	70	NC	122	2.6V	174	2.6Vp-p
19	NC	71	2.6V	123	2.6V	175	2.6Vp-p
20	NC	72	0V	124	NC	176	0V
21	NC	73	NC	125	2.6V	177	2.6Vp-p
22	NC	74	NC	126	2.6V	178	2.6Vp-p
23	NC	75	NC	127	-	179	2.6Vp-p
24	NC	76	NC	128	NC	180	2.6Vp-p
25	NC	77	NC	129	NC	181	2.6Vp-p
26	0V	78	3.3Vp-p	130	0V	182	0V
27	2.6V	79	2.6V	131	2.6V	183	2.6V
28	NC	80	3.3Vp-p	132	NC	184	2.6Vp-p
29	NC	81	3.3Vp-p	133	2.6V	185	2.6Vp-p
30	NC	82	3.3Vp-p	134	2.6V	186	2.6Vp-p
31	NC	83	3.3Vp-p	135	2.6V	187	2.6Vp-p
32	NC	84	3.3Vp-p	136	2.6Vp-p	188	2.6Vp-p
33	NC	85	0V	137	2.6Vp-p	189	0V
34	NC	86	3.3Vp-p	138	2.6Vp-p	190	2.6Vp-p
35	0V	87	3.3Vp-p	139	2.6Vp-p	191	2.6Vp-p
36	NC	88	2.6V	140	2.6Vp-p	192	2.6Vp-p
37	2.6V	89	-	141	0V	193	2.6Vp-p
38	0V	90	2.6V	142	0V	194	2.6Vp-p
39	NC	91	-	143	2.6Vp-p	195	0V
40	2.6V	92	2.6Vp-p	144	2.6Vp-p	196	NC
41	1.42V	93	2.6Vp-p	145	2.6Vp-p	197	CLK
42	1.42V	94	2.6Vp-p	146	2.6Vp-p	198	0V
43	2.6V	95	2.6Vp-p	147	2.6V	199	NC
44	0V	96	0V	148	0V	200	0V
45	1.2Vp-p	97	2.6V	149	2.6Vp-p	201	2.6V
46	2.6V	98	3.3Vp-p	150	2.6Vp-p	202	NC
47	NC	99	3.3Vp-p	151	2.6Vp-p	203	0V
48	NC	100	3.3Vp-p	152	2.6Vp-p	204	NC
49	NC	101	3.3Vp-p	153	2.6Vp-p	205	2.6Vp-p
50	0V	102	3.3Vp-p	154	0V	206	0V
51	2.6V	103	3.3Vp-p	155	0V	207	2.6V
52	0V	104	3.3Vp-p	156	0V	208	2.6V



	E	C	B		E	C	B
Q5001	3.3V	3.3V	2.6V	Q8003	4.6V	0V	0V
Q5002	3.3V	0V	0V	Q8007	0V	0V	0.6V
Q5301	0V	0V	5V	Q8008	0V	5V	5V
Q5303	5Vp-p(PS)	4V	0V	Q8801	5Vp-p(PS)	0V	5Vp-p(PS)
Q5305	0V	0V	0V	Q8802	5Vp-p(PS)	0V	5Vp-p(PS)
Q5306	0V	0V	0V	Q8803	5Vp-p(PS)	0V	5Vp-p(PS)
Q5307	0V	0V	0V	Q8810	0V	5V	4.9V
Q5308	0V	0V	0V	Q8811	5V	0V	0V
Q5310	4.2V	4.5V	5V	Q9501	2.3V	6.4V	2.9V
Q5361	0V	0V	5V	Q9502	7V	4.5V	6.4V
Q8001	0V	4.5V	0V	Q9503	3.7V	8.9V	4.5V
Q8002	14V	14V	13.3V	Q9504	0V	0V	4.5V

	1	2	3	4	5
Q5304	NC	0V	14V	0V	0V
Q5311	8.9V	0V	8.9V	0V	0V
Q8009	NC	5V	5V	4.9V	0V
Q8011	NC	5V	5V	5V	0V

## [Measuring Conditions]

- Power Supply Voltage : DC14.4V
- Measuring Meter : Digital Multi Voltmeter
- Measuring Point Reference : Between GND
- Measuring Conditions : TEST DISC play
  - CD : TCD-782
  - VIDEO CD : TVD-581A
  - DVD : TDV-540

## [端子電圧測定条件]

1. 電源電圧 : DC14.4V
2. 測定機器 : デジタル・マルチ・ボルトメーター
3. 測定基準 : 対アース間
4. 測定条件 : テスト・ディスク再生
  - CD : TCD-782
  - VIDEO CD : TVD-581A
  - DVD : TDV-540

DHA-S680/DHA-S680P

## Description of IC Terminal

M30800FCGP : IC10

No.	Symbol	I/O	Terminal Description
1	NC	-	No connect terminal.
2			
3			
4	EJECT	I	EJECT signal input terminal.
5	FG	I	Spindle Motor rotation signal input terminal.
6	PU	-	Pull-up connect terminal.
7	CVSS	-	Pull-down connect terminal.
8	LPS-SDA	I	LPS EEPROM SDA (for LPS)
9	LPS-SCL	O	LPS EEPROM SCL (for LPS)
10	/RESET	I	RESET signal input terminal. L:RESET
11	XOUT	-	Connected with OSC.
12	VSS	-	Connected with GND.
13	XIN	-	Connected with OSC.
14	VCC	-	Power supply terminal.
15	PU	-	Pull-up connect terminal.
16	92/MINT2	I	Interrupt terminal 2 of TC9469BF.
17	92/MINT1	I	Interrupt terminal 1 of TC9469BF.
18	97/MINT	I	Interrupt terminal of TC9497F.
19	NC(PULL-UP)	-	Pull-up connect terminal.
20	NC	-	No connect terminal.
21	TEST3	O	Test terminal.
22	TEST2		
23	TEST1		
24	EQF(NC)	-	No connect terminal.
25	VCONT	O	Power supply ON/OFF output terminal of Servo.
26	BRK	O	BRK output terminal.
27	FR	I	FR input terminal.
28	LMTSW	I	Limit switch detection terminal.
29	D232COUT	O	Debug output terminal. (RS232C)
30	D232CIN	I	Debug input terminal. (RS232C)
31	NC	-	No connect terminal.
32			
33	H232COUT	O	HOST communication output terminal. (RS232C)
34	H232CIN	I	HOST input terminal. (RS232C)
35	PS	O	Spindle Motor mute signal output terminal.
36	SRV MUTE	O	Servo Driver mute signal output terminal.
37	PU	-	Pull-up connect terminal.
38	START(PULL-DOWN)	-	Pull-down connect terminal.
39	PU	I	Terminal for FLASH writing. (connect pull-up)
40	NC	-	No connect terminal.
41			
43			
44	CE	O	Terminal for FLASH writing.
45	NC	-	No connect terminal.
46	92/MCE	O	TC9469BF/MCE.

No.	Symbol	I/O	Terminal Description
47	92/MWR	0	TC9469BF/MWR.
48	92/MRD	0	TC9469BF/MRD.
49	97/MCE	0	TC9497F/MCE.
50	97/MWR	0	TC9497F/MWR.
51	97/MRD	0	TC9497F/MRD.
52	97/MA	0	TC9497F/MA.
53	97MD7	I/O	MD of TC9497F. (DATA)
54	97MD6		
55	97MD5		
56	97MD4		
57	97MD3		
58	97MD2		
59	97MD1		
60	VCC	-	Power supply terminal.
61	97MD0	I/O	MD of TC9497F. (DATA)
62	VSS	-	Connected with GND.
63	NC	-	No connect terminal.
64	MA6	0	MA of TC9469BF. (ADDRESS)
65	MA5		
66	MA4		
67	MA3		
68	MA2		
69	MA1		
70	MA0		
71	/B-HOLD	I	Battery descent detection signal input terminal.
72	ACC	I	Wakeup/Stand-by switching input terminal of Drive.
73	/LDCNT	0	CD/DVD PLL switching terminal.
74	/FDCNT	0	Gain Down output terminal at FEED.
75	LDCNT	0	LD control signal output terminal.
76	FDCNT	0	Gain Down output terminal at FEED.
77	97/RST	0	RESET output terminal of TC9497F.
78	92/RST	0	RESET output terminal of TC9469BF.
79	MD7	I/O	MD of TC9469BF. (DATA)
80	MD6		
81	MD5		
82	MD4		
83	MD3		
84	MD2		
85	MD1		
86	MD0		
87	LOAD-	0	Load Motor (-) output terminal.
88	LOAD+	0	Load Motor (+) output terminal.
89	ELVM-	0	Elevator Motor (-) output terminal.
90	ELVM+	0	Elevator Motor (+) output terminal.
91	BDET	I	Servo power supply descent detection signal input terminal.
92	LPS	I	LPS sensor input terminal.
93	HTMP	I	High temperature detection input terminal.
94	AVss	-	Connected with GND.

# DHA-S680/DHA-S680P

No.	Symbol	I/O	Terminal Description
95	LTMP	I	Low temperature detection input terminal.
96	VREF	-	Standard voltage input terminal of A/D converter.
97	AVcc	-	Analog power supply terminal.
98	MAGSW	I	Magazine switch signal input terminal.
99	UNLDSW	I	UNLOAD switch signal input terminal.
100	LDSW	I	LOAD switch signal input terminal.

## MB91101A : IC5001

No.	Symbol	I/O	Terminal Description
1	NC	-	No connect terminal.
2			
3	EMP	I	CD emphasis signal monitor terminal.
4	VCC3	-	Power supply terminal for Digital.
5	CLK	0	CPU system clock output terminal. (Used for wait control of MB86366PFY.)
6	SRAM-CS	0	CS signal terminal of SRAM for PPM information storage. (L:Permission, H:Prohibition)
7	NC	-	No connect terminal.
8	nCS3	0	CS signal terminal of MB86366PFY outside connect SDRAM. (L:Permission, H:Prohibition)
9	nCS2	0	CS signal terminal of ATAPI interface. (L:Permission, H:Prohibition)
10	nCS1	0	CS signal terminal of MPEG Decoder and MB86366PFY. (L:Permission, H:Prohibition)
11	nCS0	0	CS signal terminal of Flash memory. (L:Permission, H:Prohibition)
12	NMIX	I	Connected with +3.3V.
13	HSTX		
14	nRST1	I	Outside RESET input terminal.
15	VSS	-	Connected with GND.
16	MDO	I	CPU movement setting terminal. (Set up in outside vector mode 1. (BUS width 16 bit))
17	MD1		
18	MD2		
19	nRDY	I	Outside READY input terminal. (Used for wait control.)
20	DVD/CD	0	Audio signal output terminal for master clock switching. (DVD=H, VCD=L, CD=L)
21	NC	-	No connect terminal.
22	nRD	0	Outside BUS read strobe signal output terminal.
23	nWRO	0	Outside BUS write strobe signal output terminal.
24	nWR1		
25	D16	I/O	Outside data BUS. (Bit16)
26	D17		Outside data BUS. (Bit17)
27	D18		Outside data BUS. (Bit18)
28	D19		Outside data BUS. (Bit19)
29	D20		Outside data BUS. (Bit20)
30	D21		Outside data BUS. (Bit21)
31	D22		Outside data BUS. (Bit22)
32	D23		Outside data BUS. (Bit23)
33	D24		Outside data BUS. (Bit24)
34	D25		Outside data BUS. (Bit25)
35	D26		Outside data BUS. (Bit26)
36	D27		Outside data BUS. (Bit27)

No.	Symbol	I/O	Terminal Description
37	D28	I/O	Outside data BUS. (Bit28)
38	D29		Outside data BUS. (Bit29)
39	D30		Outside data BUS. (Bit30)
40	VSS	-	Connected with GND.
41	D31	I/O	Outside data BUS. (Bit31)
42	A0	0	Outside address BUS.
43	VCC5	-	Power supply terminal for Digital.
44	A1	0	Outside address BUS.
45	A2		
46	A3		
47	A4		
48	A5		
49	A6		
50	A7		
51	A8		
52	A9		
53	A10		
54	A11		
55	A12		
56	A13		
57	A14		
58	A15		
59	A16		
60	A17		
61	A18		
62	A19		
63	A20		
64	A21		
65	VSS	-	Connected with GND.
66	NC	-	No connect terminal.
67			
68			
69	AVCC	-	Power supply terminal for A/D converter.
70	AVRH	-	A/D converter standard voltage terminal.
71	AVSS/AVRL	-	GND terminal for A/D converter.
72	AN0	-	Connected with GND.
73	AN1		
74	AN2		
75	AN3		
76	NC	-	No connect terminal.
77			
78	MUTE-PICTURE	0	Video signal output MUTE signal terminal. (L:MUTE)
79	VMS 1	1	Serial data input terminal between Video u-COM and Main u-COM.
80	VMS 0	0	Serial data output terminal between Video u-COM and Main u-COM.
81	MUTE-AUDIO	0	Analog audio output MUTE signal terminal. (L:MUTE)
82	DAC-DATA	0	Serial data output terminal for Audio DAC control.
83	VMEN	0	Serial communication enable output terminal between Video u-COM and Main u-COM.

## DHA-S680/DHA-S680P

No.	Symbol	I/O	Terminal Description
84	DAC-RESET	0	Audio DAC RESET signal output terminal. (L:RESET)
85	DAC-MUTE	0	Audio DAC MUTE signal output terminal. (L:MUTE)
86	DAC-CS	0	Audio DAC Chip Select signal output terminal.
87	DAC-LAT	0	Audio DAC Serial Data Latch signal output terminal.
88	DAC-CLK	0	Serial clock output terminal for Audio DAC control.
89	VMCLK	0	Serial clock output terminal between Video u-COM and Main u-COM.
90	VSS	-	Connected with GND.
91	X1	0	CPU system clock output terminal.
92	X0	0	CPU system clock input terminal.
93	VCC5	-	Power supply terminal for Digital.
94	RMRCV	1	Remote Control signal input terminal. (Polarity reversal)
95	nINT0	1	Interrupt signal input terminal.
96	RAS0	0	RAS signal output terminal to DRAM.
97	CSOL	0	CAS signal output terminal to DRAM. (Low rank byte)
98	CSOH	0	CAS signal output terminal to DRAM. (High rank byte)
99	nDWO	0	DRAM write enable signal output terminal. (L:ENABLE)
100	NC	-	No connect terminal.

## D78F4216AGC : IC5301

No.	Symbol	I/O	Terminal Description
1	D MUTE	0	Digital MUTE control signal output terminal.
2	NC	-	No connect terminal.
3	V power	0	Video block power supply control terminal.
4	NC	-	No connect terminal.
5	M power	0	Main power supply control terminal.
6	NC	-	No connect terminal.
7	M_ACC	0	ACC(Stand-by) control terminal of Mechanism Drive.
8	NC	-	No connect terminal.
9	VDD	-	Connected with VDD+5V.
10	12.288MHz	-	Connected with Main system clock.
11	12.288MHz		
12	GND	-	Connected with GND.
13	NC	-	No connect terminal.
14	GND	-	Connected with GND.
15	RESET	-	Reset input terminal.
16	BATT-DET	1	Battery voltage detection input terminal.
17	ACC-DET	1	ACC power supply detection input terminal.
18	Ai-INT	1	Ai-NET BUS IC interrupt terminal.
19	CS-VFD	1	Main u-COM chip select input terminal.
20	NC	-	No connect terminal.
21			
22	NC	-	No connect terminal.
23	VDD	-	Connected with VDD+5V.
24	VRef	-	A/D reference power supply terminal of High-temperature detection.
25	Hi-Temp	1	High-temperature detection terminal.

No.	Symbol	I/O	Terminal Description
26	GND	-	Connected with GND.
33			
34	NC	-	No connect terminal.
35			
36	VDD	-	Connected with VDD+5V.
37	NC	-	No connect terminal.
39			
40	AI-SIN	I	Serial data signal input terminal from Ai-NET BUS IC.
41	AI-SOUT	O	Serial data signal output terminal to Ai-NET BUS IC.
42	AI-SCLK	O	Reset communication sync. signal output terminal to Ai-NET BUS IC.
43	NC	-	No connect terminal.
44			
45	DATA-SER in	I	Mutual data line input terminal.
46	DATA-SER out	O	Mutual data line output terminal.
47	CLK-SER	I	Clock signal input terminal from Video u-COM.
48	NC	-	No connect terminal.
50			
51	EJECT-LED	O	Eject-LED control terminal of Mechanism Drive.
52	NC	-	No connect terminal.
56			
57	LED OFF	O	LED control terminal.
58	NC	-	No connect terminal.
59	DVD MODE	O	LED control terminal.
60	VCD MODE		
61	CD MODE		
62	M RESET	O	Hard Reset terminal of Mechanism u-COM.
63	MAGZ SW	I	Magazine switch input terminal.
64	NC	-	No connect terminal.
65			
66	EJECT-IN	I	Mechanism Drive EJECT signal input terminal.
67	EJECT-OUT	O	Mechanism Drive compulsion EJECT output terminal.
68	ACC-IN	I	Input terminal for ACC detection confirmation.
69	V.RESET	O	Power ON Reset terminal.
70	NC	-	No connect terminal.
71			
72	GND	-	Connected with GND.
73	NC	-	No connect terminal.
74			
75	AI CHG	O	Ai-NET Audio output switching terminal.
76	AMUTE	O	Audio MUTE control signal output terminal.
77	NC	-	No connect terminal.
78	VMUTE	O	Video MUTE control signal output terminal.
79	NC	-	No connect terminal.
80			

# DHA-S680/DHA-S680P

No.	Symbol	I/O	Terminal Description
81	VDD	-	Connected with VDD+5V.
82	REMOU	0	Remote Control signal output terminal.
83	NC	-	No connect terminal.
84			
85	AI-RESET	0	RESET signal output terminal to Ai-NET BUS IC.
86	AI-R/W	0	Read/write select output terminal to Ai-NET BUS IC.
87	AI-RS	0	Register select signal output terminal to Ai-NET BUS IC.
88	NC	-	No connect terminal.
89			
90			
91	REMIN	1	Remote Control input terminal.
92	NC	-	No connect terminal.
93			
94	VPP	-	Connected with GND.
95	NC	-	No connect terminal.
96			
100			

## M30800FCGP : IC10

端子番号	端子信号	I/O	機能と接続
1	NC	-	未使用端子。
2			
3			
4	EJECT	1	EJECT信号入力端子。
5	FG	1	スピンドル・モーター回転信号入力端子。
6	PU	-	Pull-up接続端子。
7	CVSS	-	Pull-down接続端子。
8	LPS-SDA	1	LPS EEPROM SDA。(LPS用)
9	LPS-SCL	0	LPS EEPROM SCL。(LPS用)
10	/RESET	1	リセット信号入力端子。(L:リセット)
11	XOUT	-	発振子接続端子。
12	VSS	-	GND端子。
13	XIN	-	発振子接続端子。
14	VCC	-	電源端子。
15	PU	-	Pull-up接続端子。
16	92/MINT2	1	TC9469BF割り込み端子2。
17	92/MINT1	1	TC9469BF割り込み端子1。
18	97/MINT	1	TC9497F割り込み端子。
19	NC(PULL-UP)	-	Pull-up接続端子。
20	NC	-	未使用端子。
21	TEST3	0	テスト端子。
22	TEST2		
23	TEST1		
24	EOF(NC)	-	未使用端子。。
25	VCONT	0	サーボ系電源ON/OFF出力端子。
26	BRK	0	BRK出力端子。



端子番号	端子信号	I/O	機能と接続
27	FR	I	FR入力端子。
28	LMTSW	I	内周リミットSW検出端子。
29	D232COUT	O	デバッグ出力端子。(RS232C)。
30	D232CIN	I	デバッグ入力端子。(RS232C)。
31	NC	-	未使用端子。
32			
33	H232COUT	O	HOST通信出力端子。(RS232C)
34	H232CIN	I	HOST入力端子。(RS232C)
35	PS	O	スピントルモーター・ミュート信号出力端子。
36	SRV MUTE	O	サーボ・トライバ・ミュート信号出力端子。
37	PU	-	Pull-up接続端子。
38	START(PULL-DOWN)	-	Pull-down接続端子。
39	PU	I	フラッシュ書き込み用端子。(Pull-up接続)
40	NC	-	未使用。
41			
43			
44	CE	O	フラッシュ書き込み用端子。
45	NC	-	未使用端子。
46	92/MCE	O	TC9469BF/MCE端子。
47	92/MWR	O	TC9469BF/MWR端子。
48	92/MRD	O	TC9469BF/MRD端子。
49	97/MCE	O	TC9497F/MCE端子。
50	97/MWR	O	TC9497F/MWR端子。
51	97/MRD	O	TC9497F/MRD端子。
52	97/MA	O	TC9497F/MA端子。
53	97MD7	I/O	TC9497FのMD端子。(データ)
54	97MD6		
55	97MD5		
56	97MD4		
57	97MD3		
58	97MD2		
59	97MD1		
60	VCC	-	電源入力端子。
61	97MD0	I/O	TC9497FのMD端子。(データ)
62	VSS	-	GND端子。
63	NC	-	未使用端子。
64	MA6	O	TC9469BFのMA端子。(アドレス)
65	MA5		
66	MA4		
67	MA3		
68	MA2	O	TC9469BFのMA端子。(アドレス)
69	MA1		
70	MA0		
71	/B-HOLD	I	バッテリー降下検出信号入力端子。
72	ACC	I	トライブWakeup/Stand-by切り換え入力端子。
73	/LDCNT	O	CD/DVD PLL切り換え端子。
74	/FDCNT	O	FEED時GAIN DOWN出力端子。
75	LDCNT	O	LDコントロール信号出力端子。

# DHA-S680/DHA-S680P

端子番号	端子信号	I/O	機能と接続
76	FDCNT	0	FEED時GAIN DOWN出力端子。
77	97/RST	0	TC9497FへのRESET出力端子。
78	92/RST	0	TC9469BFへのRESET出力端子。
79	MD7	I/O	TC9469BFのMD端子。(データ)
80	MD6		
81	MD5		
82	MD4		
83	MD3		
84	MD2		
85	MD1		
86	MD0		
87	LOAD-	0	ロッド・モーター(-)出力端子。
88	LOAD+	0	ロッド・モーター(+)出力端子。
89	ELVM-	0	エレベーター・モーター(-)出力端子。
90	ELVM+	0	エレベーター・モーター(+)出力端子。
91	BDET	I	サーボ電源降下検出信号入力。
92	LPS	I	LPSセンサー入力端子。
93	HTMP	I	高温検出入力端子。
94	AVss	-	GND端子。
95	LTMP	I	低温検出入力端子。
96	VREF	-	A/Dコンバータ基準電圧入力端子。
97	AVcc	-	アナログ電源端子。(A/Dコンバータの電源入力)
98	MAGSW	I	マグジンSW信号入力端子。
99	UNLDSW	I	UNLOAD SW信号入力端子。
100	LDSW	I	LOAD SW信号入力端子。

## MB91101A : IC5001

端子番号	端子信号	I/O	機能と接続
1	NC	-	未使用端子。
2			
3	EMP	I	CDのEMPHASIS信号モニター端子。
4	VCC3	-	デジタル用電源端子。
5	CLK	0	CPUシステムクロック出力端子。(MB86366PFYのWait制御に使用。)
6	SRAM-CS	0	PPM情報格納用SRAMのCS信号端子。(L:許可、H:禁止)
7	NC	-	未使用端子。
8	nCS3	0	MB86366PFY外部接続SDRAMのCS信号端子。(L:許可、H:禁止)
9	nCS2	0	ATAPI 1/FのCS信号端子。(L:許可、H:禁止)
10	nCS1	0	MPEG DECODER、MB86366PFYのCS信号端子。(L:許可、H:禁止)
11	nCS0	0	Flashメモリ(プログラム格納、初期設定情報格納用)のCS信号端子。(L:許可、H:禁止)
12	NMIX	I	H(+3.3V)に接続する端子。
13	HSTX		
14	nRST1	I	外部リセット入力端子。
15	VSS	-	GNDに接続する端子。

端子番号	端子信号	I/O	機能と接続
16	MD0	I	CPU動作モード設定端子。 (外部バックモード1 (バス幅16bit) に設定。)
17	MD1		
18	MD2		
19	nRDY	I	外部READY入力端子。(Wait制御に使用。)
20	DVD/CD	O	Audio信号のマスター・クロック切り換え信号出力端子。(DVD=H、VCD=L、CD=L)
21	NC	-	未使用端子。
22	nRD	O	外部バス Read Strobe信号出力端子。
23	nWRO	O	外部バスWrite Strobe信号出力端子。
24	nWR1		
25	D16	I/O	外部データバス端子。(Bit16)
26	D17		外部データバス端子。(Bit17)
27	D18		外部データバス端子。(Bit18)
28	D19		外部データバス端子。(Bit19)
29	D20		外部データバス端子。(Bit20)
30	D21		外部データバス端子。(Bit21)
31	D22		外部データバス端子。(Bit22)
32	D23		外部データバス端子。(Bit23)
33	D24		外部データバス端子。(Bit24)
34	D25		外部データバス端子。(Bit25)
35	D26		外部データバス端子。(Bit26)
36	D27		外部データバス端子。(Bit27)
37	D28		外部データバス端子。(Bit28)
38	D29		外部データバス端子。(Bit29)
39	D30		外部データバス端子。(Bit30)
40	VSS	-	GNDに接続する端子。
41	D31	I/O	外部データバス端子。(Bit31)
42	A0	O	外部アドレスバス端子。
43	VCC5	-	デシタル用電源端子。
44	A1	O	外部アドレスバス端子。
45	A2		
46	A3		
47	A4		
48	A5		
49	A6		
50	A7		
51	A8		
52	A9		
53	A10		
54	A11		
55	A12	O	外部アドレスバス端子。
56	A13		
57	A14		
58	A15		
59	A16		
60	A17		
61	A18		
62	A19		
63	A20		
64	A21		

# DHA-S680/DHA-S680P

端子番号	端子信号	I/O	機能と接続
65	VSS	-	GNDに接続する端子。
66	NC	-	未使用端子。
67			
68			
69	AVCC	-	A/Dコンバータ用電源端子。
70	AVRH	-	A/Dコンバータ基準電圧端子。
71	AVSS/AVRL	-	A/Dコンバータ用GND端子。
72	ANO	-	GNDに接続する端子。
73	AN1		
74	AN2		
75	AN3		
76	NC	-	未使用端子。
77			
78	MUTE-PICTURE	0	ビデオ信号出力ミュート信号端子。(L: MUTE)
79	VMS 1	1	ビデオ・マイコン・メイン・マイコン間シリアル・データ入力端子。
80	VMS 0	0	ビデオ・マイコン・メイン・マイコン間シリアル・データ出力端子。
81	MUTE-AUDIO	0	アナログ・オーディオ出力ミュート信号端子。(L: MUTE)
82	DAC-DATA	0	Audio DAC制御用シリアル・データ出力端子。
83	VMEN	0	ビデオ・マイコン・メイン・マイコン間シリアル通信インパルス出力端子。
84	DAC-RESET	0	Audio DACリセット信号出力端子。(L: RESET)
85	DAC-MUTE	0	Audio DACミュート信号出力端子。(L: MUTE)
86	DAC-CS	0	Audio DACチップ・セレクト信号出力端子。
87	DAC-LAT	0	Audio DACシリアル・データ・ラッチ信号出力端子。
88	DAC-CLK	0	Audio DAC制御用シリアル・クロック出力端子。
89	VMCLK	0	ビデオ・マイコン・メイン・マイコン間シリアル・クロック出力端子。
90	VSS	-	GNDに接続する端子。
91	X1	0	CPUシステム・クロック出力端子。
92	X0	0	CPUシステム・クロック入力端子。
93	VCC5	-	デジタル用電源端子。
94	FMRCV	1	FMコン信号入力端子。(極性反転)
95	nINT0	1	割り込み信号入力端子。
96	RAS0	0	DRAMへのRAS信号出力端子。
97	CS0L	0	DRAMへのCAS信号出力端子。(下位バイト)
98	CS0H	0	DRAMへのCAS信号出力端子。(上位バイト)
99	nDWO	0	DRAMライト・インパルス信号出力端子。(L: インパルス)
100	NC	-	未使用端子。

## D78F4216AGC : IC5301

端子番号	端子信号	I/O	機能と接続
1	D MUTE	0	デジタル・ミュート制御信号出力端子。
2	NC	-	未使用端子。
3	V power	0	ビデオ・ブロック電源コントロール端子。
4	NC	-	未使用端子。
5	M power	0	メイン電源コントロール端子。
6	NC	-	未使用端子。
7	M_ACC	0	モータドライブ ACC(スタンバイ)制御端子。

端子番号	端子信号	I/O	機能と接続
8	NC	-	未使用端子。
9	VDD	-	VDD+5Vに接続する端子。
10	12.288MHz	-	メイン・システム・クロックに接続する端子。
11	12.288MHz		
12	GND	-	GNDに接続する端子。
13	NC	-	未使用端子。
14	GND	-	GNDに接続。
15	RESET	-	リセット入力端子。
16	BATT-DET	I	BATT電圧検出入力端子。
17	ACC-DET	I	ACC電源検出入力端子。
18	AI-INT	I	AI-BUS-IC割り込み端子。
19	CS-VFD	I	メイン・マイコン・チップ・セレクト入力端子。
20	NC	-	未使用端子。
21			
22			
23	VDD	-	VDD+5Vに接続する端子。
24	VRef	-	Hi-Temp検出A/D Ref電源端子。
25	Hi-Temp	I	Hi-Temp検出端子。
26	GND	-	GNDに接続する端子。
27			
33			
34	NC	-	未使用端子。
35			
36	VDD	-	VDD+5Vに接続する端子。
37	NC	-	未使用端子。
38			
39			
40	AI-SIN	I	AI-BUS-ICシリアル・データ信号入力端子。
41	AI-SOUT	O	AI-BUS-ICシリアル・データ信号出力端子。
42	AI-SCLK	O	AI-BUS-IC RESET通信同期信号出力端子。
43	NC	-	未使用端子。
44			
45	DATA-SER in	I	双方向データ線入力端子。
46	DATA-SER out	O	双方向データ線出力端子。
47	CLK-SER	I	Videoマイコンからのクロック入力端子。
48	NC	-	未使用端子。
49			
50			
51	EJECT-LED	O	ホト・ドライブ EJECT LED制御端子。
52	NC	-	未使用端子。
53			
56			
57	LED OFF	O	LED制御端子。
58	NC	-	未使用端子。
59	DVD MODE	O	LED制御端子。
60	VCD MODE		
61	CD MODE		
62	M RESET	O	ホト・マイコン・ハード・リセット端子。

# DHA-S680/DHA-S680P

端子番号	端子信号	I/O	機能と接続
63	MAGZ SW	I	マガジンSW入力端子。
64	NC	-	未使用端子。
65			
66	EJECT-IN	I	メカ・ドライブEJECT信号入力端子。
67	EJECT-OUT	O	メカ・ドライブ強制EJECT出力端子。
68	ACC-IN	I	ACC検出確認用入力端子。
69	V. RESET	O	POWER ON RESET端子。
70	NC	-	未使用端子。
71			
72	GND	-	GNDに接続する端子。
73	NC	-	未使用端子。
74			
75	AI CHG	O	Ai-NET AUDIO出力切り換え端子。
76	AMUTE	O	音声ミュート制御信号出力端子。
77	NC	-	未使用端子。
78	VMUTE	O	映像ミュート制御信号出力端子。
79	NC	-	未使用。
80			
81	VDD	-	VDD+5Vに接続する端子。
82	REMOUT	O	リモコン信号出力端子。
83	NC	-	未使用端子。
84			
85	AI-RESET	O	Ai-BUS-IC RESET信号出力端子。
86	AI-R/W	O	Ai-BUS-IC リード/ライト選択出力端子。
87	AI-RS	O	Ai-BUS-IC リンクス選択信号出力端子。
88	NC	-	未使用端子。
?			
90			
91	REMIN	I	リモコン入力端子。
92	NC	-	未使用端子。
93			
94	VPP	-	GNDに接続する端子。
95	NC	-	未使用端子。
?			
100			

# Electrical Parts List

Capacitor :  $\mu F$ =microfarads,pF=picofarads

Abbreviations		
RES.= Resistor	CAP.= Capacitor	
C.F.= Carbon Film	ELY.= Electrolytic	
M.F.= Metal Film	CER.= Ceramic	
M.O.= Metal OxideFilm	MYL.= Mylar	
M.P.= Metal Plate	TAN.= Tantalum	
TR. = Transistor	POLY.= Polystyrol	
TRANS.= Transformer	PP. = Polypropylene	
CP. = Chip	PLT.= Polyethylene	
	PF. = Polyester Film	
Symbol No.	Part No.	Description
<b>Main P.W. Board</b>		
<b>IC's</b>		
IC2001	51T25002Y01	PCM1716E-2K -SE6
IC2002	51T25576W07	NJM4580V-TE2 -SE2
IC2101	51T25183Y02	TC7SET08FU-EL -CP
IC2201	51T15273Y02	LC89051VHS-TLM -SE6
IC2204	51T35347Y01	TC7WH157FU-TE12L-SE1
IC5001	51T35209Y01	MB91101A -QT
IC5002	51T15669Y01	TC55V1001AST1-EL-SE9
IC5003	51T15608Y01	MSM54V16258BP -ST
IC5004	51T35453Y28	MTP, MBM29DL800TA-90
IC5005	51T25069Y01	TC7WH34FU-TE12L -SE1
IC5006	51T45605Y01	TC7SH00FU-TE85L -CP
IC5007	51T15194Y01	TC74VHCT08AFT-EL-SE5
IC5301	51T35566Y31	MTP, D78F4216AGC
IC5302	51T25404Y02	TC7W53FU-TE12L -SE1
IC5303	51T25370W01	IC ,MC14538BFEL -SE6
IC5304	51T55070W05	MB88385CPF-ER -SE9
IC5305	51T25576W07	NJM4580V-TE2 -SE2
IC5306	51T15456Y01	TC74HC4066AFT-EL-SE5
IC5307	51T93332F01	IC, NJM2903M-TE3 -SE2
IC5308	51T25576W07	NJM4580V-TE2 -SE2
IC5309	51T55352W02	IC ,TC4W66F -SE2
IC5310	51T25183Y02	TC7SET08FU-EL -CP
IC5311	51T25576W07	NJM4580V-TE2 -SE2
IC5601	51T35363Y01	MB86366PFV -QT
IC5602	51T45052Y01	MSM56V16160DP -ST
IC5603	51T35445Y01	TC7WHU04FU-TE12L-SE1
IC5604	51T35385Y01	TC7MZ245FK-EL -SE2
IC5605	51T35385Y01	TC7MZ245FK-EL -SE2
IC5606	51T35385Y01	TC7MZ245FK-EL -SE2
IC5607	51T35385Y01	TC7MZ245FK-EL -SE2
IC5611	51T15185Y01	TC7SH08FU-TE85L -CP
IC8001	51T45599Y01	LM2595S-3.3 -NEA
IC8002	51T45599Y02	LM2595S-5.0 -NEA
IC8003	51T15198Y10	LM2596SX-ADJ -NEA
IC8004	51T75197W09	AN77L09M-TX -NE2

Symbol No.	Part No.	Description
IC8006	51T75197W05	AN77L05M-TX -NE2
IC8007	51T95193W01	TDA3606AT -SE9
IC8008	51T35415Y01	P007VZ5M2Z -NE5
IC8009	51T35410Y01	S-817A33ANB-T2 -CP
IC9501	51T35208Y02	MB86373B -QT
IC9502	51T45052Y01	MSM56V16160DP -ST
<b>Transistors</b>		
Q5001	48T80611F01	CP.2SB1132-QR-101-E3
Q5002	48T45251W03	TR ,UN5212 22-22 -CP
Q5301	48T64222F02	TR ,UN2212 22-22 -TX
Q5303	48T45251W51	TR ,UN5113 47-47 -CP
Q5304	48T45594W12	TR ,XN1A312 -TX-CP
Q5305	48T63788F01	TR ,CP.2SD1328 -TX
Q5306	48T63788F01	TR ,CP.2SD1328 -TX
Q5307	48T63788F01	TR ,CP.2SD1328 -TX
Q5308	48T63788F01	TR ,CP.2SD1328 -TX
Q5310	48T63417F01	TR ,CP.2SC2412K -96
Q5311	48T45594W12	TR ,XN1A312 -TX-CP
Q5361	48T64222F02	TR ,UN2212 22-22 -TX
Q8001	48T64222F02	TR ,UN2212 22-22 -TX
Q8002	48T73022F01	TR ,2SB766A
Q8003	48T45251W01	TR ,UN5213 47-47 -CP
Q8007	48T63417F01	TR ,CP.2SC2412K -96
Q8008	48T45251W53	TR ,UN5112 22-22 -CP
Q8009	48T45594W12	TR ,XN1A312 -TX-CP
Q8011	48T45594W12	TR ,XN1A312 -TX-CP
Q8801	48T45251W09	TR,UN521F-TX -CP
Q8802	48T45251W09	TR,UN521F-TX -CP
Q8803	48T45251W09	TR,UN521F-TX -CP
Q8810	48T64221F13	TR,UN211H-TX -CP
Q8811	48T45251W03	TR ,UN5212 22-22 -CP
Q9501	48T63417F01	TR ,CP.2SC2412K -96
Q9502	48T63420F01	TR,2SA1037AK-146 -CP
Q9503	48T63417F01	TR ,CP.2SC2412K -96
Q9504	48T25055Y02	TR,UN2226-TX -CP
<b>Diodes</b>		
D2001	48T25651W01	D10,CP MA152WA
D5001	48T16617W01	D10,1SS332-TT11 -CP
D5301	48T25651W02	D10,MA152WK-TX -CP
D5302	48T16617W01	D10,1SS332-TT11 -CP
D5303	48T15706Y01	D10,MA132WA-TX -CP

# DHA-S680/DHA-S680P

Symbol No.	Part No.	Description
D5304	48T15706Y01	DIO, MA132WA-TX -CP
D5306	48T94335F02	DIO, MA153A-TX -CP
D5307	48T25651W02	DIO, MA152WK-TX -CP
D5361	48T25651W01	DIO, CP MA152WA
D8001	48T35156Y01	VST, SMGA27 -EA
D8002	48T45286Y01	DIO, SHT RB050L-40-E1
D8003	48T45286Y01	DIO, SHT RB050L-40-E1
D8004	48T45286Y01	DIO, SHT RB050L-40-E1
D8005	48T25593Y01	DIO, S1G-6601 -E1
D8006	48T25651W02	DIO, MA152WK-TX -CP
D8007	48T25651W02	DIO, MA152WK-TX -CP
D8008	48T25651W02	DIO, MA152WK-TX -CP
D9501	48T16617W01	DIO, 1SS332-TT11 -CP
ZD5301	48T62934F30	DIO, ZEN. RD7. 5MB1 -CP
ZD5302	48T62934F30	DIO, ZEN. RD7. 5MB1 -CP
ZD5303	48T62934F19	DIO, ZEN. RD5. 1MB2 -CP
ZD8005	48T62934F22	DIO, ZEN. RD5. 6MB2 -CP
ZD8007	48T62934F19	DIO, ZEN. RD5. 1MB2 -CP
ZD9501	48T75035W01	DIO, ZEN LM40402. 5-CP
<b>Coils</b>		
L2001	24T75195W44	IND, LFC32 33RJ -CP
L2002	24T75195W46	IND, LFC32 47RJ -CP
L2011	24T95456W23	FBI, BLM11B252SDPT-CP
L2201	24T95456W22	IND, BLM11B471SBPT-CP
L2202	24T95456W23	FBI, BLM11B252SDPT-CP
L2203	24T95456W23	FBI, BLM11B252SDPT-CP
L5001	24T95456W04	IND, BLM11B141SPT -CP
L8001	24T25578Y11	IND, D124C 68RM -EA
L8002	24T25578Y13	IND, D124C 101M -EA
L8003	24T25578Y10	IND, D124C 47RM -EA
L8010	25T45638Y01	CHOKE, ALD-16-3 +
L9501	24T15758Y12	IND, NLFC 68RK -CP
L9502	24T35246Y10	IND, LEM2520 4R7J -CP
L9503	24T35246Y13	IND, LEM2520 8R2J -CP
L9504	24T35246Y12	IND, LEM2520 6R8J -CP
L9505	24T15758Y12	IND, NLFC 68RK -CP
<b>Crystals</b>		
XL2202	91T35621Y04	XTL, FX0-34FL 36.8-E5
XL5001	91T25038Y10	XTL, CX-11F 12.50M-E5
XL5301	91T45433W12	XTL, CP12A 4.000M -E9
XL5302	91T95084W02	XTL, CS20 12.288M -E9
XL5601	91T25038Y12	XTL, CX-11F 32.00M-E5
XL9502	91T35539Y01	XTL, 2720T 27.000M-E2

Symbol No.	Part No.	Description
<b>Filters</b>		
CF8001	91T95452W03	EMI, NFM39R02C101 -CP
CF8002	91T95452W03	EMI, NFM39R02C101 -CP
Z8001	91T75198W05	EMI, NFM61R30T472T-E1
Z8002	91T75198W05	EMI, NFM61R30T472T-E1
Z8003	91T75198W05	EMI, NFM61R30T472T-E1
Z8005	91T75198W05	EMI, NFM61R30T472T-E1
<b>LED's</b>		
LD8801	48T25454Y01	LED, GRN BG1101F -CP
LD8802	48T25454Y01	LED, GRN BG1101F -CP
LD8803	48T25454Y01	LED, GRN BG1101F -CP
<b>Capacitors</b>		
C2001	08S65128F78	CAP, CER. 223K-B1H -CP
C2002	08S65128F78	CAP, CER. 223K-B1H -CP
C2003	08S65128F78	CAP, CER. 223K-B1H -CP
C2004	08S82122F37	CAP, CER. 101J-CH1H-CP
C2005	08S82122F41	CAP, CER. 151J-CH1H-CP
C2006	08S82122F49	CAP, CER. 331J-CH1H-CP
C2007	08S82122F37	CAP, CER. 101J-CH1H-CP
C2008	08S82122F41	CAP, CER. 151J-CH1H-CP
C2009	08S82122F49	CAP, CER. 331J-CH1H-CP
C2010	08S65128F78	CAP, CER. 223K-B1H -CP
C2011	08S65128F78	CAP, CER. 223K-B1H -CP
C2012	08S65128F88	CAP, CER 104K-B1H -CP
C2013	08S65128F78	CAP, CER. 223K-B1H -CP
C2014	08S65128F69	CAP, CER. 103K-B1H -CP
C2101	08S65128F88	CAP, CER 104K-B1H -CP
C2102	08S65128F78	CAP, CER. 223K-B1H -CP
C2201	08S65128F78	CAP, CER. 223K-B1H -CP
C2202	08S65128F69	CAP, CER. 103K-B1H -CP
C2203	08S65128F69	CAP, CER. 103K-B1H -CP
C2206	08S65128F88	CAP, CER 104K-B1H -CP
C2211	08S65128F88	CAP, CER 104K-B1H -CP
C2212	08T15349Y01	CAP, CER 105K-B1A -CP
C2213	08S65128F88	CAP, CER 104K-B1H -CP
C5001	08S82122F17	CAP, CER. 15RJ-CH1H-CP
C5002	08S82122F17	CAP, CER. 15RJ-CH1H-CP
C5003	08S65128F78	CAP, CER. 223K-B1H -CP
C5004	08S65128F78	CAP, CER. 223K-B1H -CP
C5005	08S65128F78	CAP, CER. 223K-B1H -CP
C5006	08S65128F78	CAP, CER. 223K-B1H -CP
C5007	08S65128F78	CAP, CER. 223K-B1H -CP



DHA-S680/DHA-S680P

Symbol No.	Part No.	Description
C5008	08S65128F78	CAP, CER. 223K-B1H -CP
C5009	08S65128F78	CAP, CER. 223K-B1H -CP
C5010	08S65128F78	CAP, CER. 223K-B1H -CP
C5011	08S65128F78	CAP, CER. 223K-B1H -CP
C5012	08S65128F78	CAP, CER. 223K-B1H -CP
C5013	08S65128F69	CAP, CER. 103K-B1H -CP
C5014	08S65128F88	CAP, CER 104K-B1H -CP
C5015	08S65128F78	CAP, CER. 223K-B1H -CP
C5016	08S65128F69	CAP, CER. 103K-B1H -CP
C5017	08S65128F69	CAP, CER. 103K-B1H -CP
C5301	08S65128F78	CAP, CER. 223K-B1H -CP
C5302	08S82122F23	CAP, CER. 27RJ-CH1H-CP
C5303	08S82122F23	CAP, CER. 27RJ-CH1H-CP
C5304	08S65128F78	CAP, CER. 223K-B1H -CP
C5305	08S65128F88	CAP, CER 104K-B1H -CP
C5306	08S65128F88	CAP, CER 104K-B1H -CP
C5307	08S82122F37	CAP, CER. 101J-CH1H-CP
C5308	08S65128F88	CAP, CER 104K-B1H -CP
C5309	08S45677W25	CAP, CER 36RJ-CH1H-CP
C5310	08S45677W25	CAP, CER 36RJ-CH1H-CP
C5311	08S65128F78	CAP, CER. 223K-B1H -CP
C5312	08S45677W25	CAP, CER 36RJ-CH1H-CP
C5313	08S45677W25	CAP, CER 36RJ-CH1H-CP
C5314	08S65128F78	CAP, CER. 223K-B1H -CP
C5315	08S65128F88	CAP, CER 104K-B1H -CP
C5316	08S65128F78	CAP, CER. 223K-B1H -CP
C5317	08S65128F78	CAP, CER. 223K-B1H -CP
C5318	08S82122F13	CAP, CER. 10RD-CH1H-CP
C5319	08S82122F13	CAP, CER. 10RD-CH1H-CP
C5320	08S65128F78	CAP, CER. 223K-B1H -CP
C5321	08S65128F69	CAP, CER. 103K-B1H -CP
C5322	08S65128F88	CAP, CER 104K-B1H -CP
C5323	08S65128F88	CAP, CER 104K-B1H -CP
C5324	08S65128F88	CAP, CER 104K-B1H -CP
C5327	08S45677W58	CAP, CER 821J-CH1H-CP
C5328	08S45677W58	CAP, CER 821J-CH1H-CP
C5329	08S45677W58	CAP, CER 821J-CH1H-CP
C5330	08S45677W58	CAP, CER 821J-CH1H-CP
C5335	08S65128F79	CAP, CER. 273K-B1H -CP
C5336	08S45676W66	CAP, CER. 272K-B1H -CP
C5337	08S65128F88	CAP, CER 104K-B1H -CP
C5601	08S65128F78	CAP, CER. 223K-B1H -CP
C5602	08S65128F78	CAP, CER. 223K-B1H -CP
C5603	08S65128F78	CAP, CER. 223K-B1H -CP
C5604	08S65128F78	CAP, CER. 223K-B1H -CP
C5605	08S65128F78	CAP, CER. 223K-B1H -CP
C5606	08S65128F78	CAP, CER. 223K-B1H -CP
C5607	08S65128F78	CAP, CER. 223K-B1H -CP
C5608	08S65128F78	CAP, CER. 223K-B1H -CP

Symbol No.	Part No.	Description
C5609	08S65128F78	CAP, CER. 223K-B1H -CP
C5610	08S65128F78	CAP, CER. 223K-B1H -CP
C5611	08S65128F78	CAP, CER. 223K-B1H -CP
C5612	08S65128F78	CAP, CER. 223K-B1H -CP
C5613	08S65128F78	CAP, CER. 223K-B1H -CP
C5614	08S65128F78	CAP, CER. 223K-B1H -CP
C5615	08S65128F78	CAP, CER. 223K-B1H -CP
C5616	08S65128F78	CAP, CER. 223K-B1H -CP
C5617	08S82122F13	CAP, CER. 10RD-CH1H-CP
C5618	08S82122F13	CAP, CER. 10RD-CH1H-CP
C5620	08S65128F88	CAP, CER 104K-B1H -CP
C5621	08S65128F88	CAP, CER 104K-B1H -CP
C5622	08S65128F88	CAP, CER 104K-B1H -CP
C5623	08S65128F88	CAP, CER 104K-B1H -CP
C5624	08S65128F88	CAP, CER 104K-B1H -CP
C5625	08S65128F88	CAP, CER 104K-B1H -CP
C5626	08S65128F88	CAP, CER 104K-B1H -CP
C5627	08S65128F78	CAP, CER. 223K-B1H -CP
C5628	08S65128F69	CAP, CER. 103K-B1H -CP
C5629	08S65128F69	CAP, CER. 103K-B1H -CP
C8001	08S65128F78	CAP, CER. 223K-B1H -CP
C8002	08S65128F78	CAP, CER. 223K-B1H -CP
C8003	08S65128F78	CAP, CER. 223K-B1H -CP
C8007	08S45676W65	CAP, CER. 222K-B1H -CP
C8008	08S65128F88	CAP, CER 104K-B1H -CP
C8009	08S65128F78	CAP, CER. 223K-B1H -CP
C8010	08S65128F79	CAP, CER. 273K-B1H -CP
C8011	08S65128F79	CAP, CER. 273K-B1H -CP
C8012	08S65128F88	CAP, CER 104K-B1H -CP
C8013	08T15349Y01	CAP, CER 105K-B1A -CP
C8014	08T55390W34	CAP, TF 274J-1H -R5
C8801	08S82122F43	CAP, CER. 181J-CH1H-CP
C8802	08S82122F43	CAP, CER. 181J-CH1H-CP
C8803	08S82122F43	CAP, CER. 181J-CH1H-CP
C9501	08S65128F88	CAP, CER 104K-B1H -CP
C9502	08T15349Y01	CAP, CER 105K-B1A -CP
C9504	08S65128F88	CAP, CER 104K-B1H -CP
C9506	08S65128F88	CAP, CER 104K-B1H -CP
C9507	08S65128F88	CAP, CER 104K-B1H -CP
C9508	08S65128F88	CAP, CER 104K-B1H -CP
C9509	08S82122F29	CAP, CER. 47RJ-CH1H-CP
C9510	08S82122F42	CAP, CER. 161J-CH1H-CP
C9511	08S82122F19	CAP, CER. 18RJ-CH1H-CP
C9512	08S65128F78	CAP, CER. 223K-B1H -CP
C9513	08S65128F78	CAP, CER. 223K-B1H -CP
C9514	08S65128F78	CAP, CER. 223K-B1H -CP
C9515	08S65128F78	CAP, CER. 223K-B1H -CP
C9516	08S65128F78	CAP, CER. 223K-B1H -CP
C9517	08S65128F78	CAP, CER. 223K-B1H -CP

# DHA-S680/DHA-S680P

Symbol No.	Part No.	Description
C9518	08S65128F78	CAP, CER. 223K-B1H -CP
C9519	08S65128F78	CAP, CER. 223K-B1H -CP
C9520	08S65128F78	CAP, CER. 223K-B1H -CP
C9521	08S65128F78	CAP, CER. 223K-B1H -CP
C9522	08S82122F13	CAP, CER. 10RD-CH1H-CP
C9523	08S65128F88	CAP, CER 104K-B1H -CP
C9524	08S65128F78	CAP, CER. 223K-B1H -CP
C9525	08S65128F78	CAP, CER. 223K-B1H -CP
C9526	08S65128F78	CAP, CER. 223K-B1H -CP
C9527	08S65128F78	CAP, CER. 223K-B1H -CP
C9528	08S65128F78	CAP, CER. 223K-B1H -CP
C9529	08S65128F78	CAP, CER. 223K-B1H -CP
C9530	08S65128F88	CAP, CER 104K-B1H -CP
C9532	08S65128F78	CAP, CER. 223K-B1H -CP
C9533	08S65128F78	CAP, CER. 223K-B1H -CP
C9534	08S65128F78	CAP, CER. 223K-B1H -CP
C9535	08S65128F78	CAP, CER. 223K-B1H -CP
C9536	08S65128F88	CAP, CER 104K-B1H -CP
C9537	08S65128F69	CAP, CER. 103K-B1H -CP
C9538	08S65128F69	CAP, CER. 103K-B1H -CP
C9539	08S65128F69	CAP, CER. 103K-B1H -CP
E2001	23T25615Y23	CAP, ZT 33R-1C -E6
E2002	23T25615Y43	CAP, ZT 22R-1V -E6
E2003	23T25615Y43	CAP, ZT 22R-1V -E6
E2004	23T25615Y57	CAP, ZT 3R3-1H -E2
E2005	23T25615Y57	CAP, ZT 3R3-1H -E2
E2006	23T25615Y31	CAP, ZT 4R7-1E -E2
E2007	23T25615Y31	CAP, ZT 4R7-1E -E2
E2008	23T25615Y23	CAP, ZT 33R-1C -E6
E2009	23T25615Y23	CAP, ZT 33R-1C -E6
E2010	23T25615Y57	CAP, ZT 3R3-1H -E2
E2011	23T25615Y23	CAP, ZT 33R-1C -E6
E2101	23T35735Y02	CAP, MVY 101-1C -E6
E2201	23T35735Y02	CAP, MVY 101-1C -E6
E2203	23T25615Y43	CAP, ZT 22R-1V -E6
E5001	23T15765Y78	CAP, TAN 22R-1C-E -E1
E5002	23T15765Y78	CAP, TAN 22R-1C-E -E1
E5003	23T15765Y78	CAP, TAN 22R-1C-E -E1
E5004	23T15765Y23	CAP, TAN 47R-1C-G -E2
E5301	23T15765Y78	CAP, TAN 22R-1C-E -E1
E5302	23T15765Y78	CAP, TAN 22R-1C-E -E1
E5303	23T25615Y21	CAP, ZT 10R-1C -E2
E5304	23S65134W31	CAP, ELY 10R-1C(4)-E2
E5305	23S65134W31	CAP, ELY 10R-1C(4)-E2
E5306	23S65134W31	CAP, ELY 10R-1C(4)-E2
E5307	23S65134W31	CAP, ELY 10R-1C(4)-E2
E5308	23T25615Y43	CAP, ZT 22R-1V -E6
E5309	23S65134W32	CAP, ELY 22R-1C(5)-E3
E5310	23S65134W32	CAP, ELY 22R-1C(5)-E3

Symbol No.	Part No.	Description
E5311	23S65134W32	CAP, ELY 22R-1C(5)-E3
E5312	23S65134W32	CAP, ELY 22R-1C(5)-E3
E5313	23T15765Y78	CAP, TAN 22R-1C-E -E1
E5314	23T25615Y21	CAP, ZT 10R-1C -E2
E5315	23T25615Y21	CAP, ZT 10R-1C -E2
E5316	23T25615Y43	CAP, ZT 22R-1V -E6
E5601	23T15765Y23	CAP, TAN 47R-1C-G -E2
E5602	23T15765Y23	CAP, TAN 47R-1C-G -E2
E5603	23T15765Y78	CAP, TAN 22R-1C-E -E1
E8001	23T35505W10	CAP, ELY 472-1C +
E8002	23T35735Y02	CAP, MVY 101-1C -E6
E8003	23T35735Y02	CAP, MVY 101-1C -E6
E8004	23T35735Y02	CAP, MVY 101-1C -E6
E8006	23T35735Y02	CAP, MVY 101-1C -E6
E8007	23T35735Y02	CAP, MVY 101-1C -E6
E8008	23S65134W45	CAP, ELY 33R-1E(6)-E6
E8009	23T35735Y02	CAP, MVY 101-1C -E6
E8010	23S65134W45	CAP, ELY 33R-1E(6)-E6
E8011	23S65134W72	CAP, ELY 3R3-1H(4)-E2
E8012	23S65134W13	CAP, ELY 101-0J(6)-E6
E8013	23S65134W13	CAP, ELY 101-0J(6)-E6
E8014	23T35735Y02	CAP, MVY 101-1C -E6
E8015	23S65134W13	CAP, ELY 101-0J(6)-E6
E8016	23S65134W64	CAP, ELY R47-1H(3)-E2
E8017	23S65134W65	CAP, ELY 1R0-1H(3)-E2
E8018	23S65134W45	CAP, ELY 33R-1E(6)-E6
E8019	23T35735Y02	CAP, MVY 101-1C -E6
E8020	23T35735Y02	CAP, MVY 101-1C -E6
E8021	23T35735Y02	CAP, MVY 101-1C -E6
E8022	23T35735Y02	CAP, MVY 101-1C -E6
E8023	23T35735Y02	CAP, MVY 101-1C -E6
E8024	23T35735Y02	CAP, MVY 101-1C -E6
E8025	23T35735Y02	CAP, MVY 101-1C -E6
E8028	23T35735Y02	CAP, MVY 101-1C -E6
E8029	23T35735Y02	CAP, MVY 101-1C -E6
E8030	23T35735Y02	CAP, MVY 101-1C -E6
E8032	23T35735Y02	CAP, MVY 101-1C -E6
E8033	23T35735Y02	CAP, MVY 101-1C -E6
E8034	23T35735Y02	CAP, MVY 101-1C -E6
E8035	23T35735Y02	CAP, MVY 101-1C -E6
E8036	23T35735Y02	CAP, MVY 101-1C -E6
E8043	23T35735Y02	CAP, MVY 101-1C -E6
E8044	23T35735Y02	CAP, MVY 101-1C -E6
E8045	23T35735Y02	CAP, MVY 101-1C -E6
E8053	23T35735Y02	CAP, MVY 101-1C -E6
E8063	23T35735Y02	CAP, MVY 101-1C -E6
E9501	23S65134W46	CAP, ELY 47R-1E(6)-E6
E9503	23S65134W44	CAP, ELY 22R-1E(6)-E6
E9504	23S65134W47	CAP, ELY 101-1E(8)-E6

## DHA-S680/DHA-S680P

Symbol No.	Part No.	Description
E9505	23S65134W46	CAP, ELY 47R-1E(6)-E6
E9506	23S65134W38	CAP, ELY 471-1C(1)-EA
E9508	23T15765Y23	CAP, TAN 47R-1C-G -E2
E9509	23T15765Y23	CAP, TAN 47R-1C-G -E2

## Resistors

R1001	06S45674W33	RES, RK 101J 1/10 -CP
R2001	06S15594Y12	RES, RK 394F 1/10 -CP
R2002	06S15593Y69	RES, RK 682F 1/10 -CP
R2003	06S15593Y69	RES, RK 682F 1/10 -CP
R2004	06S15593Y69	RES, RK 682F 1/10 -CP
R2005	06S15593Y69	RES, RK 682F 1/10 -CP
R2006	06S45674W54	RES, RK 751J 1/10 -CP
R2007	06T75432W17	RES, RK 244J 1/10 -CP
R2008	06S45674W81	RES, RK 103J 1/10 -CP
R2009	06S15304Y57	RES, RK 222J 1/10 -CP
R2010	06S45674W89	RES, RK 223J 1/10 -CP
R2011	06S45674W75	RES, RK 562J 1/10 -CP
R2012	06S45674W54	RES, RK 751J 1/10 -CP
R2013	06T75432W17	RES, RK 244J 1/10 -CP
R2014	06S45674W81	RES, RK 103J 1/10 -CP
R2015	06S15304Y57	RES, RK 222J 1/10 -CP
R2016	06S45674W89	RES, RK 223J 1/10 -CP
R2017	06S45674W75	RES, RK 562J 1/10 -CP
R2018	06S45674W97	RES, RK 473J 1/10 -CP
R2019	06S15594Y16	RES, RK 564F 1/10 -CP
R2020	06S15594Y19	RES, RK 754F 1/10 -CP
R2025	06S45674W43	RES, RK 271J 1/10 -CP
R2102	06S45674W79	RES, RK 822J 1/10 -CP
R2103	06S45674W21	RES, RK 33RJ 1/10 -CP
R2201	06S15593Y51	RES, RK 122F 1/10 -CP
R2202	06S15593Y63	RES, RK 392F 1/10 -CP
R2203	06S15593Y75	RES, RK 123F 1/10 -CP
R2204	06S15593Y75	RES, RK 123F 1/10 -CP
R2205	06S15593Y63	RES, RK 392F 1/10 -CP
R2206	06S15593Y51	RES, RK 122F 1/10 -CP
R2207	06S15593Y29	RES, RK 151F 1/10 -CP
R2208	06S45674W97	RES, RK 473J 1/10 -CP
R2209	06S45674W97	RES, RK 473J 1/10 -CP
R2210	06S45674W97	RES, RK 473J 1/10 -CP
R2214	06S45674W09	RES, RK 10RJ 1/10 -CP
R2217	06S45674W29	RES, RK 68RJ 1/10 -CP
R2221	06S15593Y92	RES, RK 623F 1/10 -CP
R2223	06S15593Y90	RES, RK 513F 1/10 -CP
R2227	06S45674W09	RES, RK/10RJ 1/10 -CP
R5001	06S45674W21	RES, RK 33RJ 1/10 -CP
R5002	06S45674W29	RES, RK 68RJ 1/10 -CP

Symbol No.	Part No.	Description
R5006	06S45674W81	RES, RK 103J 1/10 -CP
R5009	06S45674W81	RES, RK 103J 1/10 -CP
R5012	06S45674W09	RES, RK 10RJ 1/10 -CP
R5013	06S45674W29	RES, RK 68RJ 1/10 -CP
R5014	06S45674W29	RES, RK 68RJ 1/10 -CP
R5015	06S45674W81	RES, RK 103J 1/10 -CP
R5016	06S45674W81	RES, RK 103J 1/10 -CP
R5017	06S45675W43	RES, RK JUMPER1/10-CP
R5027	06S45674W81	RES, RK 103J 1/10 -CP
R5028	06S45674W57	RES, RK 102J 1/10 -CP
R5029	06S45674W57	RES, RK 102J 1/10 -CP
R5036	06S45674W29	RES, RK 68RJ 1/10 -CP
R5037	06S15594Y17	RES, RK 624F 1/10 -CP
R5046	06S45674W81	RES, RK 103J 1/10 -CP
R5051	06S45674W81	RES, RK 103J 1/10 -CP
R5301	06S45675W30	RES, RK 105J 1/10 -CP
R5302	06S45675W22	RES, RK 474J 1/10 -CP
R5303	06S45675W18	RES, RK 334J 1/10 -CP
R5304	06S45674W81	RES, RK 103J 1/10 -CP
R5305	06S45674W85	RES, RK 153J 1/10 -CP
R5306	06S45674W81	RES, RK 103J 1/10 -CP
R5307	06S45674W79	RES, RK 822J 1/10 -CP
R5308	06S45674W91	RES, RK 273J 1/10 -CP
R5309	06S45674W61	RES, RK 152J 1/10 -CP
R5310	06S45674W65	RES, RK 222J 1/10 -CP
R5311	06S45674W65	RES, RK 222J 1/10 -CP
R5312	06S45674W61	RES, RK 152J 1/10 -CP
R5313	06S70072F19	RES, CP .39R-J-1/4-CP
R5314	06S70072F19	RES, CP .39R-J-1/4-CP
R5315	06S70072F19	RES, CP .39R-J-1/4-CP
R5316	06S70072F19	RES, CP .39R-J-1/4-CP
R5318	06S45674W80	RES, RK 912J 1/10 -CP
R5319	06S45674W58	RES, RK 112J 1/10 -CP
R5320	06S45674W73	RES, RK 472J 1/10 -CP
R5321	06S45674W97	RES, RK 473J 1/10 -CP
R5322	06S45674W97	RES, RK 473J 1/10 -CP
R5323	06S15593Y81	RES, RK 223F 1/10 -CP
R5324	06S15593Y81	RES, RK 223F 1/10 -CP
R5325	06S15593Y81	RES, RK 223F 1/10 -CP
R5326	06S15593Y81	RES, RK 223F 1/10 -CP
R5327	06S45674W65	RES, RK 222J 1/10 -CP
R5328	06S15593Y81	RES, RK 223F 1/10 -CP
R5329	06S45674W09	RES, RK 10RJ 1/10 -CP
R5330	06S15593Y81	RES, RK 223F 1/10 -CP
R5331	06S15593Y81	RES, RK 223F 1/10 -CP
R5332	06S15593Y81	RES, RK 223F 1/10 -CP
R5333	06S45674W09	RES, RK 10RJ 1/10 -CP
R5335	06S45674W81	RES, RK 103J 1/10 -CP
R5336	06S45674W81	RES, RK 103J 1/10 -CP

# DHA-S680/DHA-S680P

Symbol No.	Part No.	Description	Symbol No.	Part No.	Description
R5337	06S45674W81	RES, RK 103J 1/10 -CP	R5399	06S35083Y23	RES, RK 681F 1/4 -CP
R5338	06S45674W81	RES, RK 103J 1/10 -CP	R5601	06S45674W29	RES, RK 68RJ 1/10 -CP
R5339	06S45674W25	RES, RK 47RJ 1/10 -CP	R5602	06S45675W30	RES, RK 105J 1/10 -CP
R5340	06S45674W89	RES, RK 223J 1/10 -CP	R5603	06S45674W49	RES, RK 471J 1/10 -CP
R5341	06S45674W89	RES, RK 223J 1/10 -CP	R5606	06S45674W81	RES, RK 103J 1/10 -CP
R5342	06S45674W25	RES, RK 47RJ 1/10 -CP	R5608	06S45674W81	RES, RK 103J 1/10 -CP
R5343	06S70072F05	RES, CP .10R-J-1/4-CP	R5609	06S45674W81	RES, RK 103J 1/10 -CP
R5344	06S70072F05	RES, CP .10R-J-1/4-CP	R5610	06S45674W81	RES, RK 103J 1/10 -CP
R5345	06S45674W49	RES, RK 471J 1/10 -CP	R5612	06S45674W25	RES, RK 47RJ 1/10 -CP
R5346	06S45674W49	RES, RK 471J 1/10 -CP	R5615	06S15594Y15	RES, RK 514F 1/10 -CP
R5347	06S15594Y12	RES, RK 394F 1/10 -CP	R5616	06S15594Y10	RES, RK 334F 1/10 -CP
R5348	06S45674W54	RES, RK 751J 1/10 -CP	R5617	06S15594Y09	RES, RK 304F 1/10 -CP
R5349	06S45674W54	RES, RK 751J 1/10 -CP	R5620	06S45674W25	RES, RK 47RJ 1/10 -CP
R5350	06S45674W45	RES, RK 331J 1/10 -CP	R5621	06S45674W33	RES, RK 101J 1/10 -CP
R5351	06S15594Y14	RES, RK 474F 1/10 -CP	R5622	06S45674W33	RES, RK 101J 1/10 -CP
R5352	06S15594Y17	RES, RK 624F 1/10 -CP	R5646	06S45674W81	RES, RK 103J 1/10 -CP
R5353	06S45674W54	RES, RK 751J 1/10 -CP	R5647	06S45674W75	RES, RK 562J 1/10 -CP
R5354	06S45674W54	RES, RK 751J 1/10 -CP	R5648	06S45674W57	RES, RK 102J 1/10 -CP
R5355	06S45674W25	RES, RK 47RJ 1/10 -CP	R5666	06S45674W81	RES, RK 103J 1/10 -CP
R5356	06S45674W89	RES, RK 223J 1/10 -CP	R5667	06S45674W81	RES, RK 103J 1/10 -CP
R5357	06S45674W25	RES, RK 47RJ 1/10 -CP	R5668	06S45674W81	RES, RK 103J 1/10 -CP
R5358	06S45674W89	RES, RK 223J 1/10 -CP	R5669	06S45674W81	RES, RK 103J 1/10 -CP
R5359	06S70072F25	RES, CP .68R-J-1/4-CP	R5670	06S45674W81	RES, RK 103J 1/10 -CP
R5360	06S70072F25	RES, CP .68R-J-1/4-CP	R5671	06S45674W81	RES, RK 103J 1/10 -CP
R5361	06S45674W81	RES, RK 103J 1/10 -CP	R5672	06S45674W81	RES, RK 103J 1/10 -CP
R5362	06S45674W81	RES, RK 103J 1/10 -CP	R5673	06S45674W81	RES, RK 103J 1/10 -CP
○ R5363	06S45674W73	RES, RK 472J 1/10 -CP	R5674	06S45674W81	RES, RK 103J 1/10 -CP
R5365	06S70072F53	RES, CP .102-J-1/4-CP	R5675	06S45674W75	RES, RK 562J 1/10 -CP
△ R5369	06S45674W73	RES, RK 472J 1/10 -CP	R5676	06S45674W57	RES, RK 102J 1/10 -CP
● R5370	06S45674W73	RES, RK 472J 1/10 -CP	R5679	06S45675W43	RES, RK JUMPER1/10-CP
R5372	06S45674W17	RES, RK 22RJ 1/10 -CP	R5681	06S45675W43	RES, RK JUMPER1/10-CP
R5373	06S45674W97	RES, RK 473J 1/10 -CP	R5690	06S45674W27	RES, RK 56RJ 1/10 -CP
R5377	06S45674W81	RES, RK 103J 1/10 -CP	R5691	06S45674W45	RES, RK 331J 1/10 -CP
R5380	06S45675W43	RES, RK JUMPER1/10-CP	R6002	06S45674W33	RES, RK 101J 1/10 -CP
R5382	06S15594Y13	RES, RK 434F 1/10 -CP	R6003	06S45674W33	RES, RK 101J 1/10 -CP
R5383	06S15593Y92	RES, RK 623F 1/10 -CP	R6004	06S45674W33	RES, RK 101J 1/10 -CP
R5385	06S45674W77	RES, RK 682J 1/10 -CP	R6007	06S45675W43	RES, RK JUMPER1/10-CP
R5386	06S45674W77	RES, RK 682J 1/10 -CP	R6008	06S45674W33	RES, RK 101J 1/10 -CP
R5387	06S45674W63	RES, RK 182J 1/10 -CP	R6011	06S45674W33	RES, RK 101J 1/10 -CP
R5388	06S45674W63	RES, RK 182J 1/10 -CP	R6012	06S45674W33	RES, RK 101J 1/10 -CP
R5389	06S35083Y22	RES, RK 561F 1/4 -CP	R6013	06S45674W33	RES, RK 101J 1/10 -CP
R5391	06S45674W97	RES, RK 473J 1/10 -CP	R8002	06S45675W06	RES, RK 104J 1/10 -CP
R5392	06S45674W97	RES, RK 473J 1/10 -CP	R8003	06S15594Y20	RES, RK 824F 1/10 -CP
R5393	06S45674W97	RES, RK 473J 1/10 -CP	R8005	06S15593Y49	RES, RK 102F 1/10 -CP
R5394	06S45674W97	RES, RK 473J 1/10 -CP	R8006	06S15593Y65	RES, RK 472F 1/10 -CP
R5395	06S45674W97	RES, RK 473J 1/10 -CP	R8007	06S15594Y19	RES, RK 754F 1/10 -CP
R5396	06S45675W06	RES, RK 104J 1/10 -CP	R8008	06S45674W90	RES, RK 243J 1/10 -CP
R5397	06S15593Y73	RES, RK 103F 1/10 -CP	R8009	06S70072F73	RES, CP .682-J-1/4-CP
R5398	06S45674W97	RES, RK 473J 1/10 -CP	R8010	06S15594Y19	RES, RK 754F 1/10 -CP

NOTE : ○ : For North American Model Only, ● : For General Foreign Model Only,  
 △ : For Japanese Model Only, Others : Common.

DHA-S680/DHA-S680P

Symbol No.	Part No.	Description
R8011	06S70072F69	RES, CP .472-J-1/4-CP
R8012	06S45675W43	RES, RK JUMPER1/10-CP
R8013	06S15594Y19	RES, RK 754F 1/10 -CP
R8014	06S15593Y70	RES, RK 752F 1/10 -CP
R8015	06S70072F39	RES, CP .271-J-1/4-CP
R8016	06S70072F39	RES, CP .271-J-1/4-CP
R8017	06S70072F69	RES, CP .472-J-1/4-CP
R8021	06S45675W12	RES, RK 184J 1/10 -CP
R8022	06S35095Y08	RES, RK JUMPER 1/4-CP
R8024	06S15593Y59	RES, RK 272F 1/10 -CP
R8025	06S15593Y55	RES, RK 182F 1/10 -CP
R8026	06S15593Y49	RES, RK 102F 1/10 -CP
R8028	06S35095Y08	RES, RK JUMPER 1/4-CP
R8030	06S15594Y16	RES, RK 564F 1/10 -CP
R8031	06S15594Y20	RES, RK 824F 1/10 -CP
R8034	06S15594Y19	RES, RK 754F 1/10 -CP
R8035	06S15594Y10	RES, RK 334F 1/10 -CP
R8036	06S15593Y99	RES, RK 124F 1/10 -CP
R8037	06S45674W99	RES, RK 563J 1/10 -CP
R8038	06S45674W57	RES, RK 102J 1/10 -CP
R8039	06S45674W97	RES, RK 473J 1/10 -CP
R8040	06S45674W97	RES, RK 473J 1/10 -CP
R8041	06S45674W97	RES, RK 473J 1/10 -CP
R8042	06S45674W97	RES, RK 473J 1/10 -CP
R8801	06S45674W33	RES, RK 101J 1/10 -CP
R8802	06S45674W33	RES, RK 101J 1/10 -CP
R8803	06S45674W33	RES, RK 101J 1/10 -CP
R8804	06S45674W31	RES, RK 82RJ 1/10 -CP
R8805	06S45674W31	RES, RK 82RJ 1/10 -CP
R8806	06S45674W31	RES, RK 82RJ 1/10 -CP
R9501	06S45674W81	RES, RK 103J 1/10 -CP
R9502	06S15593Y18	RES, RK 51RF 1/10 -CP
R9503	06S15593Y21	RES, RK 68RF 1/10 -CP
R9505	06S15593Y59	RES, RK 272F 1/10 -CP
R9506	06S45674W81	RES, RK 103J 1/10 -CP
R9507	06S45675W02	RES, RK 683J 1/10 -CP
R9508	06S45674W81	RES, RK 103J 1/10 -CP
R9509	06S70072F45	RES, CP .471-J-1/4-CP
R9510	06S45674W17	RES, RK 22RJ 1/10 -CP
R9511	06S95432W51	RES, RK 391J 1/8 -CP
R9512	06S45674W93	RES, RK 333J 1/10 -CP
R9513	06S15593Y43	RES, RK 561F 1/10 -CP
R9514	06S15593Y51	RES, RK 122F 1/10 -CP
R9515	06S15593Y51	RES, RK 122F 1/10 -CP
R9516	06S70072F41	RES, CP .331-J-1/4-CP
R9517	06S70072F41	RES, CP .331-J-1/4-CP
R9518	06S35083Y11	RES, RK 68RF 1/4 -CP
R9519	06S70072F77	RES, CP .103-J-1/4-CP
R9520	06S95432W51	RES, RK 391J 1/8 -CP

Symbol No.	Part No.	Description
R9521	06S45674W63	RES, RK 182J 1/10 -CP
R9522	06S45674W81	RES, RK 103J 1/10 -CP
R9524	06S45674W81	RES, RK 103J 1/10 -CP
R9525	06S15594Y10	RES, RK 334F 1/10 -CP
R9526	06S45674W09	RES, RK 10RJ 1/10 -CP
R9527	06S45674W81	RES, RK 103J 1/10 -CP
R9528	06S45674W81	RES, RK 103J 1/10 -CP
R9529	06S15594Y12	RES, RK 394F 1/10 -CP
R9530	06S95434W38	RES, RK 36RJ 1/4 -CP
R9531	06S15594Y15	RES, RK 514F 1/10 -CP
R9534	06S45674W29	RES, RK 68RJ 1/10 -CP
R9535	06S45674W49	RES, RK 471J 1/10 -CP
R9537	06S45674W81	RES, RK 103J 1/10 -CP
R9538	06S45674W81	RES, RK 103J 1/10 -CP
R9539	06S45674W33	RES, RK 101J 1/10 -CP
R9545	06S45674W43	RES, RK 271J 1/10 -CP
RA2201	06S45591W19	RES, ARY MNR68RJ 4-CP
RA5001	06S45591W11	RES, ARY MNR22RJ 4-CP
RA5002	06S45591W04	RES, ARY MNR103J 4-CP
RA5004	06S45591W19	RES, ARY MNR68RJ 4-CP
RA5005	06S45591W11	RES, ARY MNR22RJ 4-CP
RA5006	06S45591W11	RES, ARY MNR22RJ 4-CP
RA5007	06S45591W11	RES, ARY MNR22RJ 4-CP
RA5008	06S45591W11	RES, ARY MNR22RJ 4-CP
RA5009	06S45591W11	RES, ARY MNR22RJ 4-CP
RA5010	06S45591W11	RES, ARY MNR22RJ 4-CP
RA5011	06S45591W11	RES, ARY MNR22RJ 4-CP
RA5012	06S45591W11	RES, ARY MNR22RJ 4-CP
RA5013	06S45591W11	RES, ARY MNR22RJ 4-CP
RA5014	06S45591W11	RES, ARY MNR22RJ 4-CP
RA5015	06S45591W11	RES, ARY MNR22RJ 4-CP
RA5016	06S45591W11	RES, ARY MNR22RJ 4-CP
RA5017	06S45591W11	RES, ARY MNR22RJ 4-CP
RA5018	06S45591W11	RES, ARY MNR22RJ 4-CP
RA5602	06S15771Y13	RES, ARYEXB28V101J-CP
RA5603	06S15771Y13	RES, ARYEXB28V101J-CP
RA5604	06S15771Y13	RES, ARYEXB28V101J-CP
RA5605	06S15771Y13	RES, ARYEXB28V101J-CP
RA5606	06S15771Y13	RES, ARYEXB28V101J-CP
RA5607	06S45591W07	RES, ARY MNR101J 4-CP
RA5608	06S45591W12	RES, ARY MNR47RJ 4-CP
RA5609	06S45591W12	RES, ARY MNR47RJ 4-CP
RA5610	06S45591W12	RES, ARY MNR47RJ 4-CP
RA5611	06S45591W17	RES, ARY MNR56RJ 4-CP
RA5612	06S45591W17	RES, ARY MNR56RJ 4-CP
RA5613	06S45591W17	RES, ARY MNR56RJ 4-CP
RA5614	06S45591W17	RES, ARY MNR56RJ 4-CP
RA5615	06S45591W17	RES, ARY MNR56RJ 4-CP
RA5616	06S45591W17	RES, ARY MNR56RJ 4-CP

# DHA-S680/DHA-S680P

Symbol No.	Part No.	Description
RA5617	06S45591W17	RES, ARY MNR56RJ 4-CP
RA5618	06S45591W17	RES, ARY MNR56RJ 4-CP
RA5619	06S45591W12	RES, ARY MNR47RJ 4-CP
RA5620	06S45591W12	RES, ARY MNR47RJ 4-CP
RA5621	06S45591W12	RES, ARY MNR47RJ 4-CP
RA5622	06S45591W12	RES, ARY MNR47RJ 4-CP
RA5623	06S15771Y13	RES, ARYEXB28V101J-CP
RA5624	06S15771Y13	RES, ARYEXB28V101J-CP
RA5625	06S15771Y13	RES, ARYEXB28V101J-CP
RA5626	06S15771Y13	RES, ARYEXB28V101J-CP
RA5627	06S15771Y13	RES, ARYEXB28V101J-CP
RA5628	06S15771Y13	RES, ARYEXB28V101J-CP
RA5629	06S15771Y13	RES, ARYEXB28V101J-CP
RA5630	06S15771Y13	RES, ARYEXB28V101J-CP
RA5631	06S45591W07	RES, ARY MNR101J 4-CP
RA9501	06S15771Y11	RES, ARYEXB28V68RJ-CP
RA9502	06S15771Y11	RES, ARYEXB28V68RJ-CP
RA9503	06S15771Y05	RES, ARYEXB28V22RJ-CP
RA9504	06S15771Y05	RES, ARYEXB28V22RJ-CP
RA9505	06S15771Y05	RES, ARYEXB28V22RJ-CP
RA9506	06S15771Y05	RES, ARYEXB28V22RJ-CP
RA9507	06S15771Y11	RES, ARYEXB28V68RJ-CP
RA9508	06S15771Y11	RES, ARYEXB28V68RJ-CP
RA9509	06S15771Y11	RES, ARYEXB28V68RJ-CP
RA9510	06S15771Y11	RES, ARYEXB28V68RJ-CP
RA9511	06S15771Y11	RES, ARYEXB28V68RJ-CP
RA9512	06S15771Y11	RES, ARYEXB28V68RJ-CP
RA9513	06S15771Y11	RES, ARYEXB28V68RJ-CP
RA9514	06S45591W17	RES, ARY MNR56RJ 4-CP
<b>Connectors</b>		
CB5301	09T85454W06	WTB, 53398-0690 -E9
CB5601	09T15153Y50	FFC, FH12-50S -ER
<b>DVD MECH P.W.Board</b>		
<b>IC's</b>		
IC1	51T35255Y01	TC9497F -0T
IC2	51T35254Y01	TA1313FA -0T
IC3	51T15550Y01	MSM514260CP-60TSK-ST
IC4	51T25503Y01	BA5985FM-E2 -SEA
IC5	51T25264Y01	BA6858AFP-E2 -SEA
IC6	51T45571W02	IC ,LB1836M -SE05
IC7	51T15731W10	TC7S66F-TE85L -CP

Symbol No.	Part No.	Description
IC8	51T25209Y03	TC9469BF -0T
IC9	51T15550Y01	MSM514260CP-60TSK-ST
IC10	51T35427Y45	MTP, M30800FCGP
IC14	51T35743Y01	TC7W66FU-TE12L -SE1
IC17	51T25259Y03	BA00ASFP-E2 -NE5
<b>Transistors</b>		
Q1	48T80611F01	CP. 2SB1132-OR-101-E3
Q2	48T80611F01	CP. 2SB1132-OR-101-E3
Q3	48T73888F12	TR ,CP.FMC2-99
Q4	48T62967F03	TR, DTC124EKA-T146-CP
Q5	48T62967F03	TR, DTC124EKA-T146-CP
Q6	48T73888F12	TR ,CP.FMC2-99
<b>Diodes</b>		
D1	48T81063F01	DIO, CP.MA159 / TX-CP
D2	48T81063F01	DIO, CP.MA159 / TX-CP
D3	48T45254W02	DIO, SI MA142WA-TX-CP
D4	48T45254W02	DIO, SI MA142WA-TX-CP
<b>Crystals</b>		
CL1	91T35456Y02	OSC, CER CSTCW22.5-CP
CL2	91T35456Y01	OSC, CER CSTCW18.9-CP
CL3	91T35456Y04	OSC, CER CSTCW45.4-CP
<b>LED</b>		
LD1	48T25583Y01	LED, BLU KB1111CE -CP
<b>Switch</b>		
SW1	40T55182W03	SW, TACT SKHVBB -H5 (EJECT)
<b>Thermistor</b>		
TH3	48T15104Y06	TMT, TH20-3S104GT -CP
<b>Capacitors</b>		
C1	08S45676W85	CAP, CER 104K-B1C -CP

DHA-S680/DHA-S680P

Symbol No.	Part No.	Description
C2	08S45676W73	CAP, CER. 103K-B1H -CP
C3	08S45676W67	CAP, CER. 332K-B1H -CP
C4	08S45676W73	CAP, CER. 103K-B1H -CP
C5	08S45676W85	CAP, CER 104K-B1C -CP
C6	08S45677W48	CAP, CER. 331J-CH1H-CP
C7	08S45677W48	CAP, CER. 331J-CH1H-CP
C9	08S45676W71	CAP, CER. 682K-B1H -CP
C10	08S45677W36	CAP, CER. 101J-CH1H-CP
C11	08S45676W65	CAP, CER. 222K-B1H -CP
C12	08S45677W60	CAP, CER 102J-CH1H-CP
C13	08S45677W60	CAP, CER 102J-CH1H-CP
C14	08S45676W85	CAP, CER 104K-B1C -CP
C17	08S45676W85	CAP, CER 104K-B1C -CP
C18	08S45676W85	CAP, CER 104K-B1C -CP
C19	08S45676W85	CAP, CER 104K-B1C -CP
C20	08S45676W85	CAP, CER 104K-B1C -CP
C21	08S45676W85	CAP, CER 104K-B1C -CP
C22	08S45676W85	CAP, CER 104K-B1C -CP
C23	08S45676W85	CAP, CER 104K-B1C -CP
C24	08S45676W85	CAP, CER 104K-B1C -CP
C25	08S45676W74	CAP, CER 123K-B1H -CP
C26	08S45677W60	CAP, CER 102J-CH1H-CP
C27	08S45676W85	CAP, CER 104K-B1C -CP
C28	08S45676W85	CAP, CER 104K-B1C -CP
C29	08S45676W73	CAP, CER. 103K-B1H -CP
C30	08S45676W85	CAP, CER 104K-B1C -CP
C31	08S45676W73	CAP, CER. 103K-B1H -CP
C35	08S45676W85	CAP, CER 104K-B1C -CP
C36	08S45676W63	CAP, CER 152K-B1H -CP
C37	08S45676W63	CAP, CER 152K-B1H -CP
C38	08S45676W85	CAP, CER 104K-B1C -CP
C39	08S45676W85	CAP, CER 104K-B1C -CP
C40	08S45676W73	CAP, CER. 103K-B1H -CP
C41	08S45676W73	CAP, CER. 103K-B1H -CP
C42	08S45676W73	CAP, CER. 103K-B1H -CP
C43	08S45676W73	CAP, CER. 103K-B1H -CP
C44	08S45676W85	CAP, CER 104K-B1C -CP
C45	08S45676W85	CAP, CER 104K-B1C -CP
C46	08S45677W60	CAP, CER 102J-CH1H-CP
C47	08S45677W60	CAP, CER 102J-CH1H-CP
C48	08S45676W85	CAP, CER 104K-B1C -CP
C49	08S45676W85	CAP, CER 104K-B1C -CP
C50	08S45677W44	CAP, CER. 221J-CH1H-CP
C51	08S45676W68	CAP, CER. 392K-B1H -CP
C52	08S45676W85	CAP, CER 104K-B1C -CP
C53	08S45677W48	CAP, CER. 331J-CH1H-CP
C54	08T15349Y01	CAP, CER 105K-B1A -CP
C55	08S45676W80	CAP, CER 223K-B1E -CP
C56	08S45676W80	CAP, CER 223K-B1E -CP

Symbol No.	Part No.	Description
C57	08S45676W85	CAP, CER 104K-B1C -CP
C58	08T15349Y01	CAP, CER 105K-B1A -CP
C59	08S45676W85	CAP, CER 104K-B1C -CP
C60	08S45677W60	CAP, CER 102J-CH1H-CP
C61	08S45676W85	CAP, CER 104K-B1C -CP
C62	08S45676W85	CAP, CER 104K-B1C -CP
C63	08S45676W85	CAP, CER 104K-B1C -CP
C64	08S45676W80	CAP, CER 223K-B1E -CP
C65	08S45676W85	CAP, CER 104K-B1C -CP
C66	08S45677W32	CAP, CER. 68RJ-CH1H-CP
C67	08S45676W85	CAP, CER 104K-B1C -CP
C68	08S45677W42	CAP, CER. 181J-CH1H-CP
C69	08T55487W02	CAP, CER. 224K-B1C -CP
C70	08S45676W85	CAP, CER 104K-B1C -CP
C71	08S45676W85	CAP, CER 104K-B1C -CP
C72	08S45676W85	CAP, CER 104K-B1C -CP
C73	08S45676W85	CAP, CER 104K-B1C -CP
C77	08S45676W85	CAP, CER 104K-B1C -CP
C78	08S45676W85	CAP, CER 104K-B1C -CP
C79	08S45676W85	CAP, CER 104K-B1C -CP
C80	08S45676W67	CAP, CER. 332K-B1H -CP
C81	08S45677W40	CAP, CER. 151J-CH1H-CP
C82	08S45676W85	CAP, CER 104K-B1C -CP
C83	08S45676W85	CAP, CER 104K-B1C -CP
C84	08S45676W85	CAP, CER 104K-B1C -CP
C85	08S45676W73	CAP, CER. 103K-B1H -CP
C86	08S45676W85	CAP, CER 104K-B1C -CP
C87	08S45676W85	CAP, CER 104K-B1C -CP
C88	08S45676W85	CAP, CER 104K-B1C -CP
C89	08S45676W85	CAP, CER 104K-B1C -CP
C100	08S45676W85	CAP, CER 104K-B1C -CP
C101	08S45676W85	CAP, CER 104K-B1C -CP
C103	08S45676W85	CAP, CER 104K-B1C -CP
C104	08S45676W85	CAP, CER 104K-B1C -CP
C105	08S45676W85	CAP, CER 104K-B1C -CP
C107	08S45677W32	CAP, CER. 68RJ-CH1H-CP
C108	08S45676W85	CAP, CER 104K-B1C -CP
C109	08S45676W85	CAP, CER 104K-B1C -CP
C110	08S45677W10	CAP, CER 8R0D-CH1H-CP
C111	08S45677W10	CAP, CER 8R0D-CH1H-CP
C112	08S45677W10	CAP, CER 8R0D-CH1H-CP
C113	08S45676W85	CAP, CER 104K-B1C -CP
C114	08S45676W85	CAP, CER 104K-B1C -CP
C115	08S45676W85	CAP, CER 104K-B1C -CP
C116	08S45676W85	CAP, CER 104K-B1C -CP
C117	08S45676W85	CAP, CER 104K-B1C -CP
C118	08S45676W85	CAP, CER 104K-B1C -CP
C119	08S45676W85	CAP, CER 104K-B1C -CP
C121	08S45676W85	CAP, CER 104K-B1C -CP

# DHA-S680/DHA-S680P

Symbol No.	Part No.	Description
C122	08S45676W85	CAP, CER 104K-B1C -CP
C123	08S45676W85	CAP, CER 104K-B1C -CP
C124	08S45676W85	CAP, CER 104K-B1C -CP
C127	08S45676W73	CAP, CER. 103K-B1H -CP
C134	08S45676W85	CAP, CER 104K-B1C -CP
C135	08S45676W85	CAP, CER 104K-B1C -CP
C136	08S45676W85	CAP, CER 104K-B1C -CP
C138	08S45676W85	CAP, CER 104K-B1C -CP
C140	08S45676W85	CAP, CER 104K-B1C -CP
C142	08S45676W85	CAP, CER 104K-B1C -CP
C143	08S45676W85	CAP, CER 104K-B1C -CP
C144	08S45677W10	CAP, CER 8R0D-CH1H-CP
C145	08S82122F43	CAP, CER. 181J-CH1H-CP
E1	23S65134W11	CAP, ELY 22R-0J(4)-E2
E2	23S55311W28	CAP, TAN 22R-1A-B -CP
E3	23S65134W11	CAP, ELY 22R-0J(4)-E2
E4	23S55311W28	CAP, TAN 22R-1A-B -CP
E5	23S55311W35	CAP, TAN 10R-1C-B -CP
E6	23S55311W35	CAP, TAN 10R-1C-B -CP
E7	23S55311W35	CAP, TAN 10R-1C-B -CP
E8	23S55311W26	CAP, TAN 10R-1A-A -CP
E9	23S55311W26	CAP, TAN 10R-1A-A -CP
E10	23S55311W26	CAP, TAN 10R-1A-A -CP
E11	23S55311W26	CAP, TAN 10R-1A-A -CP
E12	23S55311W35	CAP, TAN 10R-1C-B -CP
E13	23S55311W26	CAP, TAN 10R-1A-A -CP
E14	23S55311W28	CAP, TAN 22R-1A-B -CP
E15	23S55311W26	CAP, TAN 10R-1A-A -CP
E16	23S65134W12	CAP, ELY 47R-0J(5)-E3
E17	23S55311W46	CAP, TAN. 22R-1D-D -CP
E18	23S55311W57	CAP, TAN 22R-1E-E -E2
E19	23S55311W56	CAP, TAN 10R-1E-C -E2
E20	23S55311W56	CAP, TAN 10R-1E-C -E2
E21	23S55311W35	CAP, TAN 10R-1C-B -CP
E22	23S65134W12	CAP, ELY 47R-0J(5)-E3
E23	23S55311W28	CAP, TAN 22R-1A-B -CP
E24	23S55311W35	CAP, TAN 10R-1C-B -CP
E25	23S65134W15	CAP, ELY 331-0J(8)-E6
E26	23S65134W24	CAP, ELY 221-1A(8)-E6
E27	23S65134W15	CAP, ELY 331-0J(8)-E6
E28	23S55311W35	CAP, TAN 10R-1C-B -CP
E29	23S55311W28	CAP, TAN 22R-1A-B -CP
E30	23S55311W51	CAP, TAN. 1R0-1E-A -CP
E31	23S55311W46	CAP, TAN. 22R-1D-D -CP
<b>Resistors</b>		
R1	06S45674W33	RES, RK 101J 1/10 -CP

Symbol No.	Part No.	Description
R2	06S45674W33	RES, RK 101J 1/10 -CP
R3	06S45674W33	RES, RK 101J 1/10 -CP
R4	06S45674W81	RES, RK 103J 1/10 -CP
R5	06S45675W10	RES, RK 154J 1/10 -CP
R6	06S45674W81	RES, RK 103J 1/10 -CP
R7	06S45675W10	RES, RK 154J 1/10 -CP
R8	06S45674W95	RES, RK 393J 1/10 -CP
R9	06S45675W10	RES, RK 154J 1/10 -CP
R10	06S45674W57	RES, RK 102J 1/10 -CP
R11	06S45674W93	RES, RK 333J 1/10 -CP
R12	06S45674W57	RES, RK 102J 1/10 -CP
R13	06S45674W89	RES, RK 223J 1/10 -CP
R14	06S45674W57	RES, RK 102J 1/10 -CP
R15	06S45674W93	RES, RK 333J 1/10 -CP
R16	06S45674W57	RES, RK 102J 1/10 -CP
R17	06S45674W89	RES, RK 223J 1/10 -CP
R18	06S45674W75	RES, RK 562J 1/10 -CP
R19	06S45674W73	RES, RK 472J 1/10 -CP
R20	06S45675W14	RES, RK 224J 1/10 -CP
R21	06S45674W53	RES, RK 681J 1/10 -CP
R22	06S45674W33	RES, RK 101J 1/10 -CP
R23	06S45674W97	RES, RK 473J 1/10 -CP
R24	06S45675W06	RES, RK 104J 1/10 -CP
R25	06S45674W81	RES, RK 103J 1/10 -CP
R26	06S45675W43	RES, RK JUMPER1/10-CP
R29	06S45675W43	RES, RK JUMPER1/10-CP
R31	06S45674W95	RES, RK 393J 1/10 -CP
R32	06S45674W81	RES, RK 103J 1/10 -CP
R33	06S45674W81	RES, RK 103J 1/10 -CP
R34	06S45674W81	RES, RK 103J 1/10 -CP
R35	06S45674W81	RES, RK 103J 1/10 -CP
R36	06S45674W81	RES, RK 103J 1/10 -CP
R37	06S45674W41	RES, RK 221J 1/10 -CP
R39	06S15593Y89	RES, RK 473F 1/10 -CP
R40	06S15593Y85	RES, RK 333F 1/10 -CP
R41	06S45674W41	RES, RK 221J 1/10 -CP
R44	06S45675W30	RES, RK 105J 1/10 -CP
R45	06S45674W73	RES, RK 472J 1/10 -CP
R46	06S45675W22	RES, RK 474J 1/10 -CP
R47	06S45674W81	RES, RK 103J 1/10 -CP
R48	06S45674W81	RES, RK 103J 1/10 -CP
R49	06S45674W21	RES, RK 33RJ 1/10 -CP
R50	06S45675W02	RES, RK 683J 1/10 -CP
R52	06S45674W81	RES, RK 103J 1/10 -CP
R53	06S45674W81	RES, RK 103J 1/10 -CP
R54	06S45674W81	RES, RK 103J 1/10 -CP
R55	06S45674W57	RES, RK 102J 1/10 -CP
R56	06S45674W57	RES, RK 102J 1/10 -CP
R57	06S95434W36	RES, RK 30RJ 1/4 -CP



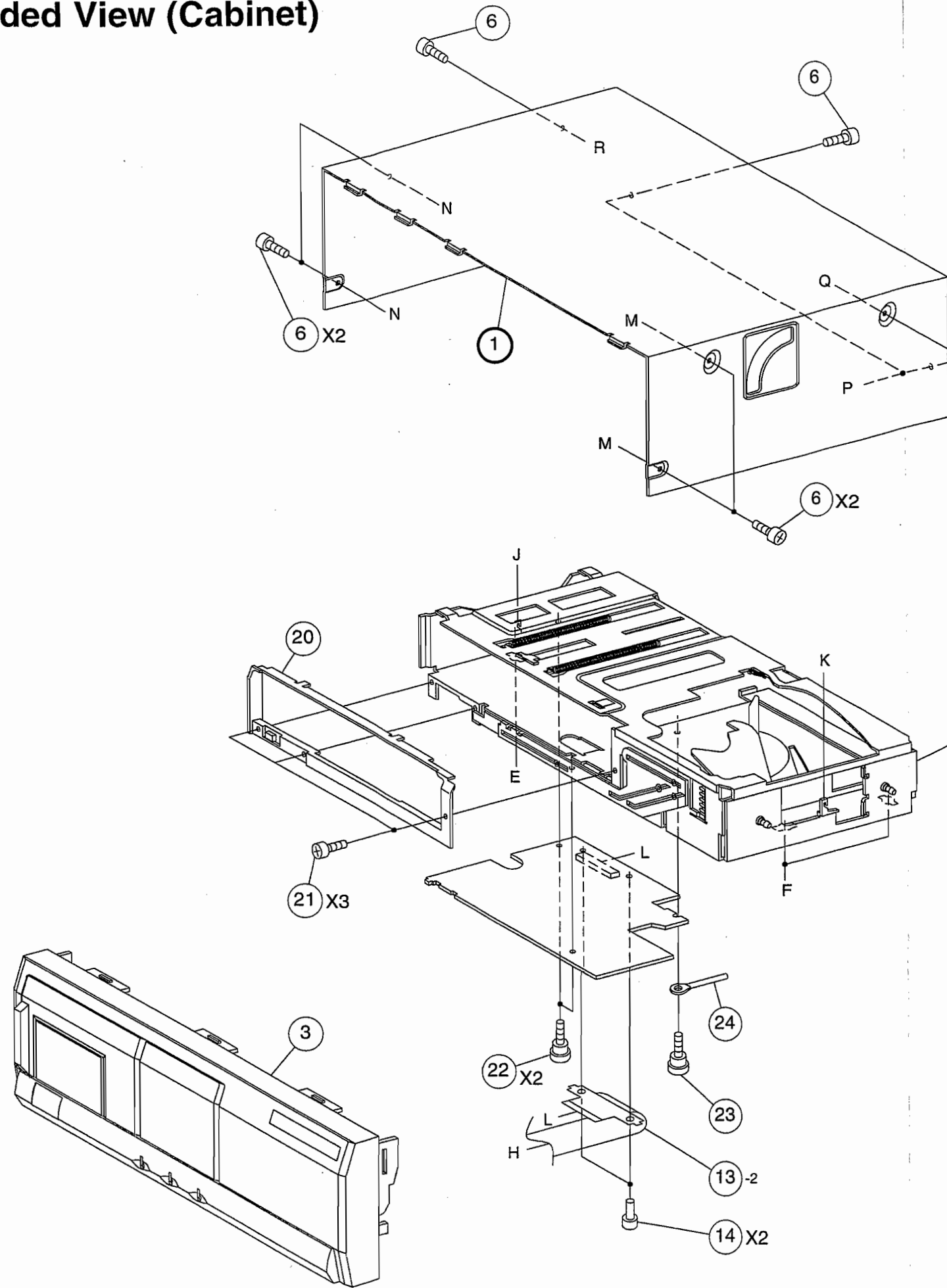
Symbol No.	Part No.	Description
R58	06S95434W36	RES. RK 30RJ 1/4 -CP
R59	06S95434W36	RES. RK 30RJ 1/4 -CP
R60	06S45675W06	RES. RK 104J 1/10 -CP
R62	06S70072F05	RES. CP . 10R-J-1/4-CP
R63	06S70072F05	RES. CP . 10R-J-1/4-CP
R64	06S70072F13	RES. CP . 22R-J-1/4-CP
R73	06S45674W33	RES. RK 101J 1/10 -CP
R74	06S45674W33	RES. RK 101J 1/10 -CP
R79	06S45674W97	RES. RK 473J 1/10 -CP
R80	06S45674W33	RES. RK 101J 1/10 -CP
R81	06S45674W57	RES. RK 102J 1/10 -CP
R82	06S45674W33	RES. RK 101J 1/10 -CP
R83	06S45674W81	RES. RK 103J 1/10 -CP
R84	06S45674W81	RES. RK 103J 1/10 -CP
R85	06S45674W33	RES. RK 101J 1/10 -CP
R86	06S45674W33	RES. RK 101J 1/10 -CP
R87	06S45674W57	RES. RK 102J 1/10 -CP
R88	06S45674W89	RES. RK 223J 1/10 -CP
R89	06S45674W89	RES. RK 223J 1/10 -CP
R90	06S45674W49	RES. RK 471J 1/10 -CP
R92	06S45674W43	RES. RK 271J 1/10 -CP
R93	06S45675W43	RES. RK JUMPER1/10-CP
R94	06S45674W81	RES. RK 103J 1/10 -CP
R95	06S45674W89	RES. RK 223J 1/10 -CP
R96	06S45674W89	RES. RK 223J 1/10 -CP
R97	06S45674W81	RES. RK 103J 1/10 -CP
R98	06S45674W97	RES. RK 473J 1/10 -CP
R99	06S45674W89	RES. RK 223J 1/10 -CP
R100	06S45674W89	RES. RK 223J 1/10 -CP
R101	06S45674W81	RES. RK 103J 1/10 -CP
R102	06S70072F21	RES. CP . 47R-J-1/4-CP
R103	06S45674W97	RES. RK 473J 1/10 -CP
R105	06S45674W27	RES. RK 56RJ 1/10 -CP
R106	06S70072F90	RES. CP . 1R0-J-1/4-CP
R107	06S70072F90	RES. CP . 1R0-J-1/4-CP
R108	06S70072F90	RES. CP . 1R0-J-1/4-CP
R111	06S45674W97	RES. RK 473J 1/10 -CP
R112	06S45674W97	RES. RK 473J 1/10 -CP
R113	06S45674W97	RES. RK 473J 1/10 -CP
R114	06S70072F21	RES. CP . 47R-J-1/4-CP
R115	06S45675W22	RES. RK 474J 1/10 -CP
R116	06S45674W97	RES. RK 473J 1/10 -CP
R117	06S15593Y61	RES. RK 332F 1/10 -CP
R118	06S15593Y55	RES. RK 182F 1/10 -CP
R119	06S45674W81	RES. RK 103J 1/10 -CP
R120	06S45674W27	RES. RK 56RJ 1/10 -CP
R121	06S45674W27	RES. RK 56RJ 1/10 -CP
R122	06S45674W27	RES. RK 56RJ 1/10 -CP
R123	06S45674W27	RES. RK 56RJ 1/10 -CP

Symbol No.	Part No.	Description
R124	06S45674W33	RES. RK 101J 1/10 -CP
R130	06S45674W97	RES. RK 473J 1/10 -CP
R131	06S45674W49	RES. RK 471J 1/10 -CP
R132	06S45674W73	RES. RK 472J 1/10 -CP
R134	06S45674W97	RES. RK 473J 1/10 -CP
R135	06S45675W34	RES. RK 225J 1/10 -CP
R136	06S45675W34	RES. RK 225J 1/10 -CP
R137	06S45675W34	RES. RK 225J 1/10 -CP
R138	06S45674W97	RES. RK 473J 1/10 -CP
R145	06S45674W97	RES. RK 473J 1/10 -CP
R146	06S45675W34	RES. RK 225J 1/10 -CP
R147	06S45675W34	RES. RK 225J 1/10 -CP
R148	06S45674W97	RES. RK 473J 1/10 -CP
R149	06S45674W97	RES. RK 473J 1/10 -CP
R150	06S45674W97	RES. RK 473J 1/10 -CP
R151	06S45674W97	RES. RK 473J 1/10 -CP
R152	06S45675W06	RES. RK 104J 1/10 -CP
R153	06S45675W34	RES. RK 225J 1/10 -CP
R154	06S45675W34	RES. RK 225J 1/10 -CP
R155	06S45675W34	RES. RK 225J 1/10 -CP
R157	06S45674W81	RES. RK 103J 1/10 -CP
R158	06S45674W33	RES. RK 101J 1/10 -CP
R159	06S45674W27	RES. RK 56RJ 1/10 -CP
R162	06S45674W97	RES. RK 473J 1/10 -CP
R166	06S45675W06	RES. RK 104J 1/10 -CP
R167	06S45674W33	RES. RK 101J 1/10 -CP
R168	06S45674W33	RES. RK 101J 1/10 -CP
R169	06S45674W33	RES. RK 101J 1/10 -CP
R170	06S45674W97	RES. RK 473J 1/10 -CP
R171	06S45675W43	RES. RK JUMPER1/10-CP
R173	06S45674W97	RES. RK 473J 1/10 -CP
R174	06S45674W97	RES. RK 473J 1/10 -CP
R176	06S45675W43	RES. RK JUMPER1/10-CP
R177	06S45675W43	RES. RK JUMPER1/10-CP
R178	06S45674W33	RES. RK 101J 1/10 -CP
R182	06S45674W33	RES. RK 101J 1/10 -CP
R183	06S45674W33	RES. RK 101J 1/10 -CP
R184	06S45674W33	RES. RK 101J 1/10 -CP
R185	06S45674W33	RES. RK 101J 1/10 -CP
R186	06S45674W33	RES. RK 101J 1/10 -CP
R187	06S45674W33	RES. RK 101J 1/10 -CP
R188	06S45674W81	RES. RK 103J 1/10 -CP
R190	06S45674W75	RES. RK 562J 1/10 -CP
R191	06S45674W97	RES. RK 473J 1/10 -CP
R192	06S45674W97	RES. RK 473J 1/10 -CP
R193	06S45674W97	RES. RK 473J 1/10 -CP
R194	06S45674W97	RES. RK 473J 1/10 -CP
R195	06S45674W97	RES. RK 473J 1/10 -CP
R196	06S45674W97	RES. RK 473J 1/10 -CP

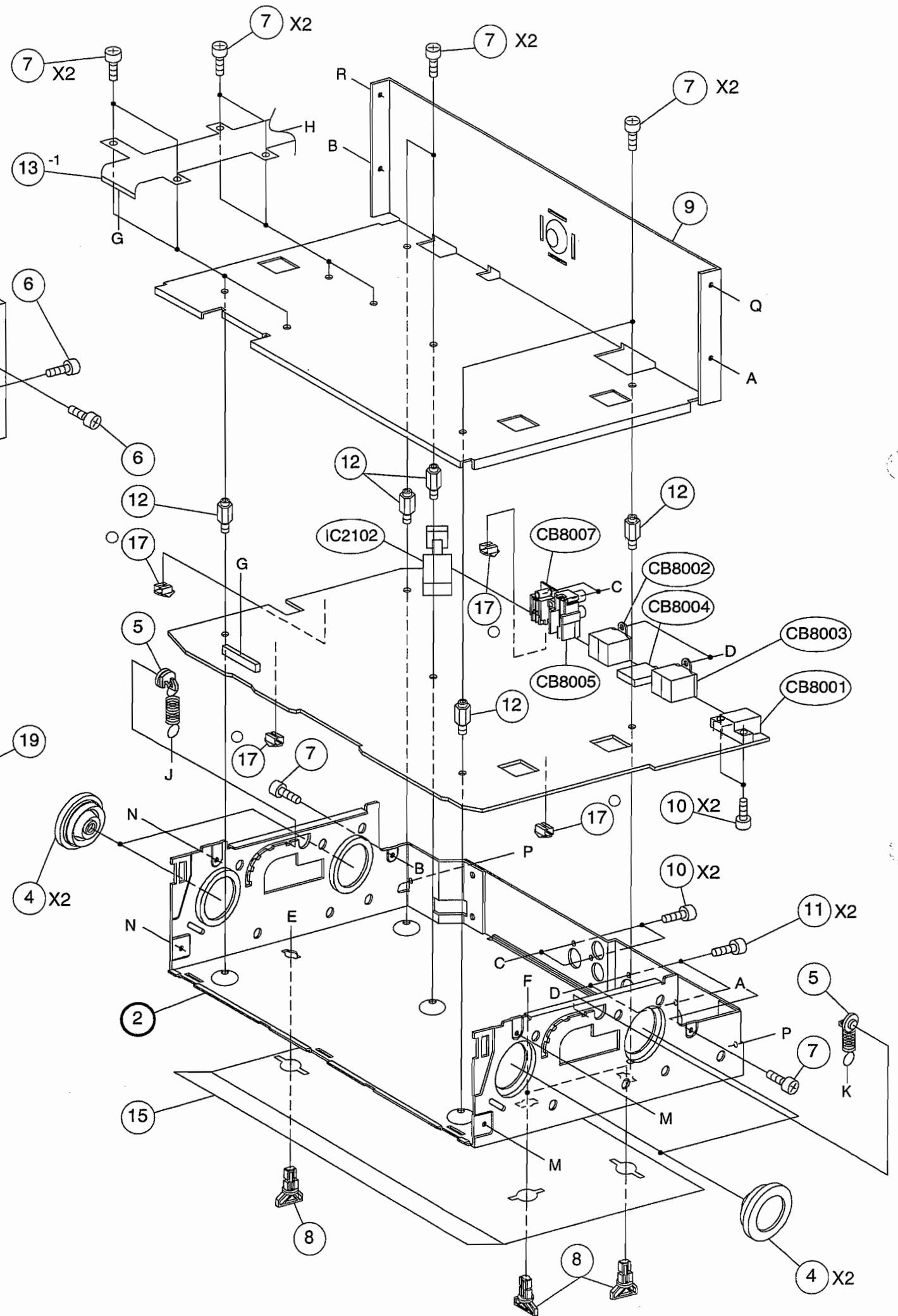
Symbol No.	Part No.	Description
R197	06S45674W97	RES. RK 473J 1/10 -CP
R198	06S45674W97	RES. RK 473J 1/10 -CP
R199	06S45674W97	RES. RK 473J 1/10 -CP
R200	06S45674W97	RES. RK 473J 1/10 -CP
R201	06S45674W97	RES. RK 473J 1/10 -CP
R202	06S45674W97	RES. RK 473J 1/10 -CP
R203	06S45674W97	RES. RK 473J 1/10 -CP
R204	06S45674W97	RES. RK 473J 1/10 -CP
R205	06S45674W97	RES. RK 473J 1/10 -CP
R206	06S45674W97	RES. RK 473J 1/10 -CP
R207	06S45674W97	RES. RK 473J 1/10 -CP
R208	06S45674W33	RES. RK 101J 1/10 -CP
R209	06S45675W43	RES. RK JUMPER1/10-CP
R210	06S45675W43	RES. RK JUMPER1/10-CP
R213	06S45674W97	RES. RK 473J 1/10 -CP
R215	06S45675W43	RES. RK JUMPER1/10-CP
R216	06S45674W33	RES. RK 101J 1/10 -CP
R217	06S45674W33	RES. RK 101J 1/10 -CP
R218	06S45674W33	RES. RK 101J 1/10 -CP
R219	06S45674W33	RES. RK 101J 1/10 -CP
R235	06S45675W43	RES. RK JUMPER1/10-CP
RA1	06S45591W07	RES. ARY MNR101J 4-CP
RA2	06S45591W07	RES. ARY MNR101J 4-CP
RA3	06S45591W07	RES. ARY MNR101J 4-CP
RA4	06S45591W07	RES. ARY MNR101J 4-CP
RA5	06S45591W07	RES. ARY MNR101J 4-CP
RA6	06S45591W07	RES. ARY MNR101J 4-CP
RA7	06S45591W17	RES. ARY MNR56RJ 4-CP
RA8	06S45591W17	RES. ARY MNR56RJ 4-CP
RA9	06S45591W17	RES. ARY MNR56RJ 4-CP
RA10	06S45591W17	RES. ARY MNR56RJ 4-CP
RA11	06S45591W17	RES. ARY MNR56RJ 4-CP
RA12	06S45591W17	RES. ARY MNR56RJ 4-CP
<b>Connectors</b>		
CB1	09T15108Y30	FFC, 52437-3091 -ED
CB2	09T15107Y30	FFC, 52435-3091 -EQ
CB3	09T75307W04	WTB, 53261-0490 -E9
CB4	09T15107Y16	FFC, 52745-1690 -E9
CB6	09T35050Y50	FFC, FH12S-50S -EQ

Symbol No.	Part No.	Description
<b>Elevator P. W. Board</b>		
<b>Connector</b>		
CH3	01T35436Y01	ASSY. WIRE MOTOR 4PV
<b>Miscellaneous</b>		
CB8001	09T13515W04	WTB, 5569-04A1 -DB (POWER)
CB8002	09T55071W01	CONN. TCP9389 BLACK (Ai-NET OUT)
CB8003	09T55071W02	CONN. TCP9389 GREY (Ai-NET IN)
CB8004	09T75119W02	JAC, HSJ6063-012 -DB (REMOTE EYE IN)
CB8005	09T45394Y01	RCA, JPJ8411-01-32-DB (AUDIO OUT)
CB8007	09T45393Y01	RCA, JPJ2074-01004-DB (VIDEO OUT)
IC2102	51T75111W01	TOTX193 -DS (OPT OUT)
<b>DT66V010</b>		
HD101	88T55031Y01	PICK, TPU3011A-H
M101	01V14300Y99	ASSY. MOTOR (LOADING/7V-370mA)
M102	59T65085W01	MOTOR, LOAD FF-050SK (ELEVATOR/7V-370mA)
M103	01V38200Y99	ASSY. MOTOR SLED (5V-245mA)
M104	01V38200Y98	ASSY. MOTOR SPD (VM: 12V, VCC: 5V-330mA)
S101	40T35543W02	SW, DET. SPVC21 -E07 (UNLOAD)
S102	40T35543W02	SW, DET. SPVC21 -E07 (LOADING)
SW104	40T15222W01	SW, DETECTOR (MAGAZINE IN)
SW105	40T71025F01	SW, DETCT SPPB1102-DB (LIMIT)
VR1	18T55678W01	SLD, RS32111 103-BX1 (LINEAR POSITION SENSOR)

Exploded View (Cabinet)



NOTE : ○ : For North American Model Only,  
Others : Common.





## DVD Changer Mechanism Assembly Parts List

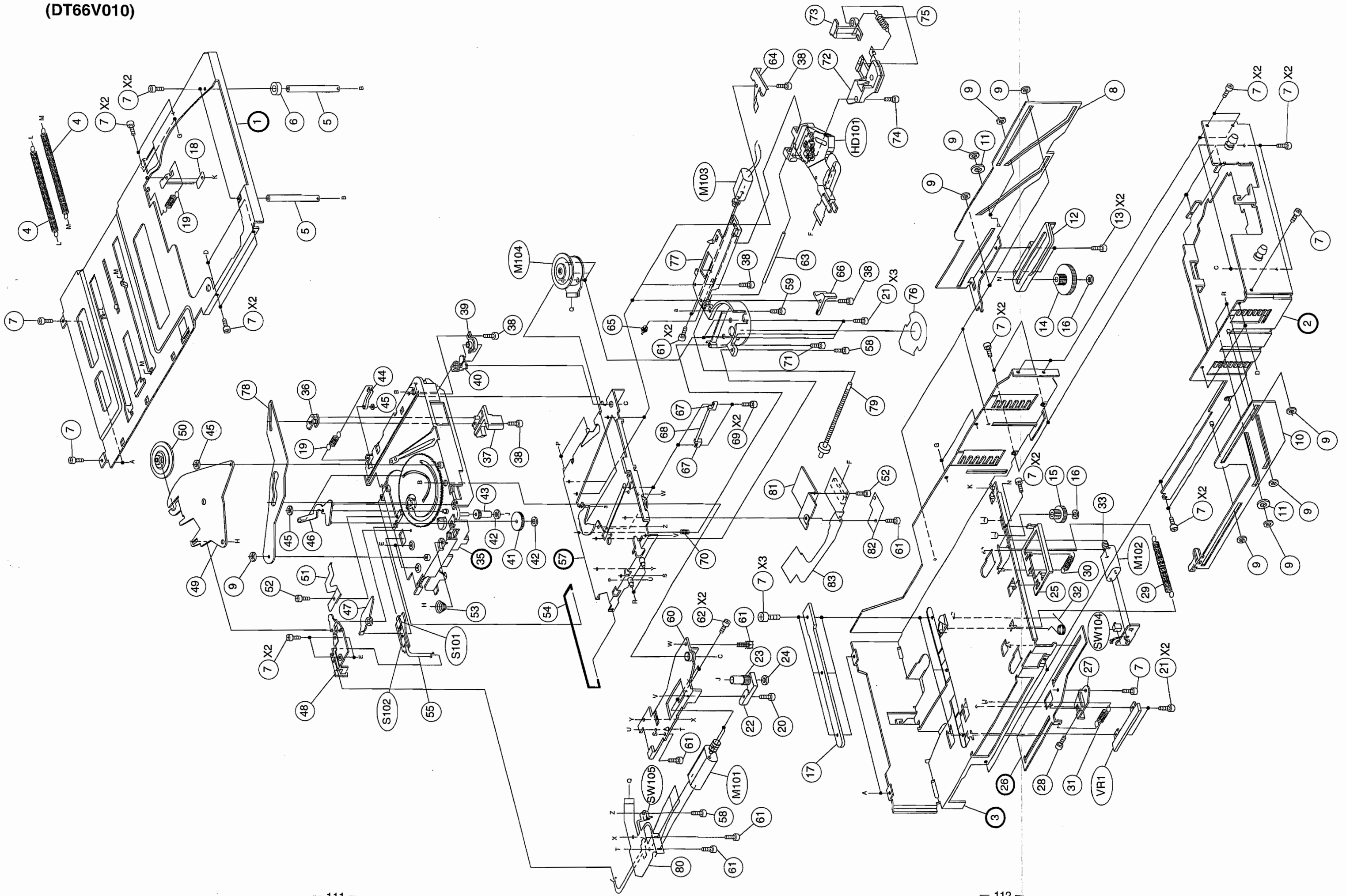
NOTE: Parts without part number are not supplied.

Symbol No.	Index	Part No.	Description	Symbol No.	Index	Part No.	Description
4		41B51993W01	SPRING, EXTENSION	53		41A51995W01	SPRING, COMPRESSION
5		47A51917W01	SHAFT, GUIDE	54		41A51923W01	SPRING, ROD
6		75A80830W01	RUBBER, SLEEVE	55		84T65057W01	FPC, SW/TRAY
7		03S94385F19	SCR, NYLOK M2X2.5	58		03S40014G84	SCREW, MACHINE M2X6.5
8		45B20458Y01	SLIDER, CAM A S	59		03S40014G75	SCR, MCH M2X9
9		04B41345P22	WASH, 2.6X6X0.35	60		07C31177Y01	BKT, BASE(B) DTV
10		45B20459Y01	SLIDER, CAM B S	61		03S40014G66	SCR, MACHINE M2X3.5
11		04B41345P05	WASH, 3.5X8X0.25	62		03S94385F58	SCR, NYLOK M2X3.5
12		44B51886W01	RACK, ELEVATOR	63		47A90995W01	SHAFT, PICKUP
13		03S40014G07	SCR, MCH M2X4	64		41A31498Y01	STOPPER, SHAFT
14		44A60088W01	GEAR, RACK	65		44A21734Y01	GEAR, MIDDLE-DV
15		44A60089W01	GEAR, WHEEL	66		07A31496Y01	BKT, GEAR
16		04B41345P24	WASH, 2.1X5X0.35	67		07A31178Y01	BKT, SHAFT DTV
17		15A31865Y01	GUIDE, MAGAZINE DTV	68		47A90995W02	SHAFT PICKUP
18		45A51880W01	STOPPER, TRAY	69		03A31835Y01	SCR, ADJUST DTV
19		41B51993W02	SPRING, EXTENSION	70		41A91651W01	SPRING, COMP
20		03S40014G16	SCR, MCH M2X14	71		03A90997W01	SCREW, ADJUST
21		03S94385F01	SCR, NYLOK M1.7X2.3	72		41B31497Y01	SPRING, NUT
22		45A60160W01	SPACER, BKT MOTOR	73		07A30224Y01	BKT, SPRING NUT2
23		44A52035W01	GEAR, DRIVE	74		03S94385F80	SCR, NYLOCK M1.7X4
24		04B41345P02	WASH, 1.7X3.5X0.25	75		41B91640W08	SPRING, PULL
25		45A51874W01	SLIDE, MAG. SW	76		15A42025Y01	COVER, WIRE
27		07A51882W01	BKT, SENSOR	77		07D31830Y01	BKT, BASE(A)
28		03S94385F11	SCR, NYLOK M2X5 P2	78		45A52034W01	LEVER, CAM
29		41B51993W03	SPRING, EXTENSION	79		01V96600W15	ASSY, GEAR SCREW
30		41B51993W04	SPRING, EXTENSION	80		84T35646Y01	FPC, MOTOR
31		41B51993W05	SPRING, EXTENSION	81		41A31905Y01	BKT, FPC
32		41A51996W01	SPRING, TORSION	82		15A42026Y01	COVER, FPC
33		44A10811Y01	WORM, STD	83		01T35645Y01	FPC, PICKUP
36		01A51932W01	ASSY, RIV BKT PUSH P				
37		45A51898W01	ARM, PUSH PULL				
38		03S40014G61	SCR, MCH M2X5				
39		15A51890W01	GUIDE, CHASSIS TRAY				
40		07A51884W01	BKT, CORNER				
41		44A52036W01	GEAR, CAM				
42		04B41345P15	WASH, 1.2X3.5X0.35				
43		44A51896W01	GEAR, DRIVEN				
44		45A51894W01	ARM, TRAY A				
45		04B41345P12	WASH, L. 1.7X3.5X0.35				
46		01A51937W01	ASSY, RIV LEVER SLIDE				
47		45A51887W01	ARM, SW				
48		15B51891W01	GUIDE, TRAY SIDE				
49		07B51879W01	BKT, CLAMPER				
50		43A91063W01	TABLE, CLAMPER-D				
51		41A51872W01	SPRING, CLAMPER				
52		03S94385F07	SCR, NYLOK M2X2				

# Exploded View (DVD Changer Mechanism)

(DT66V010)

DHA-S680/DHA-S680P





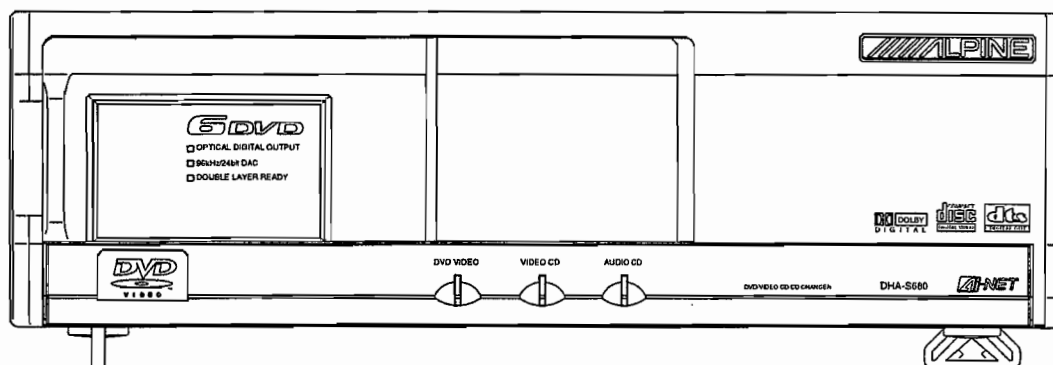
# ALPINE SERVICE MANUAL

## DVD/VIDEO CD/CD Changer



### - REVISED -

- The model described in this manual is developed from Model DHA-S680/DHA-S680P.  
For information that is not mentioned in this service manual, refer to the Service Manual ·  
DHA-S680/DHA-S680P (Part No. 68E32364S01).
- Product Issue "C" (North American Model only).  
"B" (General Foreign Model / Japanese Model).



(DHA-S680)



# DHA-S680/DHA-S680P

## <Cautions for Safe Repair Work>



The following cautions will prevent accidents in the workplace and will ensure safe products.

●The symbols indicate caution is needed to prevent injuries and damage to property.



The symbols and their meanings follow.

	<b>Warning</b>	If you ignore this symbol and handle the product incorrectly or unsafely, serious injury or death may result.
	<b>Caution</b>	If you ignore this symbol and handle the product incorrectly or unsafely, injury or only material damage may result.



●The following symbols indicate two levels of cautions.



	When you see this symbol, you have to be very careful.
	When you see this symbol, you have to follow the instructions there.



### **Warning**



	<b>Do not look squarely into the laser light coming from the pickup.</b> You may loose you sight.		<b>Fuse Caution</b> Always use a designated fuse. Use of an incorrect fuse may result in a fire.
--	--	--	--


### **Caution**

	<b>Do not allow wiring to be caught in the screw/chassis.</b> If wiring is caught in the screw/chassis, it may cause a short circuit, resulting in a fire.		<b>Battery Caution</b> Use the designated battery. Confirm the correct polarity and seat of the battery. An incorrect battery or an improperly connected or seated battery may result in a fire.
---	---	---	---

	<b>High Temperature Caution</b> Touching the heat sink may cause severe burns.		<b>Designated Parts Caution</b> Look up the part list and ensure that only designated parts are used to prevent problems or accidents.
---	---	---	---

	<b>Reverse Power Supply Connections or Misconnections Caution</b> Reverse power supply connections or misconnections may cause ignition problems and smoke may result.		<b>Wiring Caution</b> Ensure that the wiring is correct when rewiring to prevent problems with ignition/breakdown.
---	---	---	---

	<b>Soldering Caution</b> Hot solder from solder splash may cause severe burns.		<b>Wear Gloves</b> Wear gloves to prevent electrical shocks or injury from the end face of the metal.
---	---	---	--

	<b>For the FDA laser standard, the following CAUTION label is stuck on each product.</b> Please be careful for repair.	<b>CAUTION-Laser radiation when open, DO NOT STARE INTO BEAM</b>
---	---	--





## <修理作業安全上の注意>



作業時の事故防止及び製品の安全確保のために、必ずお守りいただくことを説明致します。

●あなたや他の人々への危害や財産への損害を未然に防ぐために、絵表示をしています。



その表示と意味は次のようになっています。

 <b>警告</b>	この表示を無視して、誤った取り扱いをすると、人が死亡または重傷を負う可能性が想定される内容を示しています。
 <b>注意</b>	この表示を無視して、誤った取り扱いをすると、人が傷害を負う危険が想定される内容及び物的損害のみの発生が想定される内容を示しています。









●内容の種類により、次の表示で区分し、説明しています。

 この表示は、気を付けていただく内容です。	
 この表示は、必ず実行していただく内容です。	

### 警告

 ピックアップのレーザー光を直視しない。 レーザー光を直視すると、失明する恐れがあります。	 定められたヒューズを使用する。 火災や故障の原因となるので、必ず指定されたヒューズを使用する。
---	--

### 注意

 配線は挟み込まない。 ねじやシャーシに挟み込むとショートし、火災の原因になることがあります。	 電池は正しく使う。 指定の電池を使用して下さい。 極性を確認して入れる。間違っていると故障や火災の原因になることがあります。
 高温注意。 ヒートシンクに触るとやけどの原因になることがあります。	 部品は指定のものを使用する。 部品表に記載してある部品を使用する。 故障の原因になることがあります。
 電源の逆/誤接続をしない。 発煙・発火や故障の原因になります。	 配線はもとどおりにする。 違った引回しにより、故障・発火などの原因になります。
 半田付け時に注意。 半田付けする時には、飛び散りによりやけどなどの原因になることがあります。	 修理時には手袋を着用する。 金属端面によるけがや、感電を防止するため必ず手袋を着用してください。



# Parts Layout on P.W.Boards and Wiring Diagram (Only Difference)

DHA-S680/DHA-S680P

NOTE : Refer to the Service Manual - DHA-S680/DHA-S680P(Part No.68E32364S01) for description not mentioned in this manual.

※記載されていない部分については、サービスマニュアル・DHA-S680/DHA-S680P(68E32364S01)を参照願います。

NOTE: ○:For North American Model Only,  
●:For General Foreign Model Only,  
△:For Japanese Model Only,  
Others:Common.

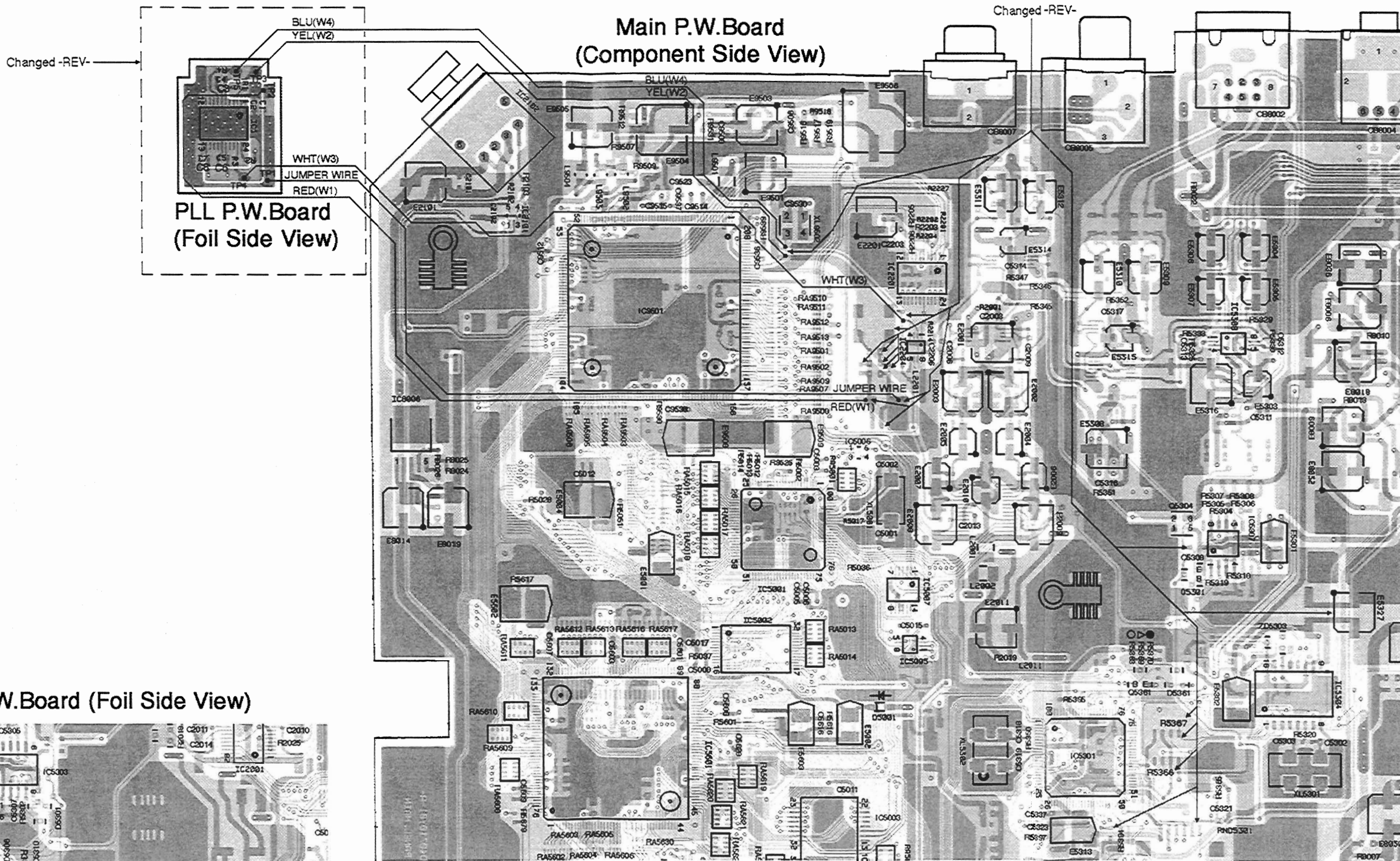
1

2

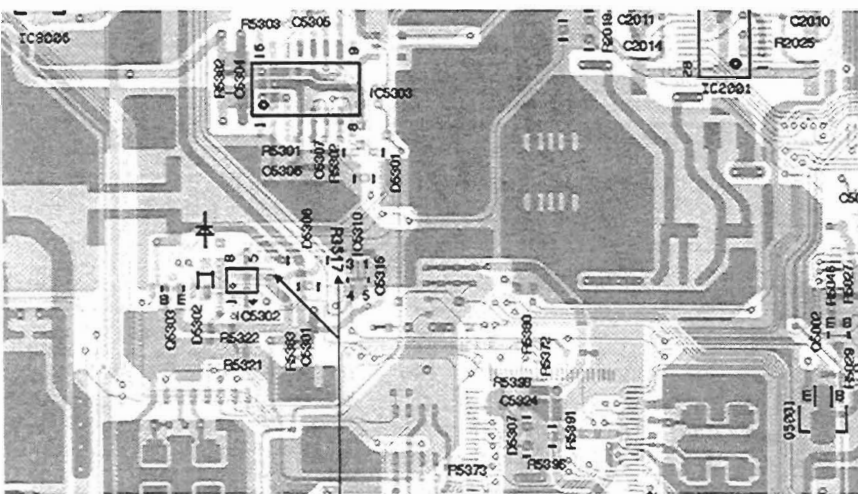
3

4

5



Main P.W.Board (Foil Side View)



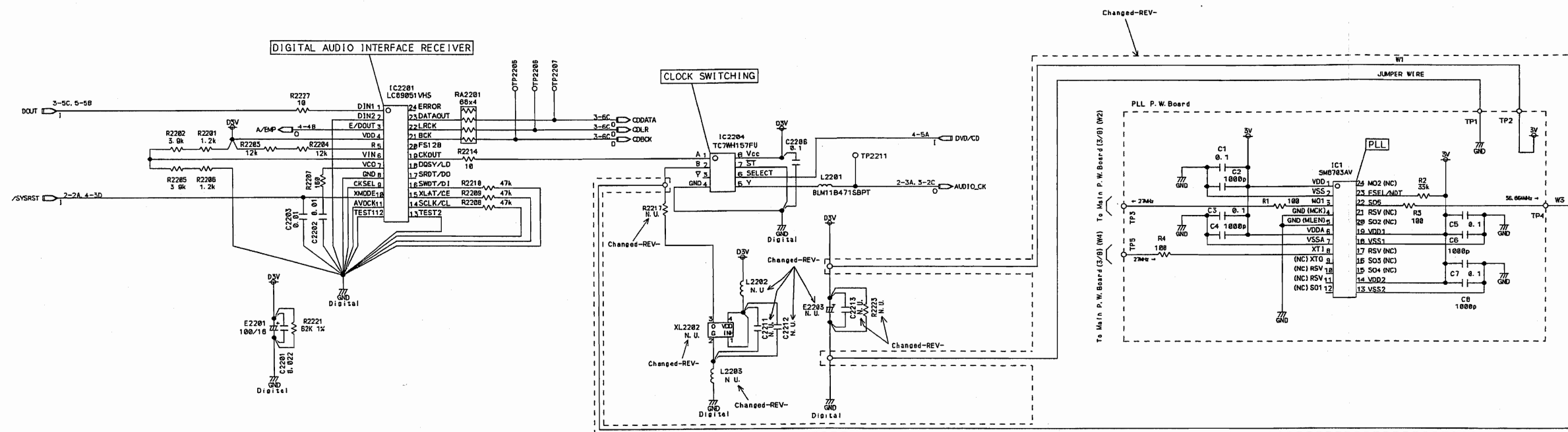
Dark Gray : Component Side Pattern  
Gray : Foil Side Pattern  
ダークグレー：部品取付側パターン  
グレー：半田付側パターン



Schematic Diagram (1/11) (Only Difference)

NOTE: Refer to the Service Manual-DHA-S680/DHA-S680P  
(Part No. 68E32364S01) for description not mentioned  
in this manual.

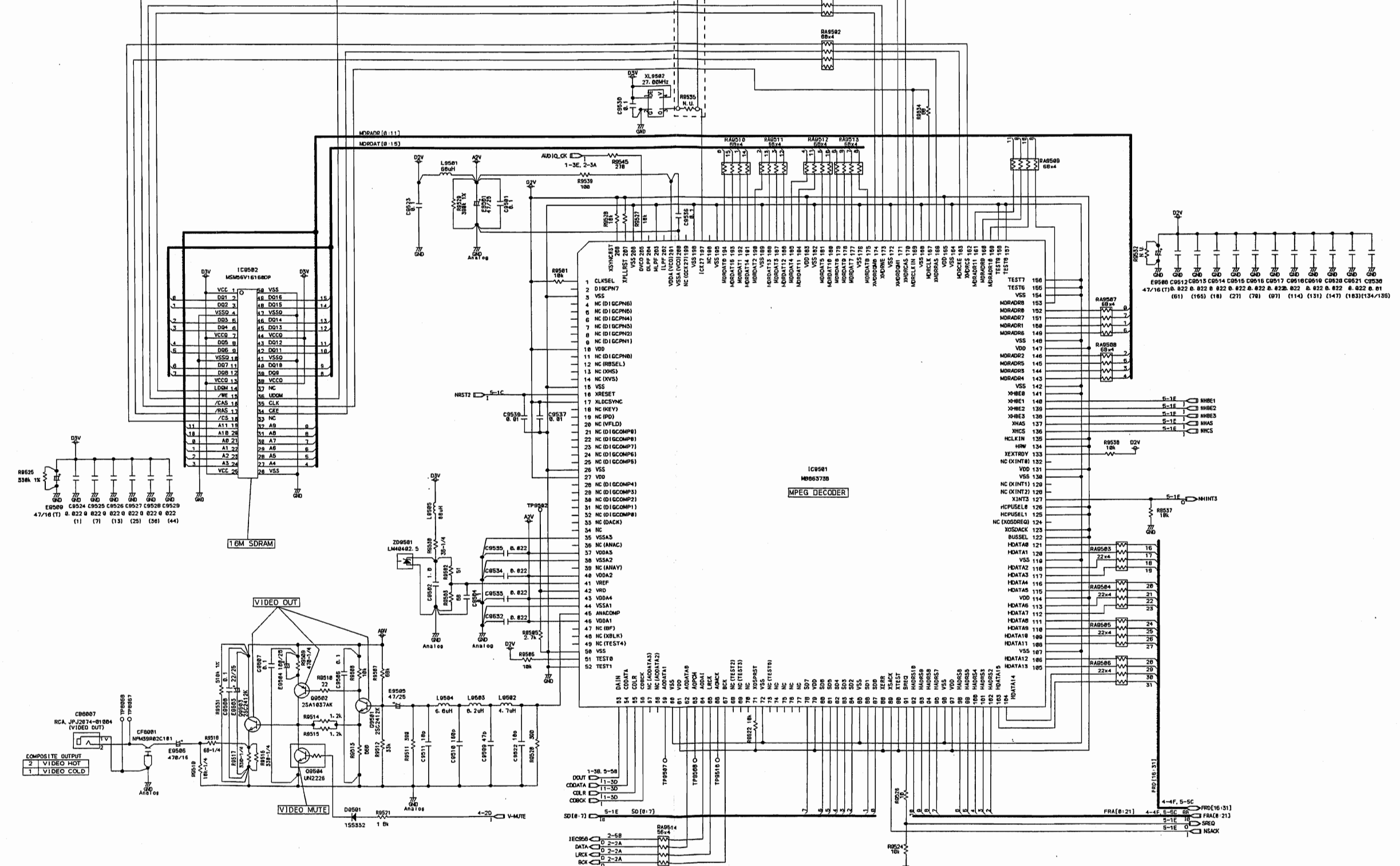
※記載されていない部分については、サービスマニュアル・DHA-S680/DHA-S680P  
(68E32364S01)を参照します。



Main P.W. Board (1/8)  
NOTE: N.U. is Not Used Parts.  
注) 回路中のN.U. 部品は未使用。

DHA-S680/DHA-S680P  
Schematic Diagram (3/11) (Only Difference)

To P.W. Board  
(Main P.W. Board (V/B))



Main P.W. Board (3/8)  
NOTE: N. U. is Not Used Parts.  
注) 回路中のN. U. 部品は未使用。

## Terminal Voltage of IC/TR (Only Difference)

NOTE : Refer to the Service Manual・DHA-S680/DHA-S680P  
(Part No. 68E32364S01) for description not  
mentioned in this manual.

## (PLL P.W. Board)

IC1							
1	3.3V	7	0V	13	0V	19	3.3V
2	0V	8	CLK	14	3.3V	20	NC
3	CLK	9	NC	15	NC	21	NC
4	0V	10	NC	16	NC	22	CLK
5	0V	11	NC	17	NC	23	3.3V
6	3.3V	12	NC	18	0V	24	NC

## (Main P.W. Board)

IC2201	
19	3.3Vp-p(PS)

IC2204	
1	3.3Vp-p(PS)
2	3.3Vp-p(PS)

## [Measuring Conditions]

- Power Supply Voltage : DC14.4V
- Measuring Meter : Digital Multi Voltmeter
- Measuring Point Reference : Between GND
- Measuring Conditions : TEST DISC play
  - CD : TCD-782
  - VIDEO CD : TVD-581A
  - DVD : TDV-540

## [端子電圧測定条件]

- 電源電圧 : DC14.4V
- 測定機器 : デジタル・マルチ・メーター
- 測定基準 : 対アース間
- 測定条件 : テストDisc再生
  - CD : TCD-782
  - VIDEO CD : TVD-581A
  - DVD : TDV-540

DHA-S680/DHA-S680P

Electrical Parts List (Only Difference)

NOTE : For the parts not mentioned, refer to the Service Manual for DHA-S680/DHA-S680P (Part No. 68E32364S01).

Model		DHA-S680/DHA-S680P		DHA-S680/DHA-S680P -REV-	
Symbol No.	Part No.	Description		Part No.	Description
<b>Main P.W.Board</b>					
<b>IC's</b>			<b>IC's</b>		
○	IC5004	51T35453Y28	MTP, MBM29DL800TA-90	51T35453Y47	MTP, MBM29DL800TA-90
●	IC5004	51T35453Y28	MTP, MBM29DL800TA-90	51T35453Y49	MTP, MBM29DL800TA-90
△	IC5004	51T35453Y28	MTP, MBM29DL800TA-90	51T35453Y48	MTP, MBM29DL800TA-90
	IC5301	51T35566Y31	MTP, D78F4216AGC	51T45267Y01	IC, D784216AGC-133-QT
	IC5309	51T55352W02	IC ,TC4W66F -SE2	—	—
	IC5601	51T35363Y01	MB86366PFV -QT	51T35363Y02	MB86366A -QT
<b>Diode</b>			<b>Diode</b>		
	D5306	48T94335F02	D10, MA153A-TX -CP	48T85357W01	D10, 1PS226 -CP
<b>Coils</b>			<b>Coils</b>		
	L2202	24T95456W23	FBI, BLM11B252SDPT-CP	—	—
	L2203	24T95456W23	FBI, BLM11B252SDPT-CP	—	—
<b>Crystal</b>			<b>Crystal</b>		
	XL2202	91T35621Y04	XTL, FX0-34FL 36.8-E5	—	—
<b>Capacitors</b>			<b>Capacitors</b>		
	C2211	08S65128F88	CAP, CER 104K-B1H -CP	—	—
	C2212	08T15349Y01	CAP, CER 105K-B1A -CP	—	—
	C2213	08S65128F88	CAP, CER 104K-B1H -CP	—	—
	C8013	08T15349Y01	CAP, CER 105K-B1A -CP	08S35350Y05	CAP, CER 105K-B1A -CP
	C9502	08T15349Y01	CAP, CER 105K-B1A -CP	08S35350Y05	CAP, CER 105K-B1A -CP
	E2203	23T25615Y43	CAP, ZT 22R-1V -E6	—	—
	E5327	—	—	23T35735Y02	CAP, MVY 101-1C -E6
<b>Resistors</b>			<b>Resistors</b>		
	R2217	06S45674W29	RES, RK 68RJ 1/10 -CP	—	—
	R2223	06S15593Y90	RES, RK 513F 1/10 -CP	—	—
	R5317	—	—	06S45674W65	RES, RK 222J 1/10 -CP
	R5327	06S45674W65	RES, RK 222J 1/10 -CP	—	—

NOTE : ○ : For North American Model Only, ● : For General Foreign Model Only,  
 △ : For Japanese Model Only, Others : Common.



DHA-S680/DHA-S680P

Model		DHA-S680/DHA-S680P		DHA-S680/DHA-S680P -REV-	
Symbol No.	Part No.	Description	Part No.	Description	
R5337	06S45674W81	RES, RK 103J 1/10 -CP	—	—	
R5366	—	—	06S45675W43	RES, RK JUMPER1/10-CP	
R5367	—	—	06S45675W43	RES, RK JUMPER1/10-CP	
R5393	06S45674W97	RES, RK 473J 1/10 -CP	—	—	
R9535	06S45674W49	RES, RK 471J 1/10 -CP	—	—	
<b>Connector</b>			<b>Connector</b>		
CB5301	09T85454W06	WTB, 53398-0690 -E9	—	—	
<b>DVD MECH P.W. Board</b>					
<b>IC</b>			<b>IC</b>		
IC10	51T35427Y45	MTP, M30800FCGP	51T35427Y54	MTP, M30800FCGP	
<b>Capacitors</b>			<b>Capacitors</b>		
C54	08T15349Y01	CAP, CER 105K-B1A -CP	08S35350Y05	CAP, CER 105K-B1A -CP	
C58	08T15349Y01	CAP, CER 105K-B1A -CP	08S35350Y05	CAP, CER 105K-B1A -CP	
C69	08T55487W02	CAP, CER. 224K-B1C -CP	08S35350Y03	CAP, CER 224K-B1C -CP	
<b>Resistors</b>			<b>Resistors</b>		
R9	06S45675W10	RES, RK 154J 1/10 -CP	06S15594Y02	RES, RK 154F 1/10 -CP	
R11	06S45674W93	RES, RK 333J 1/10 -CP	06S15593Y85	RES, RK 333F 1/10 -CP	
R12	06S45674W57	RES, RK 102J 1/10 -CP	06S45674W41	RES, RK 221J 1/10 -CP	
R13	06S45674W89	RES, RK 223J 1/10 -CP	06S15593Y81	RES, RK 223F 1/10 -CP	
R15	06S45674W93	RES, RK 333J 1/10 -CP	06S15593Y85	RES, RK 333F 1/10 -CP	
R16	06S45674W57	RES, RK 102J 1/10 -CP	06S45674W41	RES, RK 221J 1/10 -CP	
R17	06S45674W89	RES, RK 223J 1/10 -CP	06S15593Y81	RES, RK 223F 1/10 -CP	
<b>PLL P.W. Board</b>					
<b>IC</b>			<b>IC</b>		
IC1	—	—	51T55068Y01	SM8703AV-ET -SE6	
<b>Capacitors</b>			<b>Capacitors</b>		
C1	—	—	08S45676W85	CAP, CER 104K-B1C -CP	
C2	—	—	08S45677W60	CAP, CER 102J-CH1H-CP	
C3	—	—	08S45676W85	CAP, CER 104K-B1C -CP	
C4	—	—	08S45677W60	CAP, CER 102J-CH1H-CP	
C5	—	—	08S45676W85	CAP, CER 104K-B1C -CP	

# DHA-S680/DHA-S680P

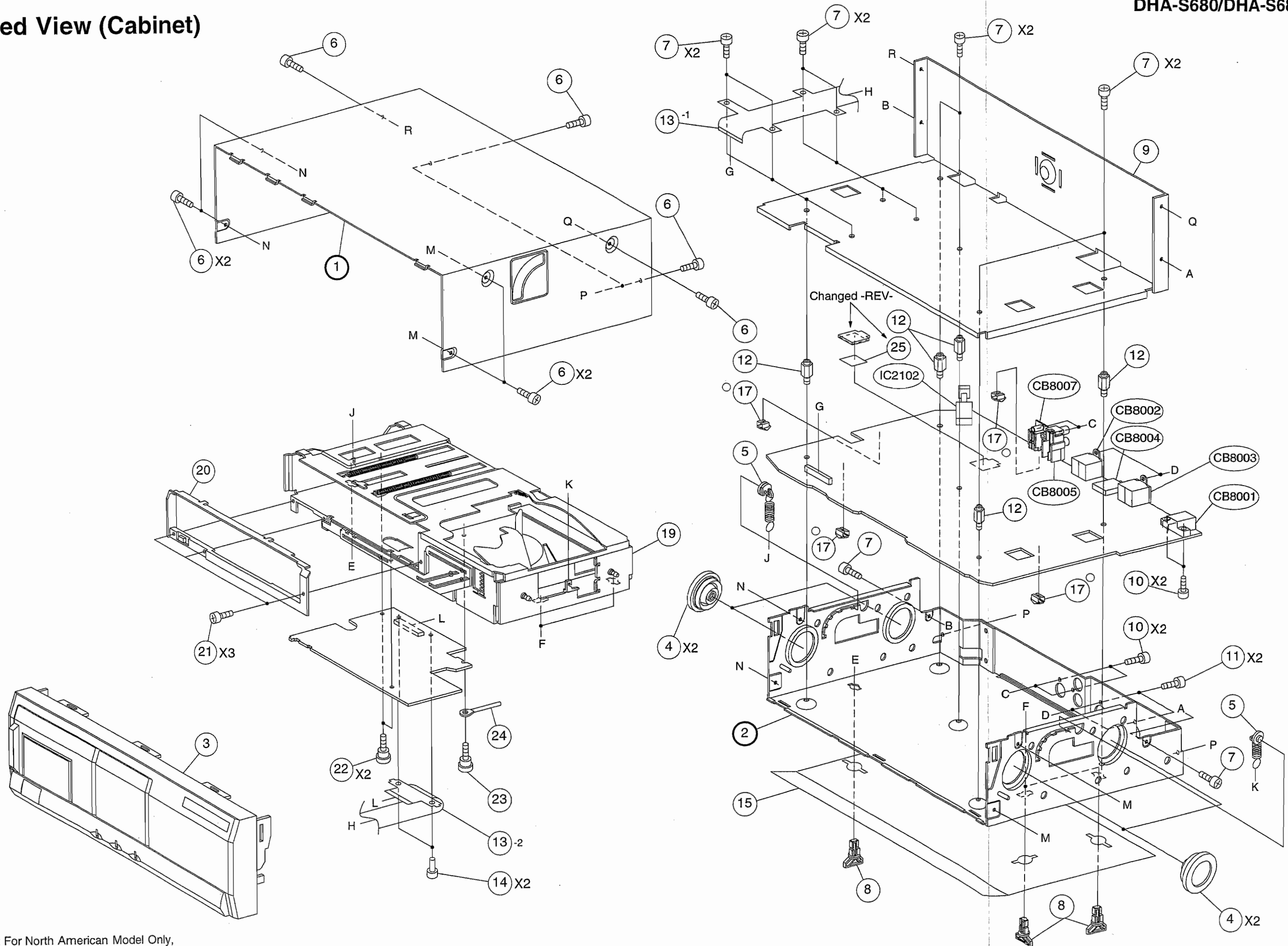
Model	DHA-S680/DHA-S680P		DHA-S680/DHA-S680P -REV-	
Symbol No.	Part No.	Description	Part No.	Description
C6	—	—	08S45677W60	CAP, CER 102J-CH1H-CP
C7	—	—	08S45676W85	CAP, CER 104K-B1C -CP
C8	—	—	08S45677W60	CAP, CER 102J-CH1H-CP
<b>Resistors</b>			<b>Resistors</b>	
R1	—	—	06S45674W33	RES, RK 101J 1/10 -CP
R2	—	—	06S45674W93	RES, RK 333J 1/10 -CP
R3	—	—	06S45674W33	RES, RK 101J 1/10 -CP
R4	—	—	06S45674W33	RES, RK 101J 1/10 -CP

## Cabinet Assembly Parts List (Only Difference)

NOTE : For the parts not mentioned, refer to the Service Manual for DHA-S680/DHA-S680P (Part No. 68E32364S01).

Model	DHA-S680/DHA-S680P			DHA-S680/DHA-S680P -REV-		
Symbol No.	Index	Part No.	Description	Index	Part No.	Description
25		—	—		14S50096Y37	INS, CVR 19X15XT0. 188

Exploded View (Cabinet)



NOTE : ○ : For North American Model Only,  
 Others : Common.  
 ALPI-00695 / DRUCK 25



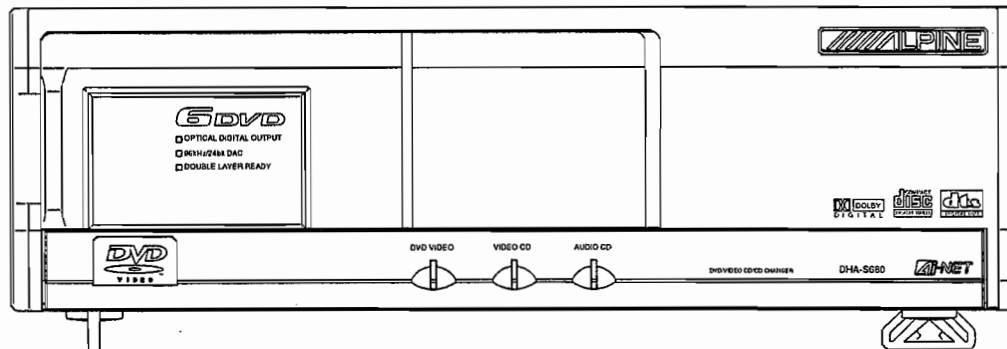
# ALPINE SERVICE MANUAL

## DVD/VIDEO CD/CD Changer



### - REVISED 2 -

- The model described in this manual is developed from Model DHA-S680/DHA-S680P -REV-.  
For information that is not mentioned in this service manual, refer to the Service Manual ·  
DHA-S680/DHA-S680P -REV- (Part No. 68E33190S01).
- 当モデルは、DHA-S680 -REV- がベースモデルとなっております。  
このマニュアルは相違点のみ記載しておりますので、詳細については、サービスマニュアル・  
DHA-S680 -REV- (68E33190S01)を参照願います。
- Product Issue "D" (North American Model Only)  
Serial Numbers After No. 11212001-B (General Foreign Model Only)  
Serial Numbers After No. 20114301-C (Japanese Model Only)



(DHA-S680)



# DHA-S680/DHA-S680P

## <Cautions for Safe Repair Work>



The following cautions will prevent accidents in the workplace and will ensure safe products.

- The symbols indicate caution is needed to prevent injuries and damage to property.



The symbols and their meanings follow.

	<b>Warning</b> If you ignore this symbol and handle the product incorrectly or unsafely, serious injury or death may result.
	<b>Caution</b> If you ignore this symbol and handle the product incorrectly or unsafely, injury or only material damage may result.



- The following symbols indicate two levels of cautions.



	When you see this symbol, you have to be very careful.
	When you see this symbol, you have to follow the instructions there.



### **Warning**



	<b>Do not look squarely into the laser light coming from the pickup.</b> You may lose your sight.		<b>Fuse Caution</b> Always use a designated fuse. Use of an incorrect fuse may result in a fire.
---	--	---	--


### **Caution**

	<b>Do not allow wiring to be caught in the screw/chassis.</b> If wiring is caught in the screw/chassis, it may cause a short circuit, resulting in a fire.		<b>Battery Caution</b> Use the designated battery. Confirm the correct polarity and seat of the battery. An incorrect battery or an improperly connected or seated battery may result in a fire.
---	---	---	---

	<b>High Temperature Caution</b> Touching the heat sink may cause severe burns.		<b>Designated Parts Caution</b> Look up the part list and ensure that only designated parts are used to prevent problems or accidents.
---	---	---	---

	<b>Reverse Power Supply Connections or Misconnections Caution</b> Reverse power supply connections or misconnections may cause ignition problems and smoke may result.		<b>Wiring Caution</b> Ensure that the wiring is correct when rewiring to prevent problems with ignition/breakdown.
---	---	---	---

	<b>Soldering Caution</b> Hot solder from solder splash may cause severe burns.		<b>Wear Gloves</b> Wear gloves to prevent electrical shocks or injury from the end face of the metal.
---	---	---	--



	<b>For the FDA laser standard, the following CAUTION label is stuck on each product.</b> Please be careful for repair.	<b>CAUTION-Laser radiation when open, DO NOT STARE INTO BEAM</b>
---	---	--

## <修理作業安全上の注意>



作業時の事故防止及び製品の安全確保のために、必ずお守りいただくことを説明致します。

●あなたや他の人々への危害や財産への損害を未然に防ぐために、絵表示をしています。



その表示と意味は次のようになっています。

 <b>警告</b>	この表示を無視して、誤った取り扱いをすると、人が死亡または重傷を負う可能性が想定される内容を示しています。
 <b>注意</b>	この表示を無視して、誤った取り扱いをすると、人が傷害を負う危険が想定される内容及び物的損害のみの発生が想定される内容を示しています。









●内容の種類により、次の表示で区分し、説明しています。

 この表示は、気を付けていただく内容です。	
 この表示は、必ず実行していただく内容です。	

### **警告**

 ピックアップのレーザー光を直視しない。 レーザー光を直視すると、失明する恐れがあります。	 定められたヒューズを使用する。 火災や故障の原因となるので、必ず指定されたヒューズを使用する。
---	--

### **注意**

 配線は挟み込まない。 ねじやシャーシに挟み込むとショートし、火災の原因になることがあります。	 電池は正しく使う。 指定の電池を使用して下さい。 極性を確認して入れる。間違っていると故障や火災の原因になることがあります。
 高温注意。 ヒートシンクに触るとやけどの原因になることがあります。	 部品は指定のものを使用する。 部品表に記載してある部品を使用する。 故障の原因になることがあります。
 電源の逆/誤接続をしない。 発煙・発火や故障の原因になります。	 配線はもとどおりにする。 違った引回しにより、故障・発火などの原因になります。
 半田付け時に注意。 半田付けする時には、飛び散りによりやけどなどの原因になることがあります。	 修理時には手袋を着用する。 金属端面によるけがや、感電を防止するため必ず手袋を着用してください。





# Parts Layout on P.W.Boards and Wiring Diagram (1/2)(Only Difference)

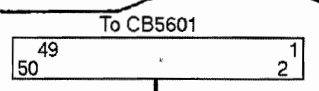
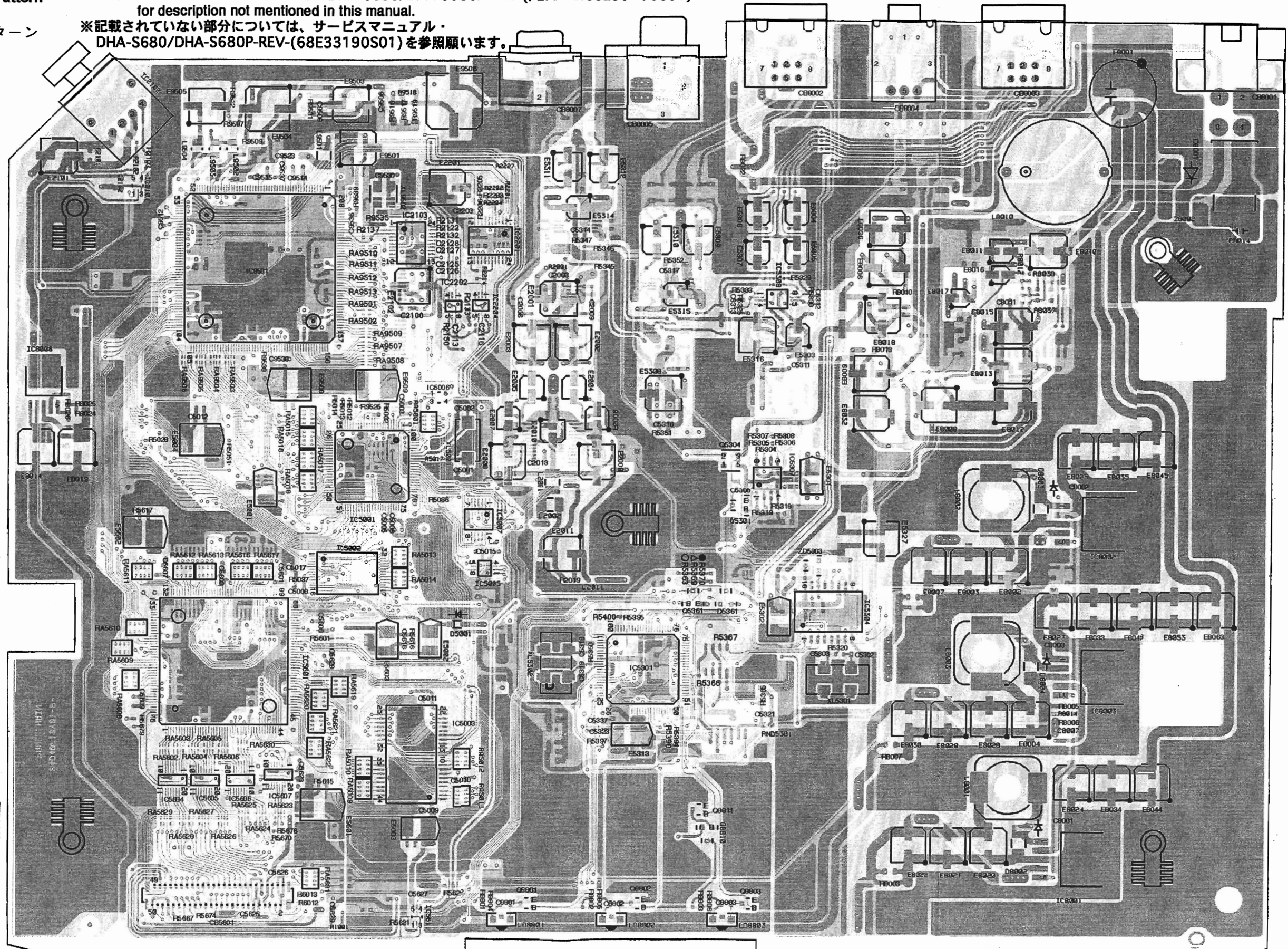
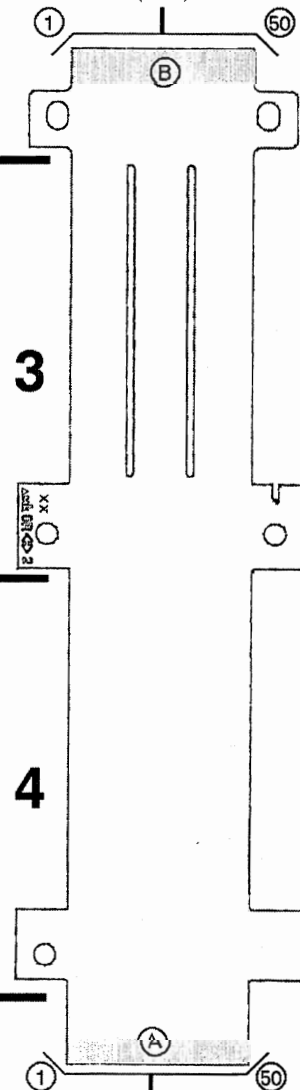
DHA-S680/DHA-S680P

Dark Gray : Component Side Pattern  
 Gray : Foil Side Pattern  
 ダークグレー：部品取付側パターン  
 グレー：半田付側パターン

NOTE : Refer to the Service Manual - DHA-S680/DHA-S680P-REV-(Part No.68E33190S01)  
 for description not mentioned in this manual.  
 ※記載されていない部分については、サービスマニュアル・  
 DHA-S680/DHA-S680P-REV-(68E33190S01)を参照願います。

FPC,S680 P.W.Board  
 (Foil Side View)

2 To DVD MECH P.W.Board  
 (CB6)



NOTE: ○:For North American Model Only,  
 ●:For General Foreign Model Only,  
 △:For Japanese Model Only,  
 Others:Common.

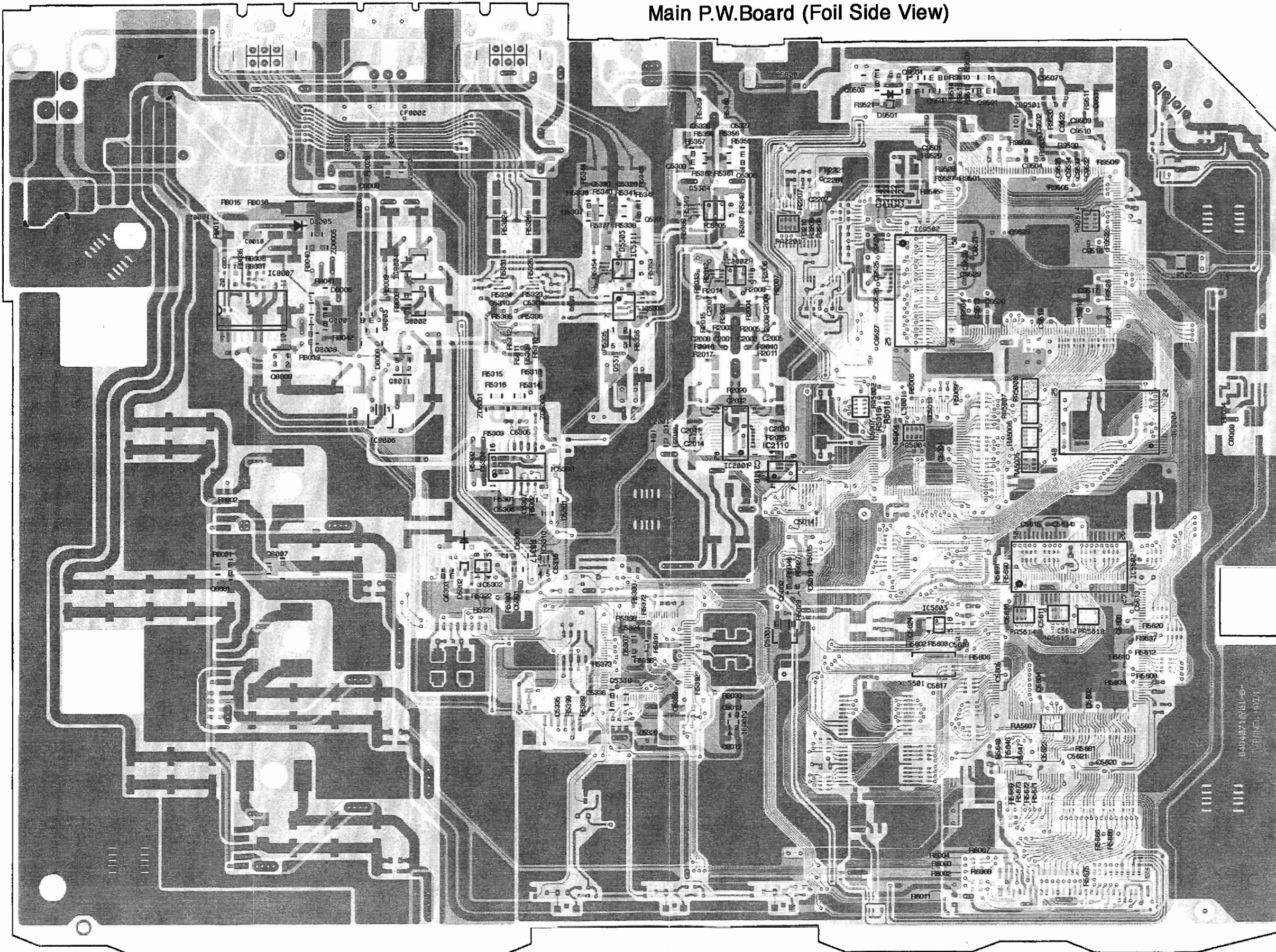
A | B | C | D | E | F | G

# Parts Layout on P.W.Boards and Wiring Diagram (2/2)(Only Difference)

Dark Gray : Component Side Pattern  
Gray : Foil Side Pattern  
ダークグレー：部品取付側パターン  
グレー：半田付側パターン

1  
2  
3  
4  
5

Main P.W.Board (Foil Side View)

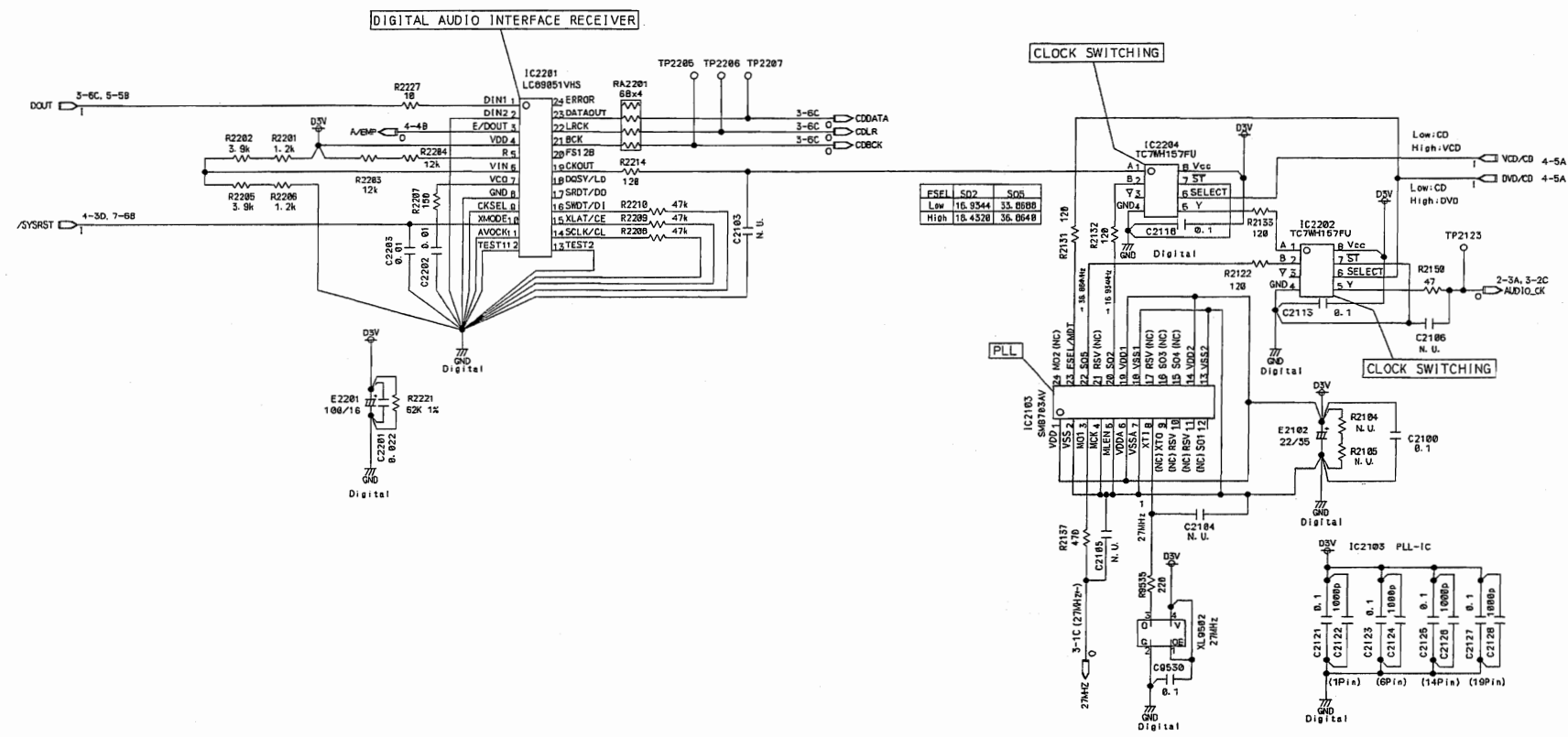


A | B | C | D | E | F | G

Schematic Diagram(1/8) (Only Difference)

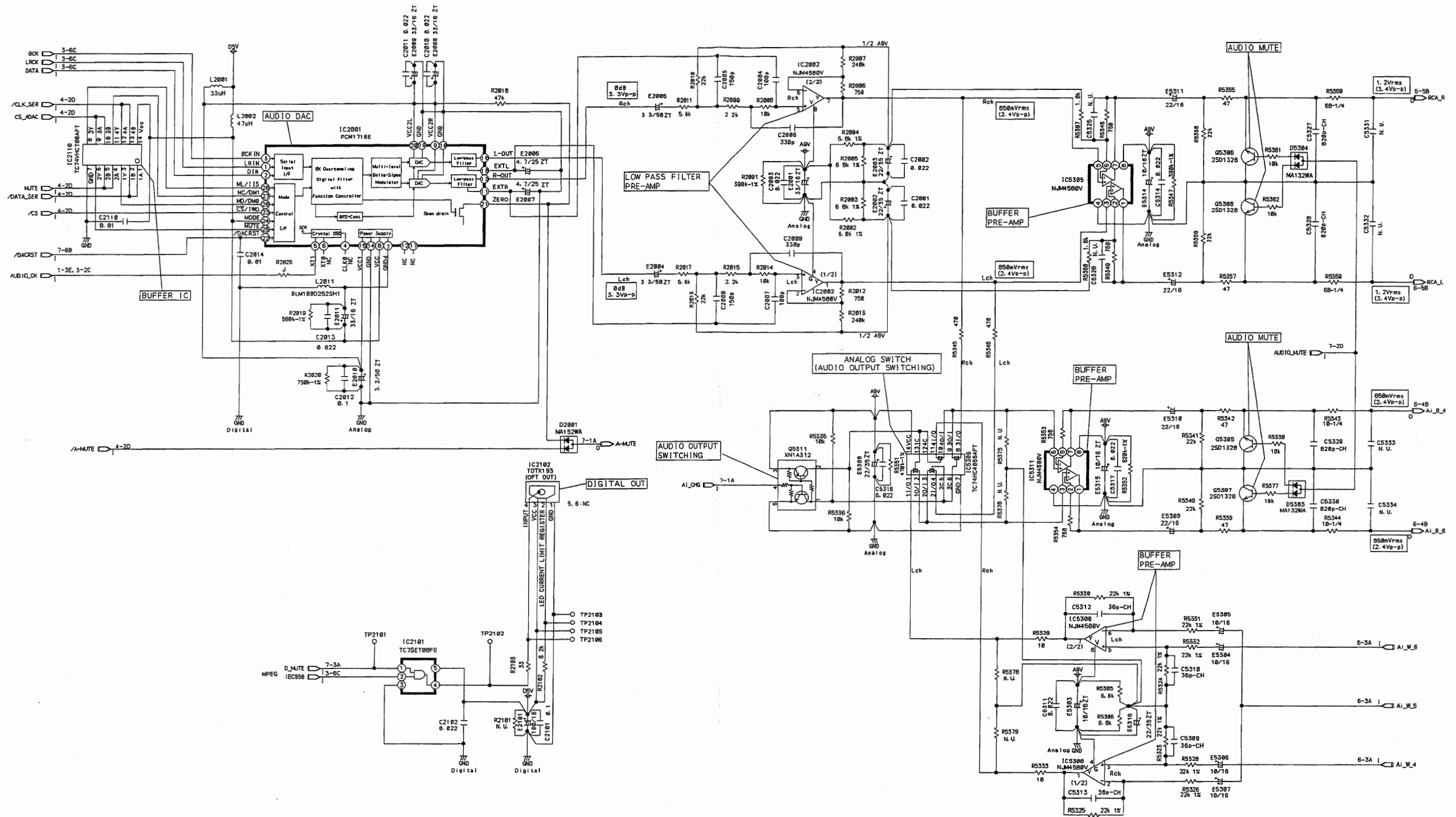
NOTE: Refer to the Service Manual DHA-S680/DHA-S680P-REV- (Part No. 68E33190S01) for description not mentioned in this manual.

※記載されていない部分については、サービスマニュアル・DHA-S680/DHA-S680P-REV- (68E33190S01)を参照します。



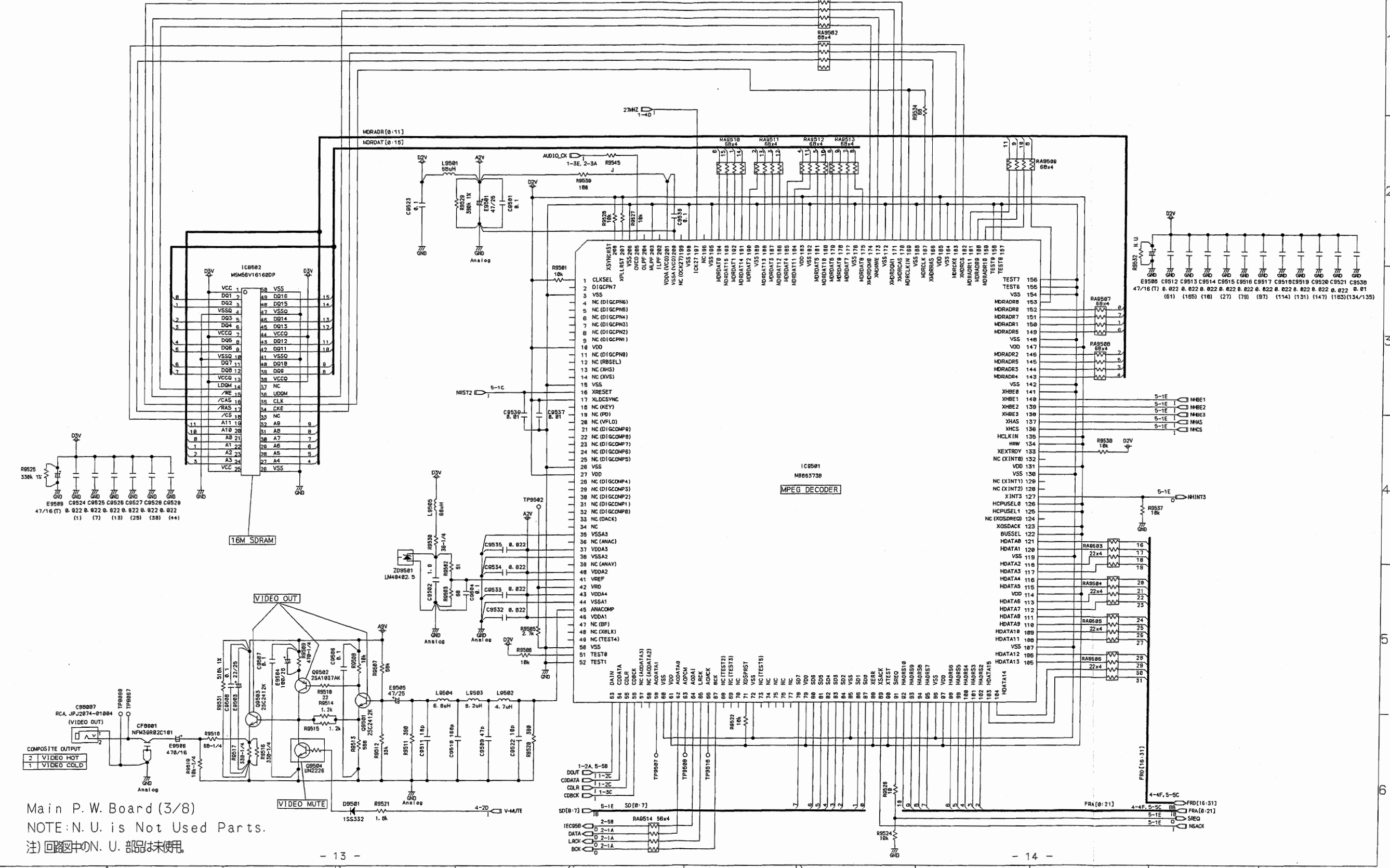
Main P. W. Board (1/8)  
 NOTE: N. U. is Not Used Parts.  
 注) 回路中のN. U. 部分は未使用。

DHA-S680/DHA-S680P  
Schematic Diagram (2/8) (Only Difference)



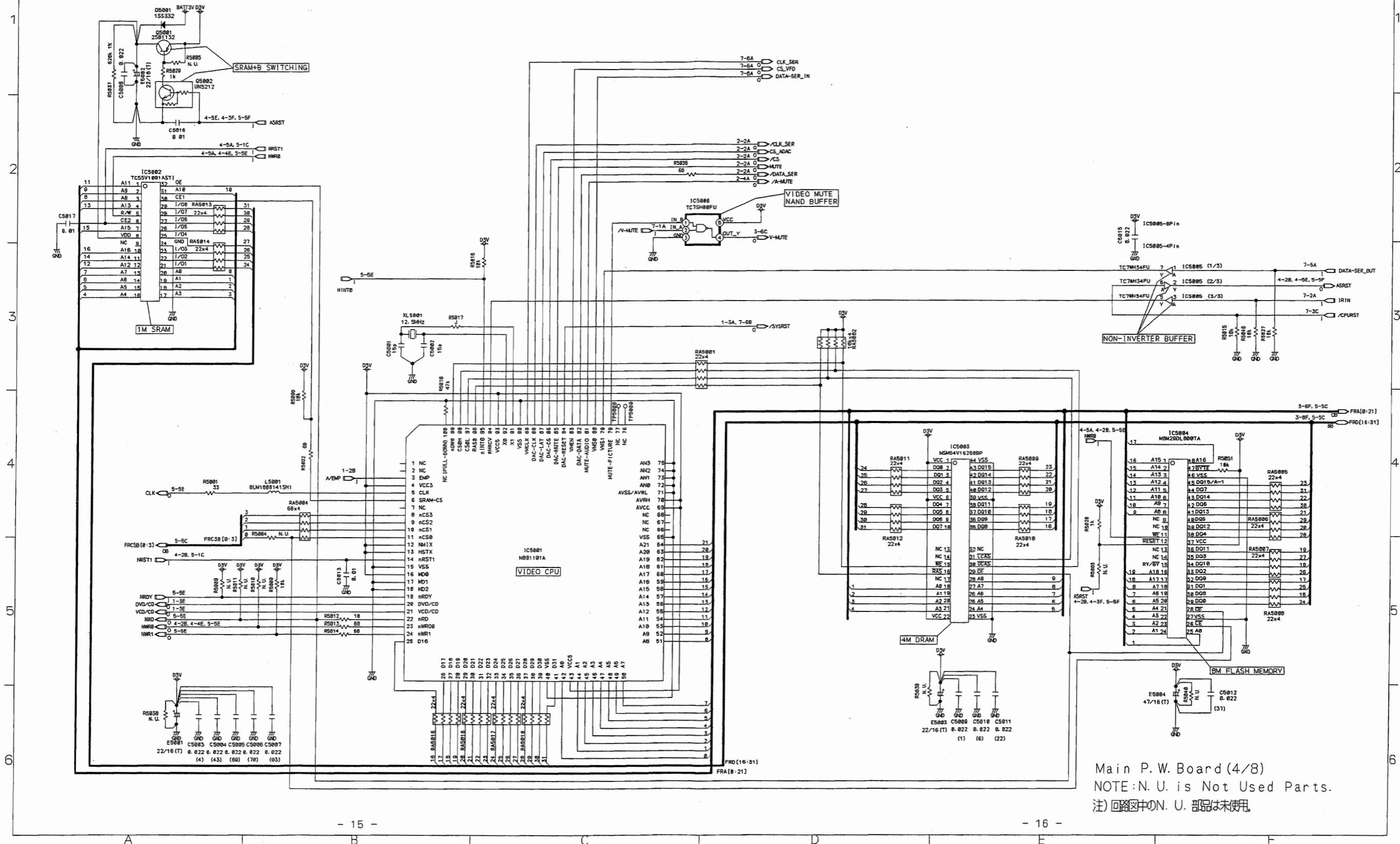
Main P.W. Board (2/8)  
NOTE: N. U. is Not Used Prats.  
注) 回路中のN. U. 部品は未使用。

Schematic Diagram (3/8) (Only Difference)



Main P. W. Board (3/8)  
 NOTE: N. U. is Not Used Parts.  
 注) 回路中のN. U. 部品は未使用。

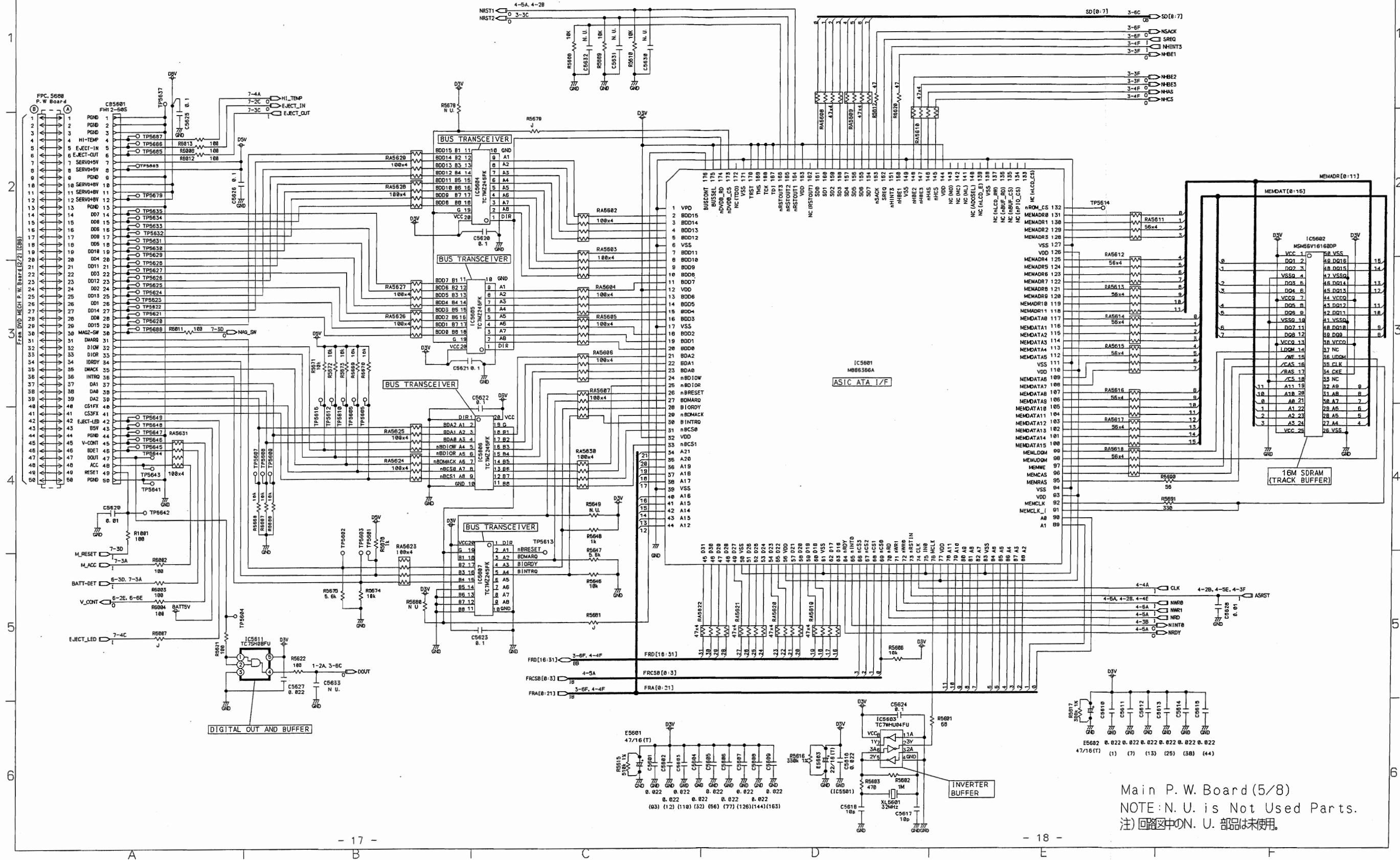
DHA-S680/DHA-S680P  
Schematic Diagram(4/8) (Only Difference)



Main P.W. Board(4/8)  
NOTE:N.U. is Not Used Parts.  
注)回路中のN.U.部品は未使用。

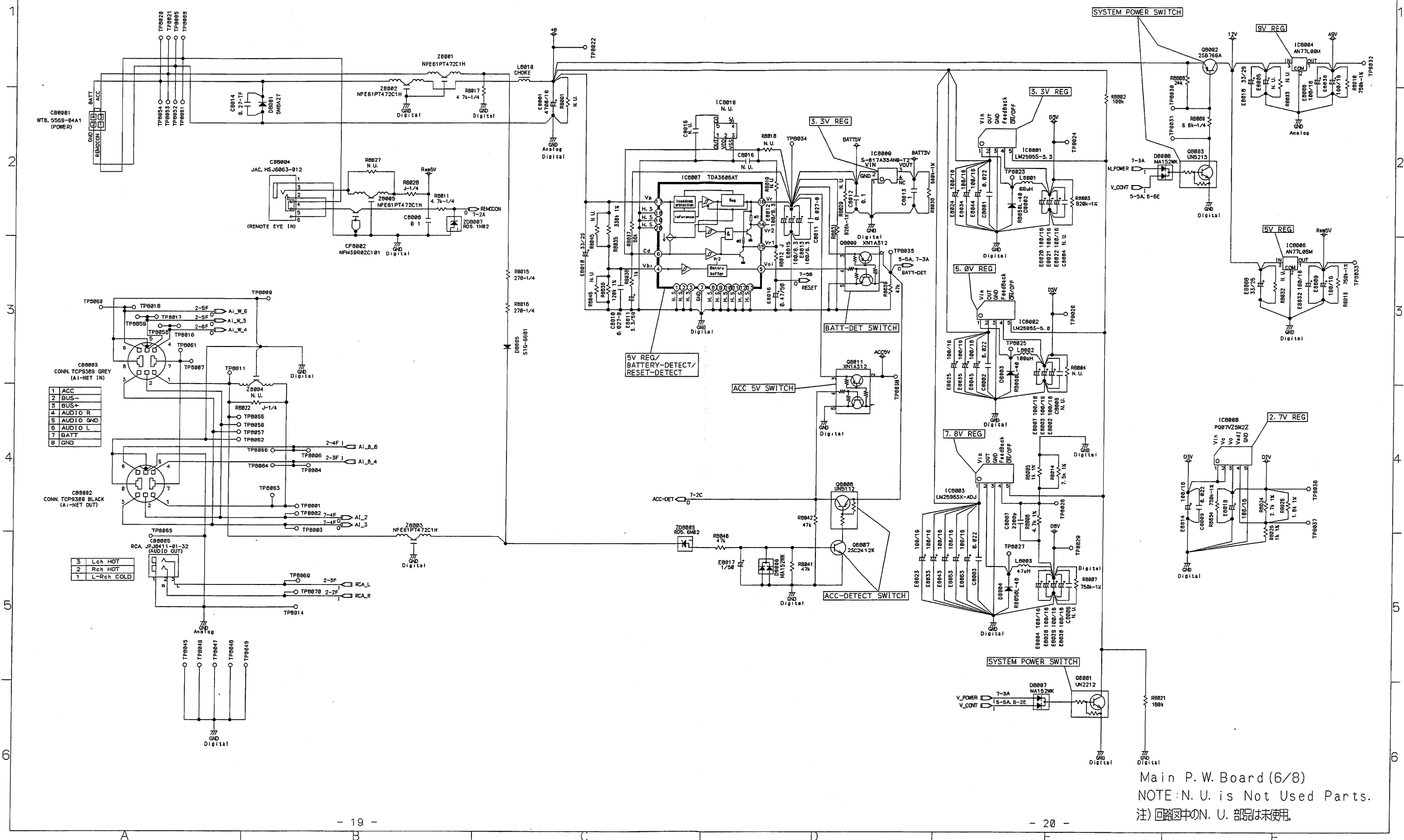
Schematic Diagram (5/8) (Only Difference)

DHA-S680/DHA-S680P



Main P. W. Board (5/8)  
 NOTE: N. U. is Not Used Parts.  
 注) 回路中のN. U. 部品は未使用。

DHA-S680/DHA-S680P  
Schematic Diagram (6/8) (Only Difference)



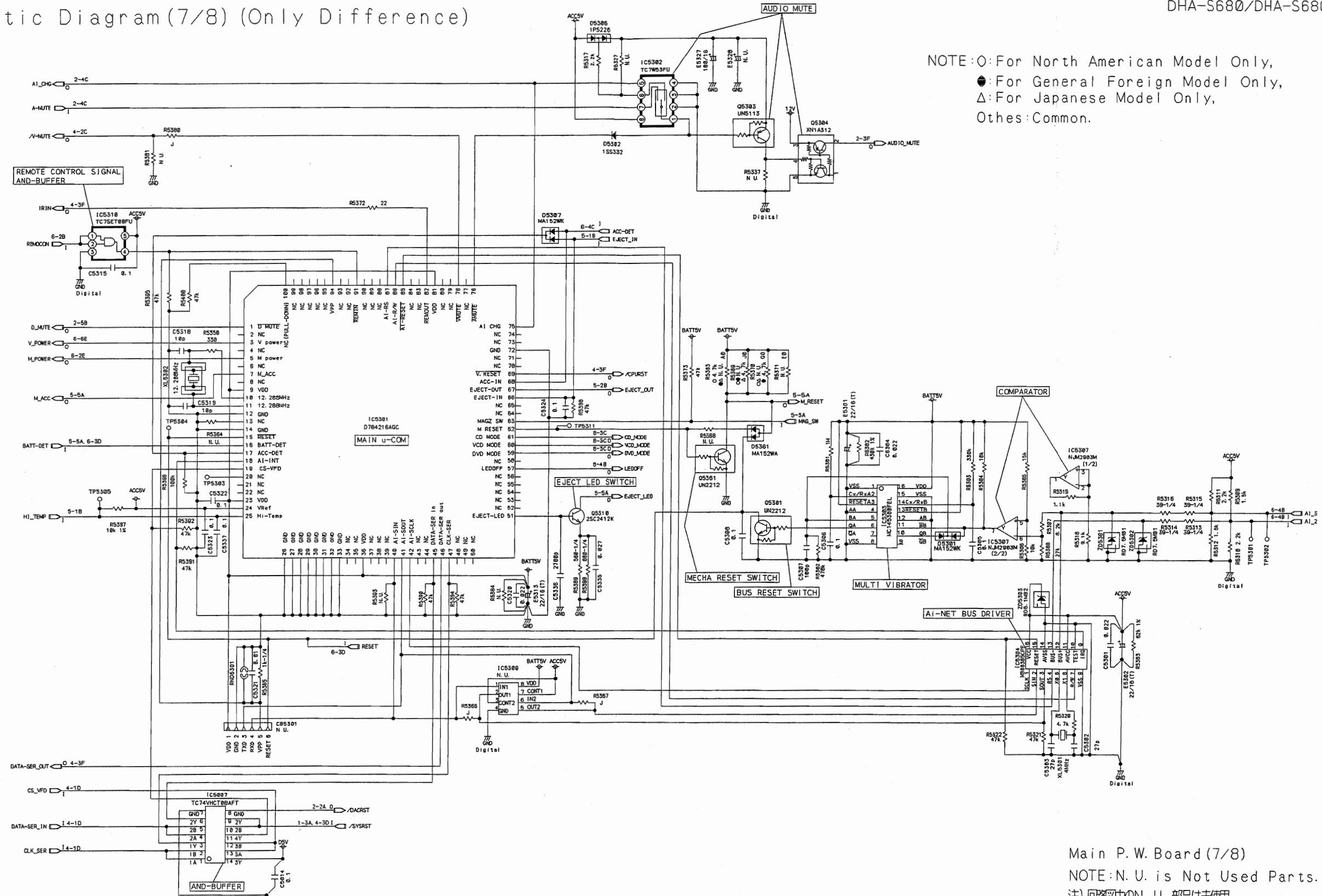
Main P.W. Board (6/8)  
NOTE: N. U. is Not Used Parts.  
注) 回路图中的N. U. 部品は未使用。



# Schematic Diagram (7/8) (Only Difference)

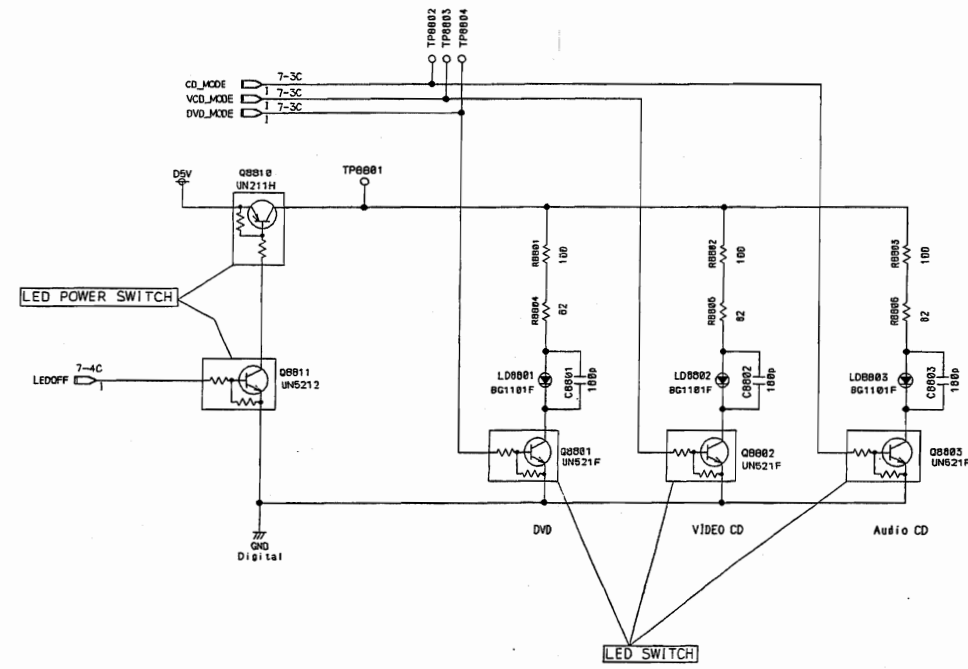
DHA-S680/DHA-S680P

NOTE: ○ For North American Model Only,  
● For General Foreign Model Only,  
△ For Japanese Model Only,  
Others: Common.



Main P.W. Board (7/8)  
NOTE: N. U. is Not Used Parts.  
注) 回路中のN. U. 部品は未使用。

DHA-S680/DHA-S680P  
Schematic Diagram(8/8) (Only Difference)



Main P.W. Board (8/8)

## Terminal Voltage of IC/TR (Only Difference)

NOTE : Refer to the Service Manual·DHA-S680/DHA-S680P -REV-  
(Part No. 68E33190S01) for description not mentioned in this  
manual.

注記 : 記載されていない部分については、サービスマニュアル・DHA-S680  
/DHA-S680P -REV- (68E33190S01)を参照願います。

## (Main P.W.Board)

IC2103			
1	3.3V	13	0V
2	0V	14	3.3V
3	CLK	15	NC
4	0V	16	NC
5	0V	17	NC
6	3.3V	18	0V
7	0V	19	3.3V
8	CLK	20	CLK
9	NC	21	NC
10	NC	22	CLK
11	NC	23	3.3V
12	NC	24	NC

IC2110			
1	3.3V <sub>p-p</sub> (PS)	8	5V <sub>p-p</sub> (PS)
2	3.3V <sub>p-p</sub> (PS)	9	3.3V <sub>p-p</sub> (PS)
3	5V <sub>p-p</sub> (PS)	10	3.3V <sub>p-p</sub> (PS)
4	3.3V <sub>p-p</sub> (PS)	11	5V <sub>p-p</sub> (PS)
5	3.3V <sub>p-p</sub> (PS)	12	3.3V <sub>p-p</sub> (PS)
6	5V <sub>p-p</sub> (PS)	13	3.3V <sub>p-p</sub> (PS)
7	0V	14	5V

IC2202	
1	3.3V <sub>p-p</sub> (PS)
2	3.3V <sub>p-p</sub> (PS)
3	NC
4	0V
5	3.3V <sub>p-p</sub> (PS)
6	3.3V <sub>p-p</sub> (PS)
7	0V
8	3.3V

IC5001	
21	3.3V <sub>p-p</sub> (PS)

IC5007	
8	5V <sub>p-p</sub> (PS)
9	3.3V <sub>p-p</sub> (PS)
10	3.3V <sub>p-p</sub> (PS)

## [Measuring Conditions]

- Power Supply Voltage : DC14.4V
- Measuring Meter : Digital Multi Voltmeter
- Measuring Point Reference : Between GND
- Measuring Conditions : TEST DISC play
  - CD : TCD-782
  - VIDEO CD : TVD-581A
  - DVD : TDV-540

## [端子電圧測定条件]

- 電源電圧 : DC14.4V
- 測定機器 : デジタル・マルチ・メータ
- 測定基準 : 対アース間
- 測定条件 : テストDISC再生
  - CD : TCD-782
  - VIDEO CD : TVD-581A
  - DVD : TDV-540

## Description of IC Terminal(Only Difference)

NOTE : Refer to the Service Manual·DHA-S680/DHA-S680P -REV-  
(Part No. 68E33190S01) for description not mentioned in this  
manual.

注記 : 記載されていない部分については、サービスマニュアル·DHA-S680  
/DHA-S680P -REV- (68E33190S01)を参照願います。

## MB91101A : IC5001

No.	Symbol	I/O	Terminal Description
20	DVD/CD	0	Audio signal output terminal for master clock switching. (DVD=H, CD=L)
21	VCD/CD	0	Audio signal output terminal for master clock switching. (VCD=H, CD=L)
100	NC (PULL-DOWN)	-	Pull-down connect terminal.

## D784216AGC : IC5301

No.	Symbol	I/O	Terminal Description
100	NC (PULL-DOWN)	-	Pull-down connect terminal.

## MB91101A : IC5001

No.	Symbol	I/O	Terminal Description
20	DVD/CD	0	Audio信号のマスター・クロック切り換え信号出力端子。 (DVD=H, CD=L)
21	VCD/CD	0	Audio信号のマスター・クロック切り換え信号出力端子。 (VCD=H, CD=L)
100	NC (PULL-DOWN)	-	Pull-down接続端子。

## D784216AGC : IC5301

No.	Symbol	I/O	Terminal Description
100	NC (PULL-DOWN)	-	Pull-down接続端子。

# Electrical Parts List (Only Difference)

NOTE : For the Parts not mentioned, refer to the Service Manual for  
 DHA-S680/DHA-S680P -REV- (Part No. 68E33190S01)  
 注記 : 記載されていない部品については、サービスマニュアル  
 DHA-S680/DHA-S680P -REV- (68E33190S01)を参照願います。

Capacitor :  $\mu$ F=microfarads,pF=picofarads

Abbreviations		
RES.= Resistor	CAP.= Capacitor	
C.F.= Carbon Film	ELY.= Electrolytic	
M.F.= Metal Film	CER.= Ceramic	
M.O.= Metal OxideFilm	MYL.= Mylar	
M.P.= Metal Plate	TAN.= Tantalum	
TR. = Transistor	POLY.= Polystyrol	
TRANS.= Transformer	PP. = Polypropylene	
CP. = Chip	PLT.= Polyethylene	
	PF. = Polyester Film	
Symbol No.	Part No.	Description
<b>Main P.W. Board</b>		
<b>IC's</b>		
IC2001	51T25002Y01	PCM1716E-2K -SE6
IC2002	51T25576W07	NJM4580V-TE2 -SE2
IC2101	51T25183Y02	TC7SET08FU-EL -CP
IC2103	51T55068Y01	SM8703AV-ET -SE6
IC2110	51T15194Y01	TC74VHCT08AFT-EL-SE5
IC2201	51T15273Y02	LC89051VHS-TLM -SE6
IC2202	51T35347Y01	TC7WH157FU-TE12L-SE1
IC2204	51T35347Y01	TC7WH157FU-TE12L-SE1
IC5001	51T35209Y01	MB91101A -QT
IC5002	51T15669Y01	TC55V1001ASTI-EL-SE9
IC5003	51T15608Y01	MSM54V16258BP -ST
○ IC5004	51T35453Y47	MTP, MBM29DL800TA-90
● IC5004	51T35453Y49	MTP, MBM29DL800TA-90
△ IC5004	51T35453Y48	MTP, MBM29DL800TA-90
IC5005	51T25069Y01	TC7WH34FU-TE12L -SE1
IC5006	51T45605Y01	TC7SH00FU-TE85L -CP
IC5007	51T15194Y01	TC74VHCT08AFT-EL-SE5
IC5301	51T45267Y01	IC, D784216AGC-133-QT
IC5302	51T25404Y02	TC7W53FU-TE12L -SE1
IC5303	51T25370W01	IC, MC14538BFEL -SE6
IC5304	51T55070W05	MB88385CPF-ER -SE9
IC5305	51T25576W07	NJM4580V-TE2 -SE2
IC5306	51T15456Y01	TC74HC4066AFT-EL-SE5
IC5307	51T93332F01	IC, NJM2903M-TE3 -SE2
IC5308	51T25576W07	NJM4580V-TE2 -SE2
IC5310	51T25183Y02	TC7SET08FU-EL -CP
IC5311	51T25576W07	NJM4580V-TE2 -SE2
IC5601	51T35363Y02	MB86366A -QT
IC5602	51T45052Y01	MSM56V16160DP -ST
IC5603	51T35445Y01	TC7WHU04FU-TE12L-SE1
IC5604	51T35385Y01	TC7M2245FK-EL -SE2
IC5605	51T35385Y01	TC7M2245FK-EL -SE2
IC5606	51T35385Y01	TC7M2245FK-EL -SE2

Symbol No.	Part No.	Description
IC5607	51T35385Y01	TC7M2245FK-EL -SE2
IC5611	51T15185Y01	TC7SH08FU-TE85L -CP
IC8001	51T45599Y01	LM2595S-3.3 -NEA
IC8002	51T45599Y02	LM2595S-5.0 -NEA
IC8003	51T15198Y10	LM2596SX-ADJ -NEA
IC8004	51T75197W09	AN77L09M-TX -NE2
IC8006	51T75197W05	AN77L05M-TX -NE2
IC8007	51T95193W01	TDA3606AT -SE9
IC8008	51T35415Y01	PO07VZ5M2Z -NE5
IC8009	51T35410Y01	S-817A33ANB-T2 -CP
IC9501	51T35208Y02	MB86373B -QT
IC9502	51T45052Y01	MSM56V16160DP -ST
<b>Transistors</b>		
Q5001	48T55462Y01	TR, 2SB1132-QR-100-E2
Q5002	48T45251W03	TR, UN5212 22-22 -CP
Q5301	48T64222F02	TR, UN2212 22-22 -TX
Q5303	48T45251W51	TR, UN5113 47-47 -CP
Q5304	48T45594W12	TR, XN1A312 -TX-CP
Q5305	48T63788F01	TR, CP, 2SD1328 -TX
Q5306	48T63788F01	TR, CP, 2SD1328 -TX
Q5307	48T63788F01	TR, CP, 2SD1328 -TX
Q5308	48T63788F01	TR, CP, 2SD1328 -TX
Q5310	48T63417F01	TR, CP, 2SC2412K -96
Q5311	48T45594W12	TR, XN1A312 -TX-CP
Q5361	48T64222F02	TR, UN2212 22-22 -TX
Q8001	48T64222F02	TR, UN2212 22-22 -TX
Q8002	48T73022F01	TR, 2SB766A
Q8003	48T45251W01	TR, UN5213 47-47 -CP
Q8007	48T63417F01	TR, CP, 2SC2412K -96
Q8008	48T45251W53	TR, UN5112 22-22 -CP
Q8009	48T45594W12	TR, XN1A312 -TX-CP
Q8011	48T45594W12	TR, XN1A312 -TX-CP
Q8801	48T45251W09	TR, UN521F-TX -CP
Q8802	48T45251W09	TR, UN521F-TX -CP
Q8803	48T45251W09	TR, UN521F-TX -CP
Q8810	48T64221F13	TR, UN211H-TX -CP
Q8811	48T45251W03	TR, UN5212 22-22 -CP
Q9501	48T63417F01	TR, CP, 2SC2412K -96
Q9502	48T63420F01	TR, 2SA1037AK-146 -CP
Q9503	48T63417F01	TR, CP, 2SC2412K -96
Q9504	48T25055Y02	TR, UN2226-TX -CP

NOTE : ○ : For North American Model Only, ● : For General Foreign Model Only,  
 △ : For Japanese Model Only, Others : Common.

DHA-S680/DHA-S680P

Symbol No.	Part No.	Description
<b>Diodes</b>		
D2001	48T25651W01	D10, CP MA152WA
D5001	48T16617W01	D10, 1SS332-TT11 -CP
D5301	48T25651W02	D10, MA152WK-TX -CP
D5302	48T16617W01	D10, 1SS332-TT11 -CP
D5303	48T15706Y01	D10, MA132WA-TX -CP
D5304	48T15706Y01	D10, MA132WA-TX -CP
D5306	48T85357W01	D10, 1PS226 -CP
D5307	48T25651W02	D10, MA152WK-TX -CP
D5361	48T25651W01	D10, CP MA152WA
D8001	48T35156Y01	VST, SM6A27 -EA
D8002	48T45286Y01	D10, SHT RB050L-40-E1
D8003	48T45286Y01	D10, SHT RB050L-40-E1
D8004	48T45286Y01	D10, SHT RB050L-40-E1
D8005	48T25593Y01	D10, S1G-6601 -E1
D8006	48T25651W02	D10, MA152WK-TX -CP
D8007	48T25651W02	D10, MA152WK-TX -CP
D8008	48T25651W02	D10, MA152WK-TX -CP
D9501	48T16617W01	D10, 1SS332-TT11 -CP
ZD5301	48T62934F30	D10, ZEN. RD7. 5MB1 -CP
ZD5302	48T62934F30	D10, ZEN. RD7. 5MB1 -CP
ZD5303	48T62934F19	D10, ZEN. RD5. 1MB2 -CP
ZD8005	48T62934F22	D10, ZEN. RD5. 6MB2 -CP
ZD8007	48T62934F19	D10, ZEN. RD5. 1MB2 -CP
ZD9501	48T75035W01	D10, ZEN LM40402. 5-CP
<b>Coils</b>		
L2001	24T75195W44	IND, LFC32 33RJ -CP
L2002	24T75195W46	IND, LFC32 47RJ -CP
L2011	24T95456W23	FBI, BLM18BD252SH1-CP
L5001	24T95456W04	FBI, BLM18BB141SH1-CP
L8001	24T25578Y11	IND, D124C 68RM -EA
L8002	24T25578Y13	IND, D124C 101M -EA
L8003	24T25578Y10	IND, D124C 47RM -EA
L8010	25T45638Y01	CHOKE, ALD-16-3 +
L9501	24T15758Y12	IND, NLF C 68RK -CP
L9502	24T35246Y10	IND, LEM2520 4R7J -CP
L9503	24T35246Y13	IND, LEM2520 8R2J -CP
L9504	24T35246Y12	IND, LEM2520 6R8J -CP
L9505	24T15758Y12	IND, NLF C 68RK -CP
<b>Filters</b>		
CF8001	91T95452W03	EMI, NFM39R02C101 -CP
CF8002	91T95452W03	EMI, NFM39R02C101 -CP
Z8001	91T75198W05	EMI, NFE61PT472C1H-E1

Symbol No.	Part No.	Description
Z8002	91T75198W05	EMI, NFE61PT472C1H-E1
Z8003	91T75198W05	EMI, NFE61PT472C1H-E1
Z8005	91T75198W05	EMI, NFE61PT472C1H-E1
<b>Crystals</b>		
XL5001	91T25038Y10	XTL, CX-11F 12.50M-E5
XL5301	91T45433W12	XTL, CP12A 4.000M -E9
XL5302	91T95084W02	XTL, CS20 12.288M -E9
XL5601	91T25038Y12	XTL, CX-11F 32.00M-E5
XL9502	91T35539Y01	XTL, 2720T 27.000M-E2
<b>LED's</b>		
LD8801	48T25454Y01	LED, GRN BG1101F -CP
LD8802	48T25454Y01	LED, GRN BG1101F -CP
LD8803	48T25454Y01	LED, GRN BG1101F -CP
<b>Capacitors</b>		
C2001	08S65128F78	CAP, CER. 223K-B1H -CP
C2002	08S65128F78	CAP, CER. 223K-B1H -CP
C2003	08S65128F78	CAP, CER. 223K-B1H -CP
C2004	08S82122F37	CAP, CER. 101J-CH1H-CP
C2005	08S82122F41	CAP, CER. 151J-CH1H-CP
C2006	08S82122F49	CAP, CER. 331J-CH1H-CP
C2007	08S82122F37	CAP, CER. 101J-CH1H-CP
C2008	08S82122F41	CAP, CER. 151J-CH1H-CP
C2009	08S82122F49	CAP, CER. 331J-CH1H-CP
C2010	08S65128F78	CAP, CER. 223K-B1H -CP
C2011	08S65128F78	CAP, CER. 223K-B1H -CP
C2012	08S65128F88	CAP, CER 104K-B1H -CP
C2013	08S65128F78	CAP, CER. 223K-B1H -CP
C2014	08S65128F69	CAP, CER. 103K-B1H -CP
C2100	08S45676W85	CAP, CER 104K-B1C -CP
C2101	08S65128F88	CAP, CER 104K-B1H -CP
C2102	08S65128F78	CAP, CER. 223K-B1H -CP
C2110	08S65128F69	CAP, CER. 103K-B1H -CP
C2113	08S45676W85	CAP, CER 104K-B1C -CP
C2116	08S45676W85	CAP, CER 104K-B1C -CP
C2121	08S45676W85	CAP, CER 104K-B1C -CP
C2122	08S45677W60	CAP, CER 102J-CH1H-CP
C2123	08S45676W85	CAP, CER 104K-B1C -CP
C2124	08S45677W60	CAP, CER 102J-CH1H-CP
C2125	08S45676W85	CAP, CER 104K-B1C -CP
C2126	08S45677W60	CAP, CER 102J-CH1H-CP
C2127	08S45676W85	CAP, CER 104K-B1C -CP

DHA-S680/DHA-S680P

Symbol No.	Part No.	Description
C2128	08S45677W60	CAP, CER 102J-CH1H-CP
C2201	08S65128F78	CAP, CER. 223K-B1H -CP
C2202	08S65128F69	CAP, CER. 103K-B1H -CP
C2203	08S65128F69	CAP, CER. 103K-B1H -CP
C5001	08S82122F17	CAP, CER. 15RJ-CH1H-CP
C5002	08S82122F17	CAP, CER. 15RJ-CH1H-CP
C5003	08S65128F78	CAP, CER. 223K-B1H -CP
C5004	08S65128F78	CAP, CER. 223K-B1H -CP
C5005	08S65128F78	CAP, CER. 223K-B1H -CP
C5006	08S65128F78	CAP, CER. 223K-B1H -CP
C5007	08S65128F78	CAP, CER. 223K-B1H -CP
C5008	08S65128F78	CAP, CER. 223K-B1H -CP
C5009	08S65128F78	CAP, CER. 223K-B1H -CP
C5010	08S65128F78	CAP, CER. 223K-B1H -CP
C5011	08S65128F78	CAP, CER. 223K-B1H -CP
C5012	08S65128F78	CAP, CER. 223K-B1H -CP
C5013	08S65128F69	CAP, CER. 103K-B1H -CP
C5014	08S65128F88	CAP, CER. 104K-B1H -CP
C5015	08S65128F78	CAP, CER. 223K-B1H -CP
C5016	08S65128F69	CAP, CER. 103K-B1H -CP
C5017	08S65128F69	CAP, CER. 103K-B1H -CP
C5301	08S65128F78	CAP, CER. 223K-B1H -CP
C5302	08S82122F23	CAP, CER. 27RJ-CH1H-CP
C5303	08S82122F23	CAP, CER. 27RJ-CH1H-CP
C5304	08S65128F78	CAP, CER. 223K-B1H -CP
C5305	08S65128F88	CAP, CER 104K-B1H -CP
C5306	08S65128F88	CAP, CER 104K-B1H -CP
C5307	08S82122F37	CAP, CER. 101J-CH1H-CP
C5308	08S65128F88	CAP, CER 104K-B1H -CP
C5309	08S45677W25	CAP, CER 36RJ-CH1H-CP
C5310	08S45677W25	CAP, CER 36RJ-CH1H-CP
C5311	08S65128F78	CAP, CER. 223K-B1H -CP
C5312	08S45677W25	CAP, CER 36RJ-CH1H-CP
C5313	08S45677W25	CAP, CER 36RJ-CH1H-CP
C5314	08S65128F78	CAP, CER. 223K-B1H -CP
C5315	08S65128F88	CAP, CER 104K-B1H -CP
C5316	08S65128F78	CAP, CER. 223K-B1H -CP
C5317	08S65128F78	CAP, CER. 223K-B1H -CP
C5318	08S82122F13	CAP, CER. 10RD-CH1H-CP
C5319	08S82122F13	CAP, CER. 10RD-CH1H-CP
C5320	08S65128F78	CAP, CER. 223K-B1H -CP
C5321	08S65128F69	CAP, CER. 103K-B1H -CP
C5322	08S65128F88	CAP, CER 104K-B1H -CP
C5323	08S65128F88	CAP, CER 104K-B1H -CP
C5324	08S65128F88	CAP, CER 104K-B1H -CP
C5327	08S45677W58	CAP, CER 821J-CH1H-CP
C5328	08S45677W58	CAP, CER 821J-CH1H-CP
C5329	08S45677W58	CAP, CER 821J-CH1H-CP
C5330	08S45677W58	CAP, CER 821J-CH1H-CP

Symbol No.	Part No.	Description
C5335	08S65128F79	CAP, CER. 273K-B1H -CP
C5336	08S45676W66	CAP, CER. 272K-B1H -CP
C5337	08S65128F88	CAP, CER 104K-B1H -CP
C5601	08S65128F78	CAP, CER. 223K-B1H -CP
C5602	08S65128F78	CAP, CER. 223K-B1H -CP
C5603	08S65128F78	CAP, CER. 223K-B1H -CP
C5604	08S65128F78	CAP, CER. 223K-B1H -CP
C5605	08S65128F78	CAP, CER. 223K-B1H -CP
C5606	08S65128F78	CAP, CER. 223K-B1H -CP
C5607	08S65128F78	CAP, CER. 223K-B1H -CP
C5608	08S65128F78	CAP, CER. 223K-B1H -CP
C5609	08S65128F78	CAP, CER. 223K-B1H -CP
C5610	08S65128F78	CAP, CER. 223K-B1H -CP
C5611	08S65128F78	CAP, CER. 223K-B1H -CP
C5612	08S65128F78	CAP, CER. 223K-B1H -CP
C5613	08S65128F78	CAP, CER. 223K-B1H -CP
C5614	08S65128F78	CAP, CER. 223K-B1H -CP
C5615	08S65128F78	CAP, CER. 223K-B1H -CP
C5616	08S65128F78	CAP, CER. 223K-B1H -CP
C5617	08S82122F13	CAP, CER. 10RD-CH1H-CP
C5618	08S82122F13	CAP, CER. 10RD-CH1H-CP
C5620	08S65128F88	CAP, CER 104K-B1H -CP
C5621	08S65128F88	CAP, CER 104K-B1H -CP
C5622	08S65128F88	CAP, CER 104K-B1H -CP
C5623	08S65128F88	CAP, CER 104K-B1H -CP
C5624	08S65128F88	CAP, CER 104K-B1H -CP
C5625	08S65128F88	CAP, CER 104K-B1H -CP
C5626	08S65128F88	CAP, CER 104K-B1H -CP
C5627	08S65128F78	CAP, CER. 223K-B1H -CP
C5628	08S65128F69	CAP, CER. 103K-B1H -CP
C5629	08S65128F69	CAP, CER. 103K-B1H -CP
C8001	08S65128F78	CAP, CER. 223K-B1H -CP
C8002	08S65128F78	CAP, CER. 223K-B1H -CP
C8003	08S65128F78	CAP, CER. 223K-B1H -CP
C8007	08S45676W65	CAP, CER. 222K-B1H -CP
C8008	08S65128F88	CAP, CER 104K-B1H -CP
C8009	08S65128F78	CAP, CER. 223K-B1H -CP
C8010	08S65128F79	CAP, CER. 273K-B1H -CP
C8011	08S65128F79	CAP, CER. 273K-B1H -CP
C8012	08S65128F88	CAP, CER 104K-B1H -CP
C8013	08S35350Y05	CAP, CER 105K-B1A -CP
C8014	08T55390W34	CAP, TF 274J-1H -R5
C8801	08S82122F43	CAP, CER. 181J-CH1H-CP
C8802	08S82122F43	CAP, CER. 181J-CH1H-CP
C8803	08S82122F43	CAP, CER. 181J-CH1H-CP
C9501	08S65128F88	CAP, CER 104K-B1H -CP
C9502	08S35350Y05	CAP, CER 105K-B1A -CP
C9504	08S65128F88	CAP, CER 104K-B1H -CP
C9506	08S65128F88	CAP, CER 104K-B1H -CP

DHA-S680/DHA-S680P

Symbol No.	Part No.	Description
C9507	08S65128F88	CAP, CER 104K-B1H -CP
C9508	08S65128F88	CAP, CER 104K-B1H -CP
C9509	08S82122F29	CAP, CER. 47RJ-CH1H-CP
C9510	08S82122F42	CAP, CER. 161J-CH1H-CP
C9511	08S82122F19	CAP, CER. 18RJ-CH1H-CP
C9512	08S65128F78	CAP, CER. 223K-B1H -CP
C9513	08S65128F78	CAP, CER. 223K-B1H -CP
C9514	08S65128F78	CAP, CER. 223K-B1H -CP
C9515	08S65128F78	CAP, CER. 223K-B1H -CP
C9516	08S65128F78	CAP, CER. 223K-B1H -CP
C9517	08S65128F78	CAP, CER. 223K-B1H -CP
C9518	08S65128F78	CAP, CER. 223K-B1H -CP
C9519	08S65128F78	CAP, CER. 223K-B1H -CP
C9520	08S65128F78	CAP, CER. 223K-B1H -CP
C9521	08S65128F78	CAP, CER. 223K-B1H -CP
C9522	08S82122F13	CAP, CER. 10RD-CH1H-CP
C9523	08S65128F88	CAP, CER 104K-B1H -CP
C9524	08S65128F78	CAP, CER. 223K-B1H -CP
C9525	08S65128F78	CAP, CER. 223K-B1H -CP
C9526	08S65128F78	CAP, CER. 223K-B1H -CP
C9527	08S65128F78	CAP, CER. 223K-B1H -CP
C9528	08S65128F78	CAP, CER. 223K-B1H -CP
C9529	08S65128F78	CAP, CER. 223K-B1H -CP
C9530	08S45676W85	CAP, CER 104K-B1C -CP
C9532	08S65128F78	CAP, CER. 223K-B1H -CP
C9533	08S65128F78	CAP, CER. 223K-B1H -CP
C9534	08S65128F78	CAP, CER. 223K-B1H -CP
C9535	08S65128F78	CAP, CER. 223K-B1H -CP
C9536	08S65128F88	CAP, CER 104K-B1H -CP
C9537	08S65128F69	CAP, CER. 103K-B1H -CP
C9538	08S65128F69	CAP, CER. 103K-B1H -CP
C9539	08S65128F69	CAP, CER. 103K-B1H -CP
E2001	23T25615Y23	CAP, ZT 33R-1C -E6
E2002	23T25615Y43	CAP, ZT 22R-1V -E6
E2003	23T25615Y43	CAP, ZT 22R-1V -E6
E2004	23T25615Y57	CAP, ZT 3R3-1H -E2
E2005	23T25615Y57	CAP, ZT 3R3-1H -E2
E2006	23T25615Y31	CAP, ZT 4R7-1E -E2
E2007	23T25615Y31	CAP, ZT 4R7-1E -E2
E2008	23T25615Y23	CAP, ZT 33R-1C -E6
E2009	23T25615Y23	CAP, ZT 33R-1C -E6
E2010	23T25615Y57	CAP, ZT 3R3-1H -E2
E2011	23T25615Y23	CAP, ZT 33R-1C -E6
E2101	23T35735Y02	CAP, MVY 101-1C -E6
E2102	23S65134W55	CAP, ELY 22R-1V(6)-E6
E2201	23T35735Y02	CAP, MVY 101-1C -E6
E5001	23T15765Y78	CAP, TAN 22R-1C-E -E1
E5002	23T15765Y78	CAP, TAN 22R-1C-E -E1
E5003	23T15765Y78	CAP, TAN 22R-1C-E -E1

Symbol No.	Part No.	Description
E5004	23T15765Y23	CAP, TAN 47R-1C-G -E2
E5301	23T15765Y78	CAP, TAN 22R-1C-E -E1
E5302	23T15765Y78	CAP, TAN 22R-1C-E -E1
E5303	23T25615Y21	CAP, ZT 10R-1C -E2
E5304	23S65134W31	CAP, ELY 10R-1C(4)-E2
E5305	23S65134W31	CAP, ELY 10R-1C(4)-E2
E5306	23S65134W31	CAP, ELY 10R-1C(4)-E2
E5307	23S65134W31	CAP, ELY 10R-1C(4)-E2
E5308	23T25615Y43	CAP, ZT 22R-1V -E6
E5309	23S65134W32	CAP, ELY 22R-1C(5)-E3
E5310	23S65134W32	CAP, ELY 22R-1C(5)-E3
E5311	23S65134W32	CAP, ELY 22R-1C(5)-E3
E5312	23S65134W32	CAP, ELY 22R-1C(5)-E3
E5313	23T15765Y78	CAP, TAN 22R-1C-E -E1
E5314	23T25615Y21	CAP, ZT 10R-1C -E2
E5315	23T25615Y21	CAP, ZT 10R-1C -E2
E5316	23T25615Y43	CAP, ZT 22R-1V -E6
E5327	23T35735Y02	CAP, MVY 101-1C -E6
E5601	23T15765Y23	CAP, TAN 47R-1C-G -E2
E5602	23T15765Y23	CAP, TAN 47R-1C-G -E2
E5603	23T15765Y78	CAP, TAN 22R-1C-E -E1
E8001	23T35505W10	CAP, ELY 472-1C +
E8002	23T35735Y02	CAP, MVY 101-1C -E6
E8003	23T35735Y02	CAP, MVY 101-1C -E6
E8004	23T35735Y02	CAP, MVY 101-1C -E6
E8006	23T35735Y02	CAP, MVY 101-1C -E6
E8007	23T35735Y02	CAP, MVY 101-1C -E6
E8008	23S65134W45	CAP, ELY 33R-1E(6)-E6
E8009	23T35735Y02	CAP, MVY 101-1C -E6
E8010	23S65134W45	CAP, ELY 33R-1E(6)-E6
E8011	23S65134W72	CAP, ELY 3R3-1H(4)-E2
E8012	23S65134W13	CAP, ELY 101-OJ(6)-E6
E8013	23S65134W13	CAP, ELY 101-OJ(6)-E6
E8014	23T35735Y02	CAP, MVY 101-1C -E6
E8015	23S65134W13	CAP, ELY 101-OJ(6)-E6
E8016	23S65134W64	CAP, ELY R47-1H(3)-E2
E8017	23S65134W65	CAP, ELY 1R0-1H(3)-E2
E8018	23S65134W45	CAP, ELY 33R-1E(6)-E6
E8019	23T35735Y02	CAP, MVY 101-1C -E6
E8020	23T35735Y02	CAP, MVY 101-1C -E6
E8021	23T35735Y02	CAP, MVY 101-1C -E6
E8022	23T35735Y02	CAP, MVY 101-1C -E6
E8023	23T35735Y02	CAP, MVY 101-1C -E6
E8024	23T35735Y02	CAP, MVY 101-1C -E6
E8025	23T35735Y02	CAP, MVY 101-1C -E6
E8028	23T35735Y02	CAP, MVY 101-1C -E6
E8029	23T35735Y02	CAP, MVY 101-1C -E6
E8030	23T35735Y02	CAP, MVY 101-1C -E6
E8032	23T35735Y02	CAP, MVY 101-1C -E6



DHA-S680/DHA-S680P

Symbol No.	Part No.	Description
E8033	23T35735Y02	CAP, MVY 101-1C -E6
E8034	23T35735Y02	CAP, MVY 101-1C -E6
E8035	23T35735Y02	CAP, MVY 101-1C -E6
E8036	23T35735Y02	CAP, MVY 101-1C -E6
E8043	23T35735Y02	CAP, MVY 101-1C -E6
E8044	23T35735Y02	CAP, MVY 101-1C -E6
E8045	23T35735Y02	CAP, MVY 101-1C -E6
E8053	23T35735Y02	CAP, MVY 101-1C -E6
E8063	23T35735Y02	CAP, MVY 101-1C -E6
E9501	23S65134W46	CAP, ELY 47R-1E(6)-E6
E9503	23S65134W44	CAP, ELY 22R-1E(6)-E6
E9504	23S65134W47	CAP, ELY 101-1E(8)-E6
E9505	23S65134W46	CAP, ELY 47R-1E(6)-E6
E9506	23S65134W38	CAP, ELY 471-1C(1)-EA
E9508	23T15765Y23	CAP, TAN 47R-1C-G -E2
E9509	23T15765Y23	CAP, TAN 47R-1C-G -E2

Resistors

R1001	06S45674W33	RES, RK 101J 1/10 -CP
R2001	06S15594Y12	RES, RK 394F 1/10 -CP
R2002	06S15593Y69	RES, RK 682F 1/10 -CP
R2003	06S15593Y69	RES, RK 682F 1/10 -CP
R2004	06S15593Y69	RES, RK 682F 1/10 -CP
R2005	06S15593Y69	RES, RK 682F 1/10 -CP
R2006	06S45674W54	RES, RK 751J 1/10 -CP
R2007	06T75432W17	RES, RK 244J 1/8 -CP
R2008	06S45674W81	RES, RK 103J 1/10 -CP
R2009	06S15304Y57	RES, RK 222J 1/10 -CP
R2010	06S45674W89	RES, RK 223J 1/10 -CP
R2011	06S45674W75	RES, RK 562J 1/10 -CP
R2012	06S45674W54	RES, RK 751J 1/10 -CP
R2013	06T75432W17	RES, RK 244J 1/8 -CP
R2014	06S45674W81	RES, RK 103J 1/10 -CP
R2015	06S15304Y57	RES, RK 222J 1/10 -CP
R2016	06S45674W89	RES, RK 223J 1/10 -CP
R2017	06S45674W75	RES, RK 562J 1/10 -CP
R2018	06S45674W97	RES, RK 473J 1/10 -CP
R2019	06S15594Y16	RES, RK 564F 1/10 -CP
R2020	06S15594Y19	RES, RK 754F 1/10 -CP
R2025	06S45675W43	RES, RK JUMPER1/10-CP
R2102	06S45674W79	RES, RK 822J 1/10 -CP
R2103	06S45674W21	RES, RK 33RJ 1/10 -CP
R2122	06S45674W35	RES, RK 121J 1/10 -CP
R2131	06S45674W35	RES, RK 121J 1/10 -CP
R2132	06S45674W35	RES, RK 121J 1/10 -CP
R2133	06S45674W35	RES, RK 121J 1/10 -CP
R2137	06S45674W49	RES, RK 471J 1/10 -CP

Symbol No.	Part No.	Description
R2150	06S45674W25	RES, RK 47RJ 1/10 -CP
R2201	06S15593Y51	RES, RK 122F 1/10 -CP
R2202	06S15593Y63	RES, RK 392F 1/10 -CP
R2203	06S15593Y75	RES, RK 123F 1/10 -CP
R2204	06S15593Y75	RES, RK 123F 1/10 -CP
R2205	06S15593Y63	RES, RK 392F 1/10 -CP
R2206	06S15593Y51	RES, RK 122F 1/10 -CP
R2207	06S15593Y29	RES, RK 151F 1/10 -CP
R2208	06S45674W97	RES, RK 473J 1/10 -CP
R2209	06S45674W97	RES, RK 473J 1/10 -CP
R2210	06S45674W97	RES, RK 473J 1/10 -CP
R2214	06S45674W35	RES, RK 121J 1/10 -CP
R2221	06S15593Y92	RES, RK 623F 1/10 -CP
R2227	06S45674W09	RES, RK 10RJ 1/10 -CP
R5001	06S45674W21	RES, RK 33RJ 1/10 -CP
R5002	06S45674W29	RES, RK 68RJ 1/10 -CP
R5006	06S45674W81	RES, RK 103J 1/10 -CP
R5009	06S45674W81	RES, RK 103J 1/10 -CP
R5012	06S45674W09	RES, RK 10RJ 1/10 -CP
R5013	06S45674W29	RES, RK 68RJ 1/10 -CP
R5014	06S45674W29	RES, RK 68RJ 1/10 -CP
R5015	06S45674W81	RES, RK 103J 1/10 -CP
R5016	06S45674W81	RES, RK 103J 1/10 -CP
R5017	06S45675W43	RES, RK JUMPER1/10-CP
R5018	06S45674W97	RES, RK 473J 1/10 -CP
R5027	06S45674W81	RES, RK 103J 1/10 -CP
R5028	06S45674W57	RES, RK 102J 1/10 -CP
R5029	06S45674W57	RES, RK 102J 1/10 -CP
R5036	06S45674W29	RES, RK 68RJ 1/10 -CP
R5037	06S15594Y17	RES, RK 624F 1/10 -CP
R5046	06S45674W81	RES, RK 103J 1/10 -CP
R5051	06S45674W81	RES, RK 103J 1/10 -CP
R5301	06S45675W30	RES, RK 105J 1/10 -CP
R5302	06S45675W22	RES, RK 474J 1/10 -CP
R5303	06S45675W18	RES, RK 334J 1/10 -CP
R5304	06S45674W81	RES, RK 103J 1/10 -CP
R5305	06S45674W85	RES, RK 153J 1/10 -CP
R5306	06S45674W81	RES, RK 103J 1/10 -CP
R5307	06S45674W79	RES, RK 822J 1/10 -CP
R5308	06S45674W91	RES, RK 273J 1/10 -CP
R5309	06S45674W61	RES, RK 152J 1/10 -CP
R5310	06S45674W65	RES, RK 222J 1/10 -CP
R5311	06S45674W65	RES, RK 222J 1/10 -CP
R5312	06S45674W61	RES, RK 152J 1/10 -CP
R5313	06S70072F19	RES, CP .39R-J-1/4-CP
R5314	06S70072F19	RES, CP .39R-J-1/4-CP
R5315	06S70072F19	RES, CP .39R-J-1/4-CP
R5316	06S70072F19	RES, CP .39R-J-1/4-CP
R5317	06S45674W65	RES, RK 222J 1/10 -CP

# DHA-S680/DHA-S680P

Symbol No.	Part No.	Description
R5318	06S45674W80	RES, RK 912J 1/10 -CP
R5319	06S45674W58	RES, RK 112J 1/10 -CP
R5320	06S45674W73	RES, RK 472J 1/10 -CP
R5321	06S45674W97	RES, RK 473J 1/10 -CP
R5322	06S45674W97	RES, RK 473J 1/10 -CP
R5323	06S15593Y81	RES, RK 223F 1/10 -CP
R5324	06S15593Y81	RES, RK 223F 1/10 -CP
R5325	06S15593Y81	RES, RK 223F 1/10 -CP
R5326	06S15593Y81	RES, RK 223F 1/10 -CP
R5328	06S15593Y81	RES, RK 223F 1/10 -CP
R5329	06S45674W09	RES, RK 10RJ 1/10 -CP
R5330	06S15593Y81	RES, RK 223F 1/10 -CP
R5331	06S15593Y81	RES, RK 223F 1/10 -CP
R5332	06S15593Y81	RES, RK 223F 1/10 -CP
R5333	06S45674W09	RES, RK 10RJ 1/10 -CP
R5335	06S45674W81	RES, RK 103J 1/10 -CP
R5336	06S45674W81	RES, RK 103J 1/10 -CP
R5338	06S45674W81	RES, RK 103J 1/10 -CP
R5339	06S45674W25	RES, RK 47RJ 1/10 -CP
R5340	06S45674W89	RES, RK 223J 1/10 -CP
R5341	06S45674W89	RES, RK 223J 1/10 -CP
R5342	06S45674W25	RES, RK 47RJ 1/10 -CP
R5343	06S70072F05	RES, CP .10R-J-1/4-CP
R5344	06S70072F05	RES, CP .10R-J-1/4-CP
R5345	06S45674W49	RES, RK 471J 1/10 -CP
R5346	06S45674W49	RES, RK 471J 1/10 -CP
R5347	06S15594Y12	RES, RK 394F 1/10 -CP
R5348	06S45674W54	RES, RK 751J 1/10 -CP
R5349	06S45674W54	RES, RK 751J 1/10 -CP
R5350	06S45674W45	RES, RK 331J 1/10 -CP
R5351	06S15594Y14	RES, RK 474F 1/10 -CP
R5352	06S15594Y17	RES, RK 624F 1/10 -CP
R5353	06S45674W54	RES, RK 751J 1/10 -CP
R5354	06S45674W54	RES, RK 751J 1/10 -CP
R5355	06S45674W25	RES, RK 47RJ 1/10 -CP
R5356	06S45674W89	RES, RK 223J 1/10 -CP
R5357	06S45674W25	RES, RK 47RJ 1/10 -CP
R5358	06S45674W89	RES, RK 223J 1/10 -CP
R5359	06S70072F25	RES, CP .68R-J-1/4-CP
R5360	06S70072F25	RES, CP .68R-J-1/4-CP
R5361	06S45674W81	RES, RK 103J 1/10 -CP
R5362	06S45674W81	RES, RK 103J 1/10 -CP
○ R5363	06S45674W73	RES, RK 472J 1/10 -CP
R5365	06S70072F53	RES, CP .102-J-1/4-CP
R5366	06S45675W43	RES, RK JUMPER1/10-CP
R5367	06S45675W43	RES, RK JUMPER1/10-CP
△ R5369	06S45674W73	RES, RK 472J 1/10 -CP
● R5370	06S45674W73	RES, RK 472J 1/10 -CP
R5372	06S45674W17	RES, RK 22RJ 1/10 -CP

Symbol No.	Part No.	Description
R5373	06S45674W97	RES, RK 473J 1/10 -CP
R5377	06S45674W81	RES, RK 103J 1/10 -CP
R5380	06S45675W43	RES, RK JUMPER1/10-CP
R5382	06S15594Y13	RES, RK 434F 1/10 -CP
R5383	06S15593Y92	RES, RK 623F 1/10 -CP
R5385	06S45674W77	RES, RK 682J 1/10 -CP
R5386	06S45674W77	RES, RK 682J 1/10 -CP
R5387	06S45674W63	RES, RK 182J 1/10 -CP
R5388	06S45674W63	RES, RK 182J 1/10 -CP
R5389	06S35083Y22	RES, RK 561F 1/4 -CP
R5390	06S45674W97	RES, RK 473J 1/10 -CP
R5391	06S45674W97	RES, RK 473J 1/10 -CP
R5392	06S45674W97	RES, RK 473J 1/10 -CP
R5394	06S45674W97	RES, RK 473J 1/10 -CP
R5395	06S45674W97	RES, RK 473J 1/10 -CP
R5396	06S45675W06	RES, RK 104J 1/10 -CP
R5397	06S15593Y73	RES, RK 103F 1/10 -CP
R5398	06S45674W97	RES, RK 473J 1/10 -CP
R5399	06S35083Y23	RES, RK 681F 1/4 -CP
R5400	06S45674W97	RES, RK 473J 1/10 -CP
R5601	06S45674W29	RES, RK 68RJ 1/10 -CP
R5602	06S45675W30	RES, RK 105J 1/10 -CP
R5603	06S45674W49	RES, RK 471J 1/10 -CP
R5606	06S45674W81	RES, RK 103J 1/10 -CP
R5608	06S45674W81	RES, RK 103J 1/10 -CP
R5609	06S45674W81	RES, RK 103J 1/10 -CP
R5610	06S45674W81	RES, RK 103J 1/10 -CP
R5612	06S45674W25	RES, RK 47RJ 1/10 -CP
R5615	06S15594Y15	RES, RK 514F 1/10 -CP
R5616	06S15594Y10	RES, RK 334F 1/10 -CP
R5617	06S15594Y09	RES, RK 304F 1/10 -CP
R5620	06S45674W25	RES, RK 47RJ 1/10 -CP
R5621	06S45674W33	RES, RK 101J 1/10 -CP
R5622	06S45674W33	RES, RK 101J 1/10 -CP
R5646	06S45674W81	RES, RK 103J 1/10 -CP
R5647	06S45674W75	RES, RK 562J 1/10 -CP
R5648	06S45674W57	RES, RK 102J 1/10 -CP
R5666	06S45674W81	RES, RK 103J 1/10 -CP
R5667	06S45674W81	RES, RK 103J 1/10 -CP
R5668	06S45674W81	RES, RK 103J 1/10 -CP
R5669	06S45674W81	RES, RK 103J 1/10 -CP
R5670	06S45674W81	RES, RK 103J 1/10 -CP
R5671	06S45674W81	RES, RK 103J 1/10 -CP
R5672	06S45674W81	RES, RK 103J 1/10 -CP
R5673	06S45674W81	RES, RK 103J 1/10 -CP
R5674	06S45674W81	RES, RK 103J 1/10 -CP
R5675	06S45674W75	RES, RK 562J 1/10 -CP
R5676	06S45674W57	RES, RK 102J 1/10 -CP
R5679	06S45675W43	RES, RK JUMPER1/10-CP

NOTE : ○ : For North American Model Only, ● : For General Foreign Model Only,  
 △ : For Japanese Model Only, Others : Common.

DHA-S680/DHA-S680P

Symbol No.	Part No.	Description
R5681	06S45675W43	RES, RK JUMPER1/10-CP
R5690	06S45674W27	RES, RK 56RJ 1/10 -CP
R5691	06S45674W45	RES, RK 331J 1/10 -CP
R6002	06S45674W33	RES, RK 101J 1/10 -CP
R6003	06S45674W33	RES, RK 101J 1/10 -CP
R6004	06S45674W33	RES, RK 101J 1/10 -CP
R6007	06S45675W43	RES, RK JUMPER1/10-CP
R6008	06S45674W33	RES, RK 101J 1/10 -CP
R6011	06S45674W33	RES, RK 101J 1/10 -CP
R6012	06S45674W33	RES, RK 101J 1/10 -CP
R6013	06S45674W33	RES, RK 101J 1/10 -CP
R8002	06S45675W06	RES, RK 104J 1/10 -CP
R8003	06S15594Y20	RES, RK 824F 1/10 -CP
R8005	06S15593Y49	RES, RK 102F 1/10 -CP
R8006	06S15593Y65	RES, RK 472F 1/10 -CP
R8007	06S15594Y19	RES, RK 754F 1/10 -CP
R8008	06S45674W90	RES, RK 243J 1/10 -CP
R8009	06S70072F73	RES, CP .682-J-1/4-CP
R8010	06S15594Y19	RES, RK 754F 1/10 -CP
R8011	06S70072F69	RES, CP .472-J-1/4-CP
R8012	06S45675W43	RES, RK JUMPER1/10-CP
R8013	06S15594Y19	RES, RK 754F 1/10 -CP
R8014	06S15593Y70	RES, RK 752F 1/10 -CP
R8015	06S70072F39	RES, CP .271-J-1/4-CP
R8016	06S70072F39	RES, CP .271-J-1/4-CP
R8017	06S70072F69	RES, CP .472-J-1/4-CP
R8021	06S45675W12	RES, RK 184J 1/10 -CP
R8022	06S35095Y08	RES, RK JUMPER 1/4-CP
R8024	06S15593Y59	RES, RK 272F 1/10 -CP
R8025	06S15593Y55	RES, RK 182F 1/10 -CP
R8026	06S15593Y49	RES, RK 102F 1/10 -CP
R8028	06S35095Y08	RES, RK JUMPER 1/4-CP
R8030	06S15594Y16	RES, RK 564F 1/10 -CP
R8031	06S15594Y20	RES, RK 824F 1/10 -CP
R8034	06S15594Y19	RES, RK 754F 1/10 -CP
R8035	06S15594Y10	RES, RK 334F 1/10 -CP
R8036	06S15593Y99	RES, RK 124F 1/10 -CP
R8037	06S45674W99	RES, RK 563J 1/10 -CP
R8038	06S45674W57	RES, RK 102J 1/10 -CP
R8039	06S45674W97	RES, RK 473J 1/10 -CP
R8040	06S45674W97	RES, RK 473J 1/10 -CP
R8041	06S45674W97	RES, RK 473J 1/10 -CP
R8042	06S45674W97	RES, RK 473J 1/10 -CP
R8801	06S45674W33	RES, RK 101J 1/10 -CP
R8802	06S45674W33	RES, RK 101J 1/10 -CP
R8803	06S45674W33	RES, RK 101J 1/10 -CP
R8804	06S45674W31	RES, RK 82RJ 1/10 -CP
R8805	06S45674W31	RES, RK 82RJ 1/10 -CP
R8806	06S45674W31	RES, RK 82RJ 1/10 -CP

Symbol No.	Part No.	Description
R9501	06S45674W81	RES, RK 103J 1/10 -CP
R9502	06S15593Y18	RES, RK 51RF 1/10 -CP
R9503	06S15593Y21	RES, RK 68RF 1/10 -CP
R9505	06S15593Y59	RES, RK 272F 1/10 -CP
R9506	06S45674W81	RES, RK 103J 1/10 -CP
R9507	06S45675W02	RES, RK 683J 1/10 -CP
R9508	06S45674W81	RES, RK 103J 1/10 -CP
R9509	06S70072F45	RES, CP .471-J-1/4-CP
R9510	06S45674W17	RES, RK 22RJ 1/10 -CP
R9511	06S95432W51	RES, RK 391J 1/8 -CP
R9512	06S45674W93	RES, RK 333J 1/10 -CP
R9513	06S15593Y43	RES, RK 561F 1/10 -CP
R9514	06S15593Y51	RES, RK 122F 1/10 -CP
R9515	06S15593Y51	RES, RK 122F 1/10 -CP
R9516	06S70072F41	RES, CP .331-J-1/4-CP
R9517	06S70072F41	RES, CP .331-J-1/4-CP
R9518	06S35083Y11	RES, RK 68RF 1/4 -CP
R9519	06S70072F77	RES, CP .103-J-1/4-CP
R9520	06S95432W51	RES, RK 391J 1/8 -CP
R9521	06S45674W63	RES, RK 182J 1/10 -CP
R9522	06S45674W81	RES, RK 103J 1/10 -CP
R9524	06S45674W81	RES, RK 103J 1/10 -CP
R9525	06S15594Y10	RES, RK 334F 1/10 -CP
R9526	06S45674W09	RES, RK 10RJ 1/10 -CP
R9527	06S45674W81	RES, RK 103J 1/10 -CP
R9528	06S45674W81	RES, RK 103J 1/10 -CP
R9529	06S15594Y12	RES, RK 394F 1/10 -CP
R9530	06S95434W38	RES, RK 36RJ 1/4 -CP
R9531	06S15594Y15	RES, RK 514F 1/10 -CP
R9534	06S45674W29	RES, RK 68RJ 1/10 -CP
R9535	06S45674W41	RES, RK 221J 1/10 -CP
R9537	06S45674W81	RES, RK 103J 1/10 -CP
R9538	06S45674W81	RES, RK 103J 1/10 -CP
R9539	06S45674W33	RES, RK 101J 1/10 -CP
R9545	06S45675W43	RES, RK JUMPER1/10-CP
RA2201	06S45591W19	RES, ARY MNR68RJ 4-CP
RA5001	06S45591W11	RES, ARY MNR22RJ 4-CP
RA5002	06S45591W04	RES, ARY MNR103J 4-CP
RA5004	06S45591W19	RES, ARY MNR68RJ 4-CP
RA5005	06S45591W11	RES, ARY MNR22RJ 4-CP
RA5006	06S45591W11	RES, ARY MNR22RJ 4-CP
RA5007	06S45591W11	RES, ARY MNR22RJ 4-CP
RA5008	06S45591W11	RES, ARY MNR22RJ 4-CP
RA5009	06S45591W11	RES, ARY MNR22RJ 4-CP
RA5010	06S45591W11	RES, ARY MNR22RJ 4-CP
RA5011	06S45591W11	RES, ARY MNR22RJ 4-CP
RA5012	06S45591W11	RES, ARY MNR22RJ 4-CP
RA5013	06S45591W11	RES, ARY MNR22RJ 4-CP
RA5014	06S45591W11	RES, ARY MNR22RJ 4-CP

DHA-S680/DHA-S680P

Symbol No.	Part No.	Description
RA5015	06S45591W11	RES, ARY MNR22RJ 4-CP
RA5016	06S45591W11	RES, ARY MNR22RJ 4-CP
RA5017	06S45591W11	RES, ARY MNR22RJ 4-CP
RA5018	06S45591W11	RES, ARY MNR22RJ 4-CP
RA5602	06S15771Y13	RES, ARYEXB28V101J-CP
RA5603	06S15771Y13	RES, ARYEXB28V101J-CP
RA5604	06S15771Y13	RES, ARYEXB28V101J-CP
RA5605	06S15771Y13	RES, ARYEXB28V101J-CP
RA5606	06S15771Y13	RES, ARYEXB28V101J-CP
RA5607	06S45591W07	RES, ARY MNR101J 4-CP
RA5608	06S45591W12	RES, ARY MNR47RJ 4-CP
RA5609	06S45591W12	RES, ARY MNR47RJ 4-CP
RA5610	06S45591W12	RES, ARY MNR47RJ 4-CP
RA5611	06S45591W17	RES, ARY MNR56RJ 4-CP
RA5612	06S45591W17	RES, ARY MNR56RJ 4-CP
RA5613	06S45591W17	RES, ARY MNR56RJ 4-CP
RA5614	06S45591W17	RES, ARY MNR56RJ 4-CP
RA5615	06S45591W17	RES, ARY MNR56RJ 4-CP
RA5616	06S45591W17	RES, ARY MNR56RJ 4-CP
RA5617	06S45591W17	RES, ARY MNR56RJ 4-CP
RA5618	06S45591W17	RES, ARY MNR56RJ 4-CP
RA5619	06S45591W12	RES, ARY MNR47RJ 4-CP
RA5620	06S45591W12	RES, ARY MNR47RJ 4-CP
RA5621	06S45591W12	RES, ARY MNR47RJ 4-CP
RA5622	06S45591W12	RES, ARY MNR47RJ 4-CP
RA5623	06S15771Y13	RES, ARYEXB28V101J-CP
RA5624	06S15771Y13	RES, ARYEXB28V101J-CP
RA5625	06S15771Y13	RES, ARYEXB28V101J-CP
RA5626	06S15771Y13	RES, ARYEXB28V101J-CP
RA5627	06S15771Y13	RES, ARYEXB28V101J-CP
RA5628	06S15771Y13	RES, ARYEXB28V101J-CP
RA5629	06S15771Y13	RES, ARYEXB28V101J-CP
RA5630	06S15771Y13	RES, ARYEXB28V101J-CP
RA5631	06S45591W07	RES, ARY MNR101J 4-CP
RA9501	06S15771Y11	RES, ARYEXB28V68RJ-CP
RA9502	06S15771Y11	RES, ARYEXB28V68RJ-CP
RA9503	06S15771Y05	RES, ARYEXB28V22RJ-CP
RA9504	06S15771Y05	RES, ARYEXB28V22RJ-CP
RA9505	06S15771Y05	RES, ARYEXB28V22RJ-CP
RA9506	06S15771Y05	RES, ARYEXB28V22RJ-CP
RA9507	06S15771Y11	RES, ARYEXB28V68RJ-CP
RA9508	06S15771Y11	RES, ARYEXB28V68RJ-CP
RA9509	06S15771Y11	RES, ARYEXB28V68RJ-CP
RA9510	06S15771Y11	RES, ARYEXB28V68RJ-CP
RA9511	06S15771Y11	RES, ARYEXB28V68RJ-CP
RA9512	06S15771Y11	RES, ARYEXB28V68RJ-CP
RA9513	06S15771Y11	RES, ARYEXB28V68RJ-CP
RA9514	06S45591W17	RES, ARY MNR56RJ 4-CP

Symbol No.	Part No.	Description
<b>Connector</b>		
CB5601	09T15153Y50	FFC, FH12-50S -ER
<b>Miscellaneous</b>		
CB8001	09T13515W04	WTB, 5569-04A1 -DB(POWER)
CB8002	09T55071W01	CONN, TCP9389 BLACK(Ai-NET OUT)
CB8003	09T55071W02	CONN, TCP9389 GREY(Ai-NET IN)
CB8004	09T75119W02	JAC, HSJ6063-012 -DB (REMOTE EYE IN)
CB8005	09T45394Y01	RCA, JPJ8411-01-32-DB(AUDIO OUT)
CB8007	09T45393Y01	RCA, JPJ2074-01004-DB(VIDEO OUT)
IC2102	51T75111W01	TOTX193 -DS(OPT OUT)

### Cabinet Assembly Parts List (Only Difference)

NOTE : For the Parts not mentioned, refer to the Service Manual for  
DHA-S680/DHA-S680P -REV- (Part No. 68E33190S01)  
注記 : 記載されていない部品については、サービスマニュアル  
DHA-S680/DHA-S680P -REV- (68E33190S01)を参照願います。

Model		DHA-S680/DHA-S680P -REV-		DHA-S680/DHA-S680P -REV 2-		
Symbol No.	Index	Part No.	Description	Index	Part No.	Description
25		14S50096Y37	INS, CVR 19X15XT0.188		—	—